



OPERATION & CARE
MANUAL FOR
P-2010-S
BLANKET
WARMING
CABINET

BLANKET WARMING CABINET

TRANSPORT AND STORAGE

Transport and Storage Environmental Conditions (not to exceed 15 days)

- Ambient temperature range of -40° to +159°F (-40° to +70°C)
- Relative humidity range of 10% to 100%, including condensation
- Atmospheric pressure range of 50KPa to 106KPa

UNPACKING AND SET-UP

DELIVERY

The Pedigo Blanket Warming Cabinet has been thoroughly tested and inspected to insure only the highest quality unit is provided. Upon receipt, check for any possible shipping damage and report it at once to the delivering carrier. **See Transportation Damage and Claims section located in this manual.**

This appliance, complete with unattached items and accessories, may have been delivered in one or more packages. Check to ensure that all standard items and options have been received with each model as ordered.

Save all the information and instructions packed with the appliance. Complete and return the warranty card to the factory as soon as possible to assure prompt service in the event of a warranty parts and labor claim.

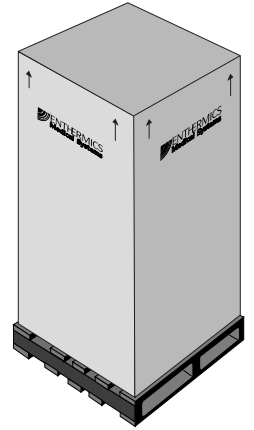
This manual must be read and understood by all people using or installing the equipment model. Contact the Pedigo service department if you have any questions concerning installation, operation, or maintenance.

NOTE: All claims for warranty must include the full model number and serial number of the unit.

UNPACKING

1. Carefully remove the appliance from the carton or crate.

NOTE: Do not discard the carton and other packaging material until you have inspected the unit for hidden damage and tested it for proper operation.



2. Read all instructions in this manual carefully before initiating the installation of this appliance.

DO NOT DISCARD THIS MANUAL. This manual is considered to be part of the appliance and is to be provided to the owner or manager of the business or to the person responsible for training operators. **Additional manuals are available from the Pedigo service department.**

3. Remove all protective plastic film, packaging materials, and accessories from the appliance before connecting electrical power.

SAFETY PROCEDURES AND PRECAUTIONS

Knowledge of proper procedures is essential to the safe operation of electrically and/or gas energized equipment. In accordance with generally accepted product safety labeling guidelines for potential hazards, the following signal words and symbols may be used throughout this manual.

DANGER Used to indicate the presence of a hazard that **will** cause severe personal injury, death, or substantial property damage if the warning included with this symbol is ignored.

WARNING Used to indicate the presence of a hazard that **can** cause personal injury, possible death, or major property damage if the warning included with this symbol is ignored.

CAUTION Used to indicate the presence of a hazard that can or will cause minor or moderate personal injury or property damage if the warning included with this symbol is ignored.

CAUTION Used to indicate the presence of a hazard that can or will cause minor personal injury, property damage, or a potential unsafe practice if the warning included with this symbol is ignored.

NOTE: Used to notify personnel of installation, operation, or maintenance information that is important but not hazard related.

1. Pedigo blanket warmers are intended for warming cotton blankets **ONLY**. No other use for this device is authorized or recommended.

Pedigo fluid warmers are **ONLY** intended for warming medical solutions for irrigation and injection. The **IRRIGATION MODE** should be selected for warming irrigation fluids, and the **INJECTION MODE** should be selected for warming injection fluids. Please refer to the labeling of the manufacturer of the products to be warmed regarding the recommended temperature and the duration of warming. No other use for this device is authorized or recommended.

2. This device is intended for use in commercial establishments where all operators are familiar with the purpose, limitations, and associated hazards of this device. Operating instructions and warnings must be read and understood by all operators and users.
3. Any troubleshooting guides, component views, and parts lists included in this manual are for general reference only and are intended for use by qualified technical personnel.
4. This manual should be considered a permanent part of this device. This manual and all supplied instructions, diagrams, schematics, parts lists, notices, and labels must remain with the device if the item is sold or moved to another location.

NOTE



For equipment delivered for use in any location regulated by the following directive:
DO NOT DISPOSE OF ELECTRICAL OR ELECTRONIC EQUIPMENT WITH OTHER MUNICIPAL WASTE.

NOTE

Pedigo warmers should not be left unattended for periods of more than 24 hours. In case of absences longer than 24 hours, disconnect the warmer from its power source.

PREPARATION

Before operating the cabinet, clean both the interior and exterior of the unit with a damp cloth and mild soap solution. Rinse carefully. Wipe with an appropriate disinfectant. Clean and install the blanket support assembly.

Environmental conditions for operation: Maximum room ambient temperature of 89°F (32°C).


ELECTRICAL INFORMATION

The power specifications are located on the unit identification nameplate. This nameplate is permanently attached to the unit and must be located to verify power requirements.



POWER REQUIREMENTS - P-2010-S

120 V.A.C. — 50/60 Hz, 1 ph
500 Watts, 4.0 Amps
Safety Class I Equipment
No Applied Parts

 NEMA 5-15P
15A - 125V Plug
Hospital Grade

UL FILE #	<input type="text"/>	MADE IN USA
MODEL	<input type="text"/>	
WATTS	<input type="text"/>	
VOLTS	<input type="text"/> 1 PH <input type="text"/> Hz	
SERIAL#	<input type="text"/>	

Grounding reliability can only be achieved when equipment is connected to an equivalent receptacle marked "Hospital Grade."



Protective Earth
Ground Symbol

Medical Equipment classified by Underwriters Laboratories with Respect to Electrical Shock, Fire and Mechanical Hazards only, in Accordance with UL 2601-1 and CAN/CSA C22.2 No. 601.1.





UL File No.
E201645



Trouble shooting for possible EMC interference

- Main power quality should be that of a typical commercial or hospital environment
- Power frequency magnetic fields should be at levels characteristic of a typical location in a commercial or hospital environment



Hazardous
Voltage Present

DANGER	
	AT NO TIME SHOULD THE INTERIOR OR EXTERIOR BE STEAM CLEANED, HOSED DOWN, OR FLOODED WITH WATER OR LIQUID SOLUTION OF ANY KIND. DO NOT USE WATER JET TO CLEAN.
	SEVERE DAMAGE OR ELECTRICAL HAZARD COULD RESULT.
	WARRANTY BECOMES VOID IF APPLIANCE IS FLOODED

	DANGER
	ENSURE POWER SOURCE MATCHES VOLTAGE STAMPED ON APPLIANCE NAMEPLATE.

GENERAL INFORMATION



This warming cabinet is designed to elevate and maintain blanket temperatures to a level which will increase patient comfort.



The single-chambered warming cabinet is constructed with 20 gauge stainless steel exterior casing and door with handle and hinges designed to withstand heavy usage. The cabinet is warmed using the patented Halo Heat® low-heat-density electrothermal cable array. The electrothermal cable is positioned in the floor and two sides of the warming cabinet, providing even heating of the interior chamber. The interior chamber temperature is regulated by a thermostat. The design and

operational characteristics of the cabinet eliminate the need for a heat circulating fan.

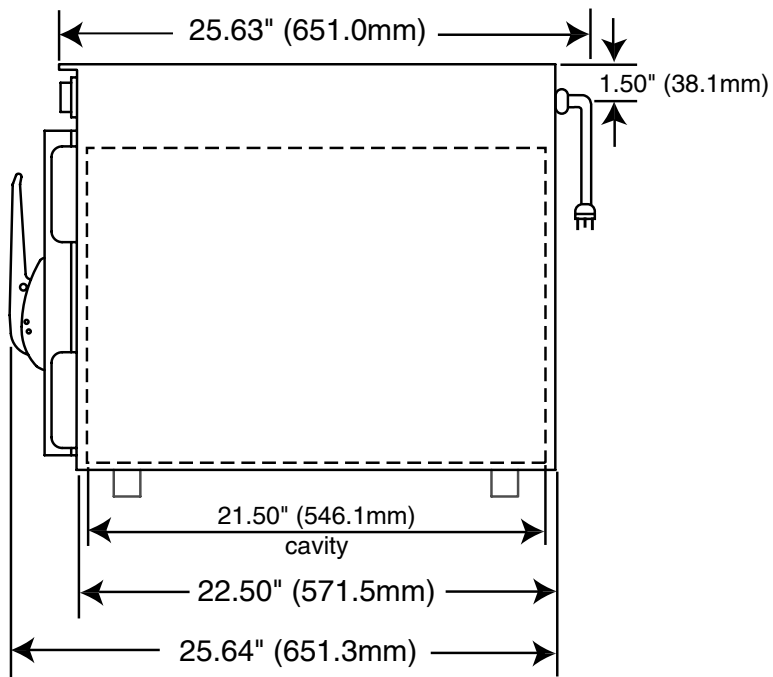
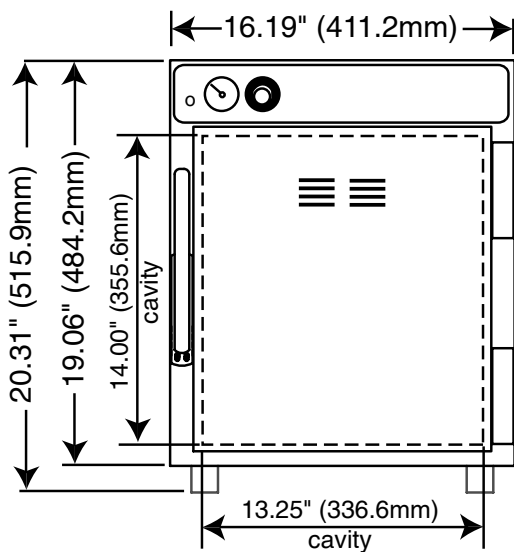
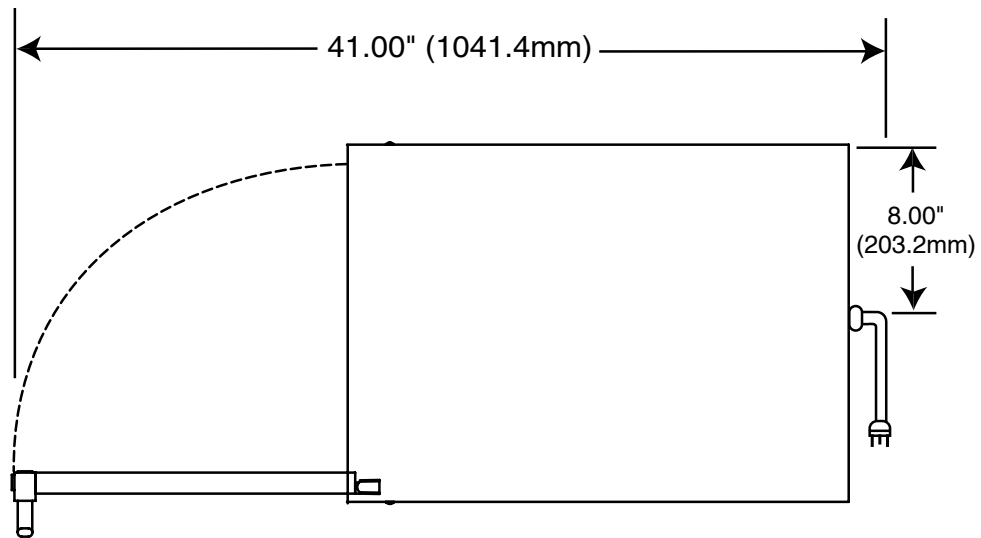
Each cabinet is equipped with a manual ON/OFF adjustable thermostat, heat indicator light, and a temperature gauge to monitor inside air temperature. The thermostat has an adjustable temperature range of 200° to 60°F (94° to 16°C).

The warming cabinet is equipped with one (1) white, epoxy-coated blanket support assembly. The cabinet is furnished with four (4) 1-1/4" (31mm) non-skid rubber feet.

DANGER	
	AT NO TIME SHOULD THE INTERIOR OR EXTERIOR BE STEAM CLEANED, HOSED DOWN, OR FLOODED WITH WATER OR LIQUID SOLUTION OF ANY KIND. DO NOT USE WATER JET TO CLEAN.
	SEVERE DAMAGE OR ELECTRICAL HAZARD COULD RESULT. WARRANTY BECOMES VOID IF APPLIANCE IS FLOODED

DANGER	
	DO NOT use this warming cabinet in the presence of flammable anesthetic mixture (with air or with oxygen or nitrous oxide). THIS COULD RISK AN EXPLOSION!
	

D I M E N S I O N S



CONTROL FEATURES

THERMOSTAT AND PILOT LIGHT SEQUENCE

Whenever the thermostat is turned "ON", the heat indicator light will indicate the power **ON/OFF** condition of the heating cable, and consequently, the cycling of the cabinet as it maintains the set cavity temperature. If the pilot light does not illuminate after normal start-up, the main power source, thermostat, and/or pilot light must be checked. If the warming cabinet does not hold the temperature as set, the calibration of the thermostat must be checked. If the warming cabinet fails to heat or heats continuously with the thermostat "OFF", the thermostat must be initially checked for proper operation. If these items are checked and found to be in order, a continuity and resistance check of the heating cable should be made.

SEE WIRING DIAGRAM.

THERMOSTAT ACCURACY

The thermostat is precision calibrated at the factory. Normally, no adjustment or recalibration is necessary unless the thermostat has been mishandled in transit, changed, or abused while in service. A thermostat with a sensing bulb

operates on hydraulic pressure, consequently, any bending of the bulb results in a change in its volume, and alters the accuracy of the thermostat calibration.

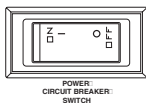
A thermostat should be checked or recalibrated by placing a quality, thermal indicator at the center of an empty holding cavity. **DO NOT CALIBRATE WITH ANY BLANKETS IN THE CABINET.** The thermostat should be set, and should be allowed to stabilize at that setting for a minimum of one hour. Following temperature stabilization, the center of the thermal swing of the air temperature within the cabinet should approximately coincide with the thermostat setting.

If calibration is necessary, the calibration screw should be adjusted with great care. The calibration screw of the thermostat is located in the thermostat dial shaft. With the shaft held stationary, a minute, clockwise motion of the calibration screw appreciably lowers the thermostat setting. A reverse, or counter-clockwise motion appreciably raises the thermostat setting. After achieving the desired cycling of the thermostat, the calibration screw must be sealed. Place a few drops of enamel sealant directly on the calibration screw. **[Red nail polish or equivalents acceptable.]**

OPERATIONAL PROCEDURES

1. The appliance should be plugged into a hospital grade, NEMA 5-15P receptacle. The unit requires 1" clearance on sides, back, and bottom.

2. Turn on the power circuit breaker switch, which is located at the back of the appliance. It is a rocker-type switch with international ON (I) and OFF (O) markings.



3. PREHEAT AT 200°F (93°C).

When the thermostat is turned clockwise to an "ON" position, the red indicator light will illuminate and will remain lit as long as the unit is calling for heat. The red indicator light will go "OUT" when the air temperature inside the unit reaches the temperature set by the operator. Verify the full preheated temperature with the holding temperature gauge located on the control panel of the cabinet.

4. LOAD THE CHAMBER WITH 100% COTTON BLANKETS. DO NOT WARM SYNTHETIC BLEND FABRICS OR ITEMS CONTAINING PLASTIC, RUBBER OR METAL SNAPS, STUDS, HOOKS, ETC.

Check that the epoxy-coated blanket support assembly is in place. This blanket support assembly **MUST** be used to hold blankets. A full load of blankets will take 1-2 hours to

reach optimum temperature. Make certain the cabinet door is securely closed after initial loading and following each blanket removal.

Note: Do not block sensor by overloading cabinet with blankets.

5. ROTATE LOAD OF BLANKETS DAILY.

Rotate the blankets at the bottom of the load to the top to ensure equal usage. Failure to rotate blankets can cause blankets to discolor.

Note: Avoid using flammable cabinet cleaning agents, as well as blanket cleaning agents that cause fabric to become brittle over time.

CAUTION

BLANKET SUPPORT ASSEMBLY AND SHELF
MUST BE USED WHEN WARMING BLANKETS.

CAUTION

DO NOT OVERLOAD CABINET.
BLANKETS MUST NOT EXCEED HEIGHT OF
SUPPORT ASSEMBLY. ALLOW 1" GAP BETWEEN
LOWER BLANKETS AND MIDDLE SHELF.

CLEANING AND PREVENTIVE MAINTENANCE

PROTECTING STAINLESS STEEL SURFACES



It is important to guard against corrosion in the care of stainless steel surfaces. Harsh, corrosive, or inappropriate chemicals can completely destroy the protective surface layer of stainless steel. Abrasive pads, steel wool, or metal implements will

abrade surfaces causing damage to this protective coating and will eventually result in areas of corrosion. Even water, particularly hard water that contains high to moderate concentrations of chloride, will cause oxidation and pitting that result in rust and corrosion. In addition, many acidic spills left to remain on metal surfaces are contributing factors that will corrode surfaces.

Proper cleaning agents, materials, and methods are vital to maintaining the appearance and life of this appliance. Spilled items should be removed and the area wiped as soon as possible but at the very least, a minimum of once a day. Always thoroughly rinse surfaces after using a cleaning agent and wipe standing water as quickly as possible after rinsing.

ANNUAL PREVENTATIVE MAINTENANCE

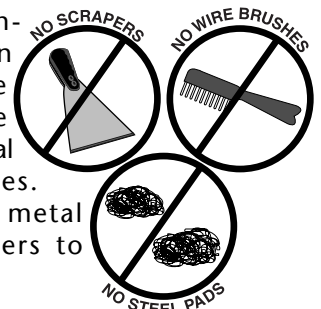
1. Ensure that the correct Operation and Care manual is available to all users.
2. Ensure that all users have been properly trained in unit's operation.
3. Do not exceed the unit's capacity.
4. Inspect condition of plug and cord. Replace if damaged.
5. Clean dust from outer vents surrounding the unit and around top of bonnet.
6. Check door gasket. Are there any tears? Is the gasket worn or loose? Make sure seal is tight to unit body. Replace gasket if integrity is compromised.
7. Check air temperature sensor mounted on the interior of chamber. Is the metal guard in place? Are the wires in good condition?
8. Check the blanket support assembly and shelf (if applicable) Is the assembly in place? Are any pieces missing?

CLEANING AGENTS

Use non-abrasive cleaning products designed for use on stainless steel surfaces. Cleaning agents must be chloride-free compounds and must not contain quaternary salts. Never use hydrochloric acid (muriatic acid) on stainless steel surfaces. Always use the proper cleaning agent at the manufacturer's recommended strength. Contact your local cleaning supplier for product recommendations.

CLEANING MATERIALS

The cleaning function can usually be accomplished with the proper cleaning agent and a soft, clean cloth. When more aggressive methods must be employed, use a non-abrasive scouring pad on difficult areas and make certain to scrub with the visible grain of surface metal to avoid surface scratches. Never use wire brushes, metal scouring pads, or scrapers to remove residue.



9. Check basket and side rail condition (if applicable). Do baskets move smoothly and freely?
10. Check caster or leg condition. Ensure mounting bolts and assembly is secure.
11. Check control panel overlay condition. Are there any tears or excessive wear on the graphic? Does control work properly when buttons are pushed?
12. Check that all control LEDs light up as applicable.
13. Is the Set Temperature comparable to the Actual temperature displayed? If not, control needs calibration. Call Service.

Contact Service for immediate repair if any of the above problems exist.

CAUTION	
	TO PROTECT STAINLESS STEEL SURFACES, COMPLETELY AVOID THE USE OF ABRASIVE CLEANING COMPOUNDS, CHLORIDE BASED CLEANERS, OR CLEANERS CONTAINING QUATERNARY SALTS. NEVER USE HYDROCHLORIC ACID (MURIATIC ACID) ON STAINLESS STEEL. NEVER USE WIRE BRUSHES, METAL SCOURING PADS OR SCRAPERS.



CARE AND CLEANING

The cleanliness and appearance of this equipment will contribute considerably to its operating efficiency. Make certain the cabinet and door gasket are kept free of any debris that may accumulate. Good equipment that is kept clean works better and lasts longer.



CLEAN THE UNIT REGULARLY:

1. Disconnect the cabinet from the power source.
2. Remove all detachable items such as the metal basket and basket rail supports. Clean these items separately.



NO SCRAPERS



NO STEEL PADS

NOTE: Avoid the use of abrasive cleaning compounds, chloride based cleaners, or cleaners containing quaternary salts. Never use hydrochloric acid (muriatic acid) on stainless steel.

3. Clean the interior metal surfaces of the cabinet with a damp cloth and any mild commercial detergent. Avoid the use of abrasive cleaning compounds. Rinse surfaces by wiping with sponge & clean warm water. Remove excess water with sponge and wipe dry with a clean cloth or air dry. Leave doors open until interior is completely dry.
4. Interior can be wiped with a sanitizing solution after cleaning and rinsing. This solution must be approved for use on stainless steel surfaces. Replace blanket support assembly.
5. To help maintain the protective film coating on polished stainless steel, clean the exterior of the cabinet with a cleaner recommended for stainless steel surfaces. Spray the cleaning agent on a clean cloth and wipe with the grain of the stainless steel.
6. Clean the window glass with a standard commercial glass cleaner.
7. Wipe control panel, door vents, door handles, and door gaskets thoroughly since these areas harbor debris.
8. Wipe door gaskets and control panel dry with a clean, soft cloth.

Always follow appropriate state or local health (hygiene) regulations regarding all applicable cleaning and sanitation requirements.

9. To help maintain the protective film coating on polished stainless steel, clean the exterior of the cabinet with a cleaner recommended for stainless steel surfaces. Spray the cleaning agent on clean cloth a wipe with grain of the stainless steel.



(Listed as Ordinary Equipment.)

SERVICE PARTS LIST

P-2010-S

BLANKET WARMING CABINET

09/06

DESCRIPTION	QTY	PART NO.
<u>ELECTRICAL</u>		
1. CIRCUIT BREAKER SWITCH	1	.SW-33826
2. CORDSET, HOSPITAL GRADE, 10ft (3m)	1	.E3025CD
3. GROUND SCREW	1	.SC-2190
4. INDICATOR LIGHT, 110V	1	.LI-3027
5. STRAIN RELIEF BUSHING	1	.BU-3964
6. THERMOSTAT	1	.TT-3057
7. THERMOSTAT, HI-LIMIT	1	.TT-34350
<u>MECHANICAL HARDWARE</u>		
8. BLANKET SUPPORT, BOTTOM	1	.SH-25907
9. BLANKET SUPPORT, SIDES	2	.SR-25906
10. BOTTOM SPOT ASSEMBLY	1	.E4001
11. BUMPER FEET	4	.BM-22606
12. CASING	1	.1003954
13. CONTROL PANEL OVERLAY	1	.E2060PE
14. DOOR ASSEMBLY, RIGHT HAND	1	.15016
15. DOOR GASKET	6ft (1829mm)	.GS-2398
16. DOOR HANDLE WITH STRIKER	1	.HD-2007
17. HINGE SET (1 PAIR OF 2 HINGES)	1	.HG-2015
18. INSULATION: 1-1/2" x 25-1/2" x 120" (38mm x 648mm x 3048mm)	1	.IN-2381
19. TEMPERATURE GAUGE	1	.E2064GU
20. THERMOSTAT KNOB	1	.E3027KN
21. TOP WELD ASSEMBLY	1	.E4002
<u>OPTIONS AND ACCESSORIES</u>		
22. DOOR ASSEMBLY, LEFT HAND5125
23. CASTER STAND ASSEMBLY WITH 5" (127mm) CASTERS15377
24. LEG STAND ASSEMBLY WITH 6" (152mm) LEGS15378

SERVICE VIEWS • PAGES 10 AND 11

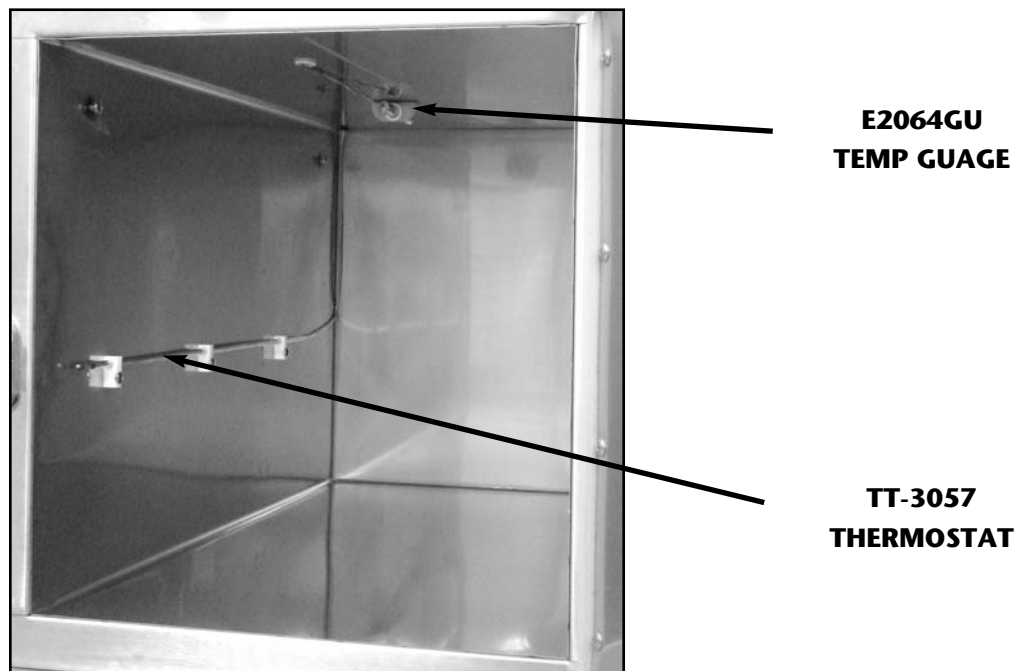
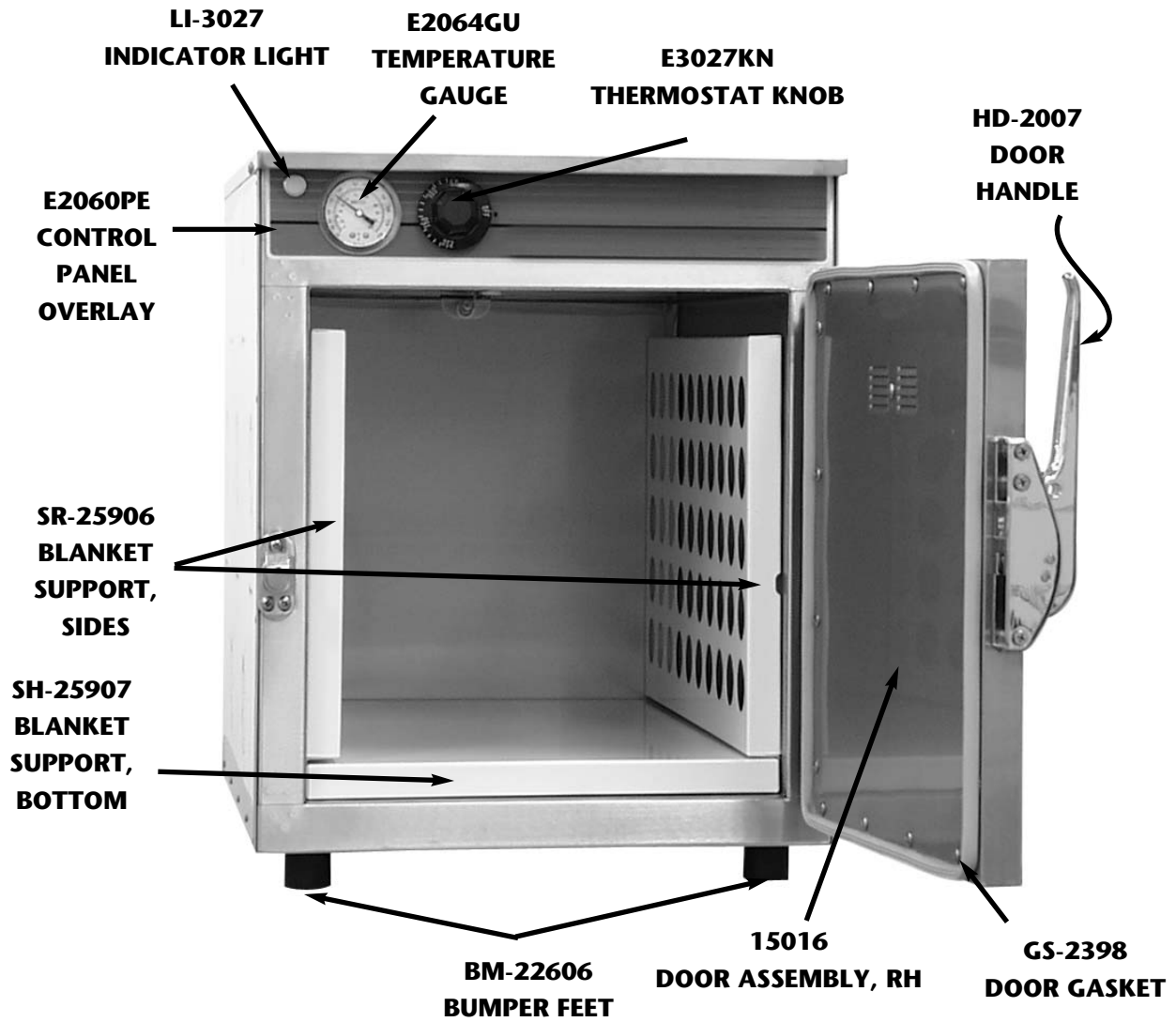
Heating Cable Replacement Kit No. 4873

INCLUDES:

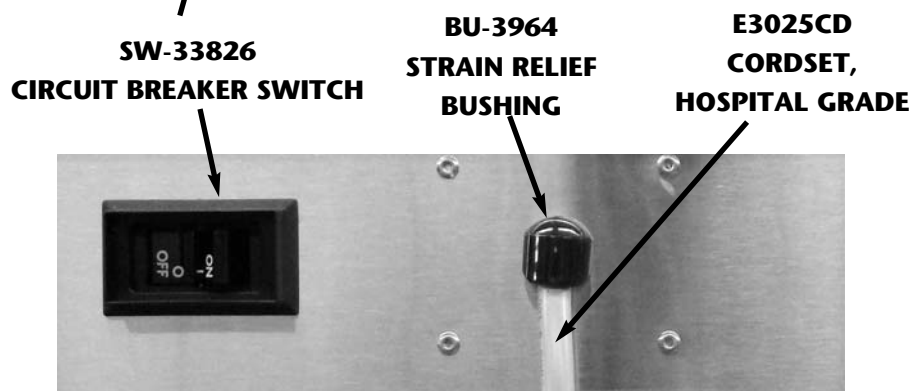
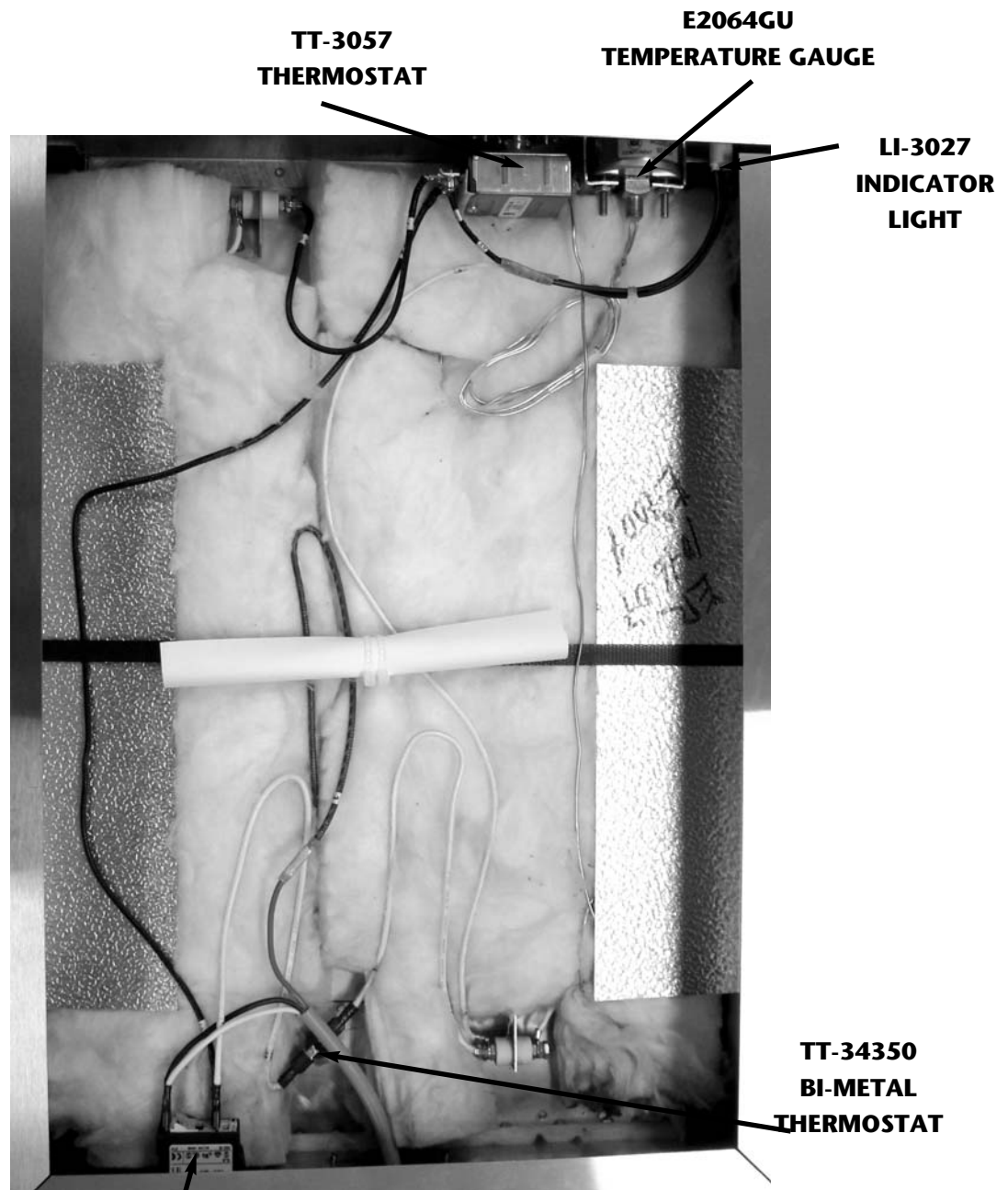
CB-3044	CABLE HEATING ELEMENT	54 ft	IN-3488	INSULATION CORNER08 ROLL
BU-3106	CUP BUSHING	2	CR-3226	RING CONNECTOR	2
TA-3540	ELECTRICAL TAPE	1 ROLL	BU-3105	SHOULDER BUSHING	2
NU-2215	HEX NUT	4	ST-2439	STUD, 10-32	2
SL-3063	INSULATING SLEEVE	2			

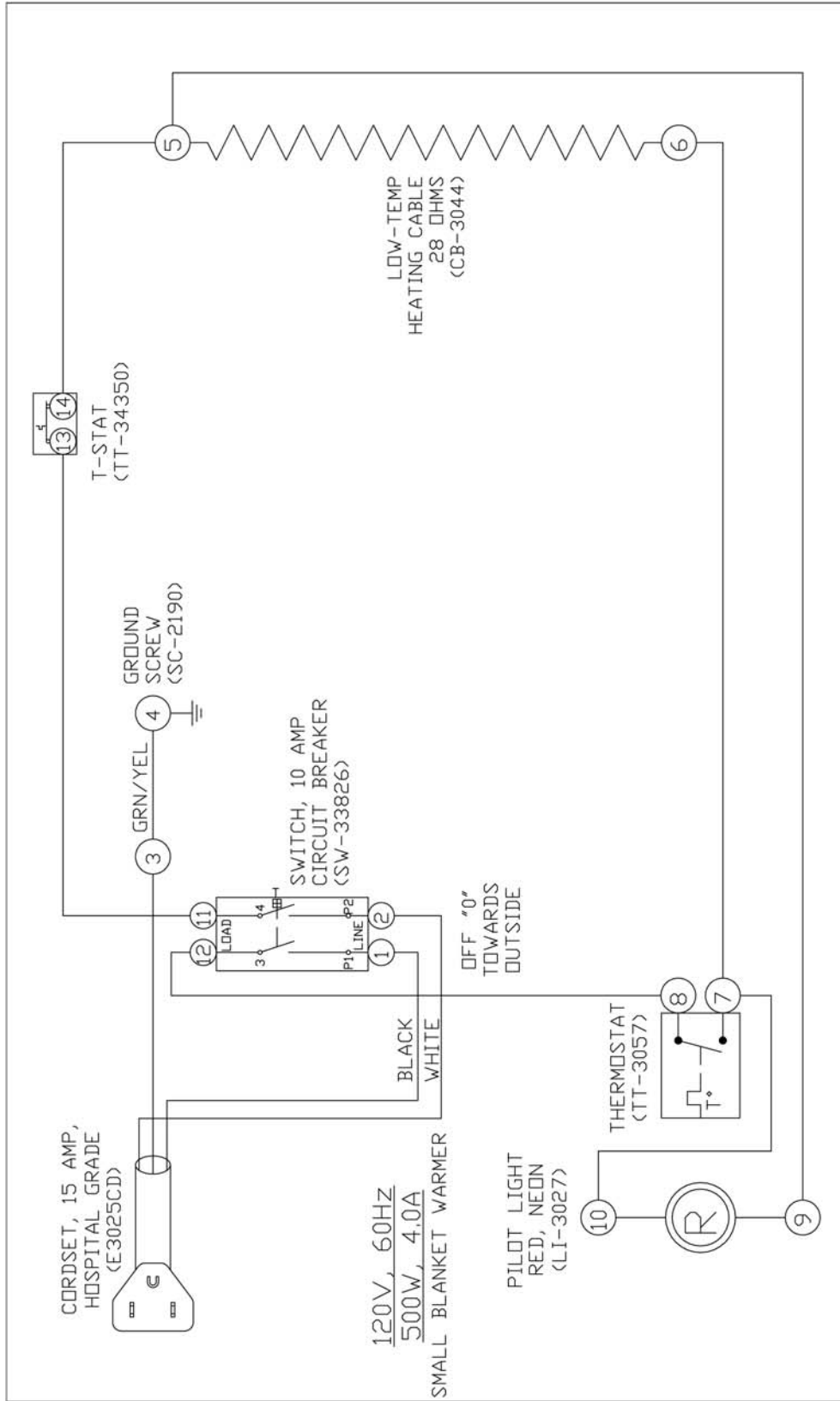


Service Views of P-2010-S



Service Views of P-2010-S





WIRING DIAGRAM

MODELS: BLANKET WARMER, SMALL (MECH.) STD.
SPEC: 500 WATT @ 120 VOLT (4 AMP) 60 HZ

NO	REVISION	BY
1	03/27/01	NW
2	2/22/05	DF
3	8/23/06	BM

APPROVAL: PLR	DWG: A-E7004
BY: RS	DATE: 10/17/97

NOTE 1: ALL NUMBERS IN () = OUR PART NUMBERS
NOTE 2: SEE DRW. #B-E8002 FOR WIRE ASSEMBLIES.



TRANSPORTATION DAMAGE AND CLAIMS

All Pedigo equipment is sold F.O.B. shipping point, and when accepted by the carrier, such shipments become the property of the consignee.

Should damage occur in shipment, it is a matter between the carrier and the consignee. In such cases, the carrier is assumed to be responsible for the safe delivery of the merchandise, unless negligence can be established on the part of the shipper.

1. Make an immediate inspection while the equipment is still in the truck or immediately after it is moved to the receiving area. Do not wait until after the material is moved to a storage area.
2. Do not sign a delivery receipt or a freight bill until you have made a proper count and inspection of all merchandise received.
3. Note all damage to packages directly on the carrier's delivery receipt.
4. Make certain the driver signs this receipt. If he refuses to sign, make a notation of this refusal on the receipt.
5. If the driver refuses to allow inspection, write the following on the delivery receipt:

Driver refuses to allow inspection of containers for visible damage.

6. Telephone the carrier's office immediately upon finding damage, and request an inspection. Mail a written confirmation of the time, date, and the person called.
7. Save any packages and packing material for further inspection by the carrier.
8. Promptly file a written claim with the carrier and attach copies of all supporting paperwork.

We will continue our policy of assisting our customers in collecting claims which have been properly filed and actively pursued. We cannot, however, file any damage claims for you, assume the responsibility of any claims, or accept deductions in payment for such claims.

PEDIGO LIMITED WARRANTY

Pedigo Products, Inc. warrants to the original purchaser that any original part that is found to be defective in material or workmanship will, at our option, subject to provisions hereinafter stated, be replaced with a new or rebuilt part.

The labor warranty remains in effect one (1) year from installation or fifteen (15) months from the shipping date, whichever occurs first.

The parts warranty for the cavity fan motor remains in effect one (1) year from installation or fifteen (15) months from the shipping date, whichever occurs first. The parts warranty on all other parts remains in effect three (3) years from installation or thirty-nine (39) months from the shipping date, whichever occurs first.

This warranty does not apply to:

1. Calibration
2. Equipment damage caused by accident, shipping, improper installation or alteration.
3. Equipment used under conditions of abuse, misuse, carelessness or abnormal conditions including equipment subjected to harsh or inappropriate chemicals including but not limited to compounds containing chloride or quaternary salts, poor water quality, or equipment with missing or altered serial numbers.
4. Any losses or damage resulting from malfunction, including loss of contents or consequential or incidental damages of any kind.
5. Equipment modified in any manner from original model, substitution of parts other than factory authorized parts, removal of any parts including legs, or addition of any parts.
6. Collateral or incidental damage as a direct result of servicing equipment built into a wall structure is not covered under warranty. It is the responsibility of the owner to bear all expense related to structural repairs including, but not limited to, external electrical connections and wiring, and the removal or replacement of caulk, grout, tile, or wall covering of any kind. A service access panel for built-in equipment installations is strongly recommended.

This warranty is exclusive and is in lieu of all other warranties, expressed or implied, including the implied warranties of merchantability and fitness for purpose. In no event shall the Company be liable for loss of use, loss of revenue, or loss of contents or revenue, or for indirect or consequential damages. This warranty is in lieu of all other warranties expressed or implied and Pedigo Products, Inc. neither assumes nor authorizes any persons to assume for it any other obligation or liability in connection with Pedigo Products, Inc. equipment.

Record the model and serial numbers of the unit for easy reference. Always refer to both model and serial numbers in your correspondence regarding the unit.

Model: _____

Serial Number: _____

Purchased From: _____

Date Installed: _____ Voltage: _____



ALL PEDIGO PRODUCTS ARE PROUDLY MADE IN THE USA