



Vortex Mixers



Choose the Perfect Vortex Mixer From Four Durable Models for Everyday Mixing

Four OHAUS Vortex Mixer models for gentle to high-speed reliable mixing. Non-digital model offers variable speed control, and digital model allows input of the exact speed and time to achieve repeatable results every time. Pulsing model features a unique pulse action that reduces heat generation, while providing more effective mixing and cell disruption. Fixed speed model offers simple one-touch, high-speed mixing for repeat applications.

Unique Features:

- Touch mode operation activates mixing when depressing the cup head or continuous mode for use with accessory attachments. Sturdy, rugged design ensures the unit stays in place while in use.
- Robust digital and non-digital Vortex Mixers offer effective speed control from low RPM start-up for gentle shaking to high-speed mixing for vigorous vortexing of samples.
- The Fixed Speed Vortex Mixer is an economical choice for vigorous mixing of samples at high speed. To ease repetitive sample processing, this unit provides simple, effective full-speed mixing.

Vortex Mixers

| Model | VXMNFS | VXMNAL | VXMNDG | VXMNPS |
|------------------------|---|--------------------|--------------------------|--------------------|
| Control | Fixed Speed | Analog | Digital | Pulsing, digital |
| Speed Range | 3200 rpm | 300 rpm – 3200 rpm | 500 rpm – 3000 rpm | |
| Orbit | 4.9 mm (0.19 in.) | | | 2.5 mm (0.098 in.) |
| Timer | Not Applicable | | 1 second to 9999 minutes | |
| Duty Rating | Intermittent | | | |
| Working Environment | 39 °F – 104 °F, 20% – 85% relative humidity, non-condensing | | | |
| Power | 120V, 1.2A, 50/60Hz | | | |
| Power Consumption | 135 W | | | |
| Dimensions (W × L × H) | 4.8 × 8.3 × 6.5 in. / 123 × 210 × 165 mm | | | |
| Net Weight | 9 lb / 4.4 kg | | | |

Other Standard Features and Equipment

Detachable 3-wire cord and plug, cup head and 3-inch accessory platform for beakers, flasks, test tubes etc. (included with all models), stainless steel microtube holder for 12 tubes (included with pulsing model only).

Compliance

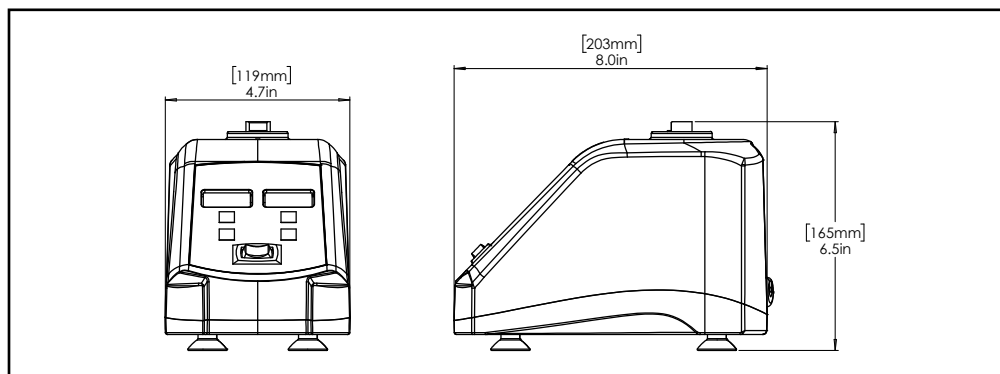
- **Product Safety:** CAN/CSA C22.2 61010-1, CAN/CSA C22.2 61010-2-051, UL 61010-1
- **Electromagnetic Compatibility:** ICES-003 Class A, FCC Part 15 Class A
- **Compliance Marks:** TÜV SÜD

Accessories

| Item No. | Description | VXMNFS | VXMNAL | VXMNDG | VXMNPS |
|----------|--|--------|--------|--------|--------|
| 30400235 | Cup Head | • | • | • | • |
| 30400236 | 3-inch Flat Head w/o Rubber Cover | • | • | • | • |
| 30400237 | Rubber Cover for 3-inch Flat Head | • | • | • | • |
| 30400196 | 3-inch Flat Head with Rubber Cover | • | • | • | • |
| 30400197 | Tube Holder Kit with Retainer | N/A | • | • | • |
| 30400198 | Micro Tube and Well Plate Holder Kit with Retainer | N/A | • | • | • |
| 30400199 | Micro Well Plate Kit with Retainer | N/A | • | • | • |
| 30400200 | Microtube Kit with Retainer | N/A | • | • | • |
| 30400201 | Foam Insert Variety Pack* | N/A | • | • | • |
| 30400202 | Single Tube Holder | N/A | • | • | • |
| 30400203 | Single Tube Holder Adapter Vortex Genie | N/A | • | • | • |
| 30400204 | 0.5 mL Micro-Tube Holder | N/A | • | • | • |
| 30400205 | 1.5-2.0 mL Micro-Tube Holder | N/A | • | • | • |
| 30400206 | 1.5-2.0 mL Stainless Steel Tube Holder | N/A | • | • | • |
| 30400207 | Ampule Tube Holder - Small (15-17 mm) | N/A | • | • | • |
| 30400208 | Ampule Tube Holder - Large (10-17 mm) | N/A | • | • | • |
| 30400227 | Insert Retainer | N/A | • | • | • |
| 30400228 | Vessel Harness, Pack of 2* | N/A | • | • | • |
| 30400229 | Holder For 9-13 mm Tubes, Pack of 2* | N/A | • | • | • |
| 30400230 | Holder For 14-19 mm Tubes, Pack of 2* | N/A | • | • | • |
| 30400231 | Holder For 20-25 mm Tubes, Pack of 2* | N/A | • | • | • |
| 30400232 | Micro-Tube Holder, Pack of 2* | N/A | • | • | • |
| 30400233 | Micro-Well Plate Holder, Pack of 2* | N/A | • | • | • |
| 30400234 | Flat Foam Insert, Pack of 2* | N/A | • | • | • |

*Requires Insert Retainer 30400227

Dimensions



80775180_G 20250715 © Copyright OHAUS Corporation

