

# NUCLEAR SYRINGE CARRIER BOX

PRODUCT INFORMATION

COPYRIGHT ©2025. ALL RIGHTS RESERVED



**PRODUCT INFORMATION**  
NUCLEAR SYRINGE CARRIER BOX



Phillips Safety Nuclear Syringe Carrier Boxes are built for the safe handling and transportation of radioactive materials. Unlike traditional lead-based designs, these carriers are manufactured from high-density tungsten, offering the same shielding performance without the use of lead. Available in both 10mm Pb equivalent and 20mm Pb equivalent protection levels, they provide robust radiation shielding to meet a variety of safety requirements. Each carrier box is finished with a durable stainless-steel exterior, ensuring smooth surfaces for easy cleaning and decontamination in medical or laboratory environments. Compact, reliable, and lead-free, the Phillips Safety Nuclear Syringe Carrier Boxes deliver superior protection while maintaining a practical, hygienic design for everyday use.

**SPECIFICATION**

---

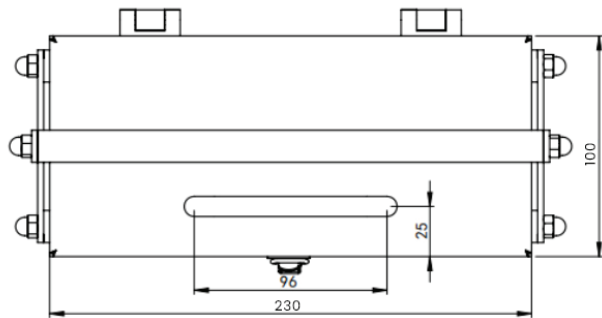
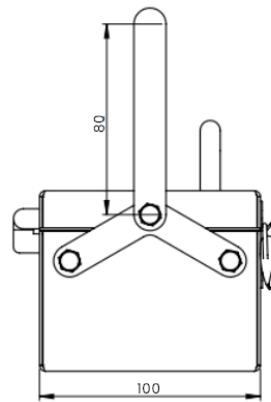
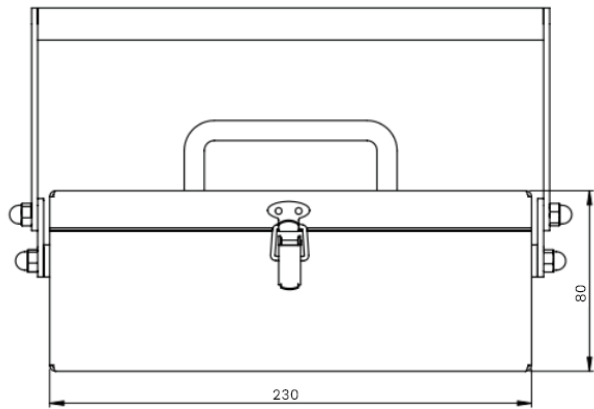
**BRAND:** Phillips Safety

**MATERIAL:** Tungsten, Stainless-Steel

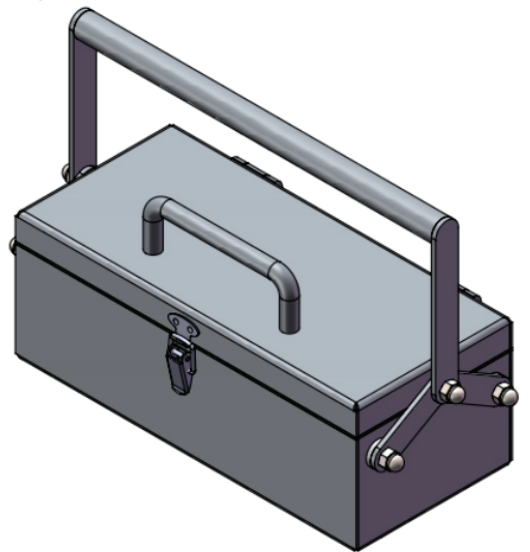
**PROTECTION LEVEL:** 10mm Pb, 20mm Pb

**FEATURES:** Compact, Reliable, Lead Free, Easy to Clean

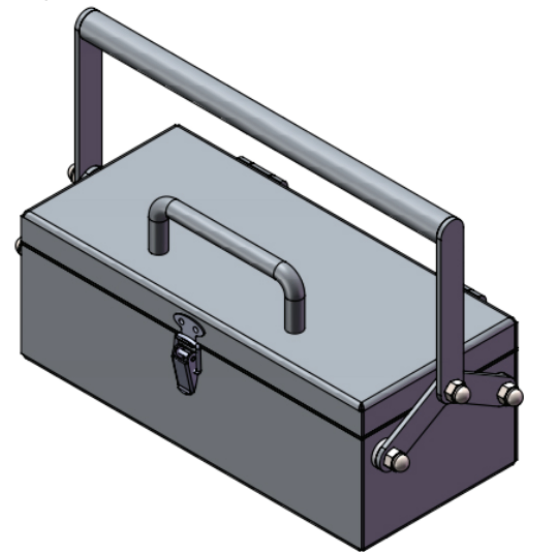
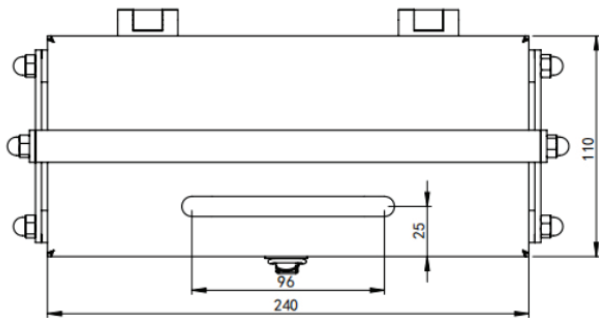
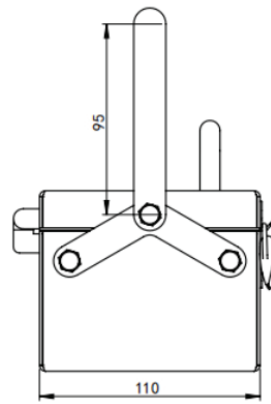
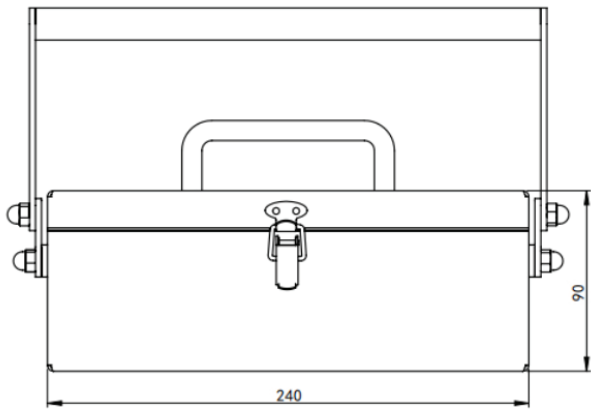
**PRODUCT INFORMATION**  
NUCLEAR SYRINGE CARRIER BOX - 10MM PB



Lead box internal dimensions W200XD70XH50



**PRODUCT INFORMATION**  
NUCLEAR SYRINGE CARRIER BOX - 20MM PB



Lead box internal dimensions W200XD70XH50