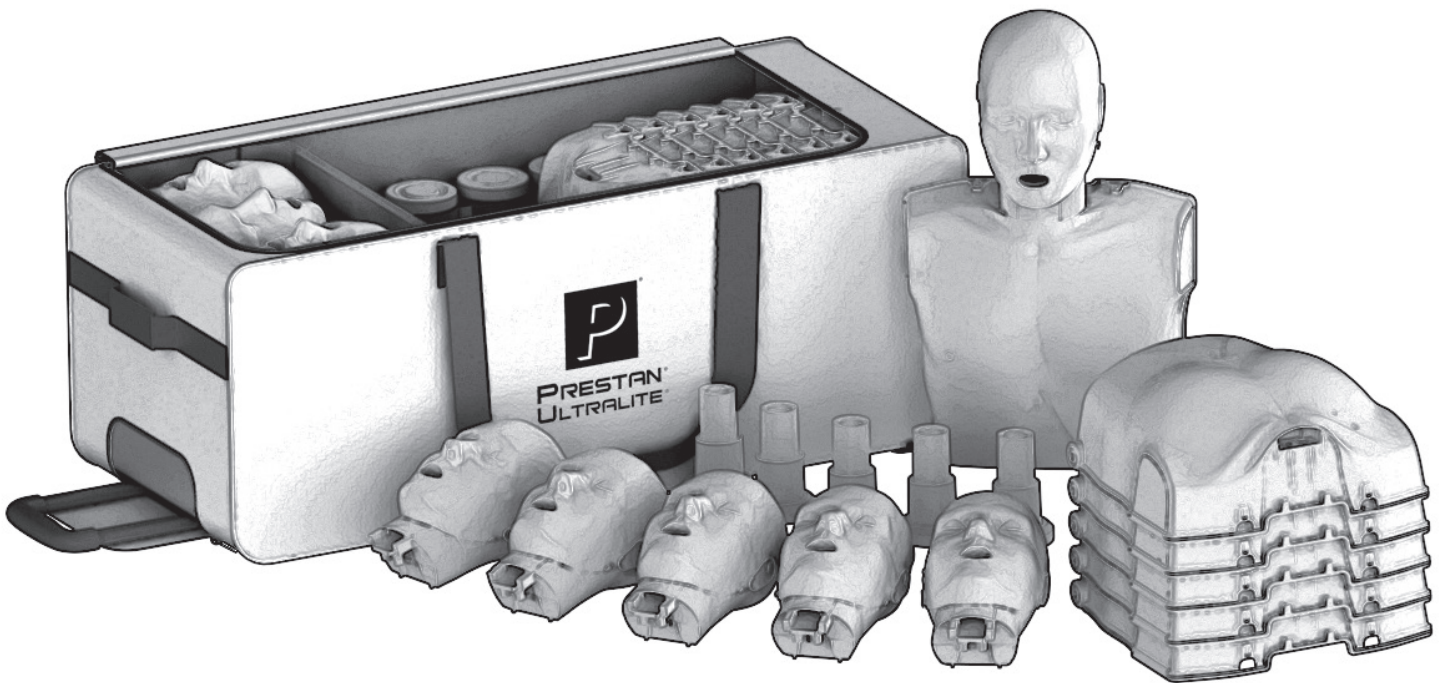
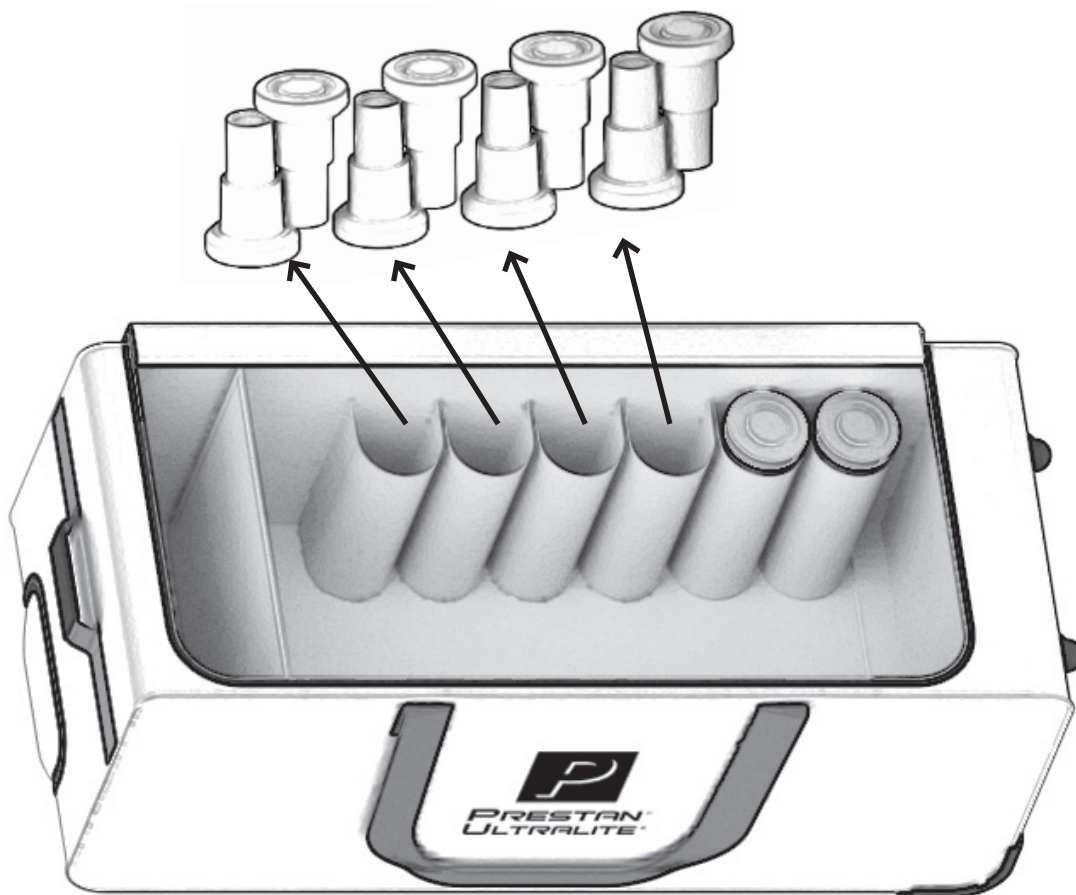
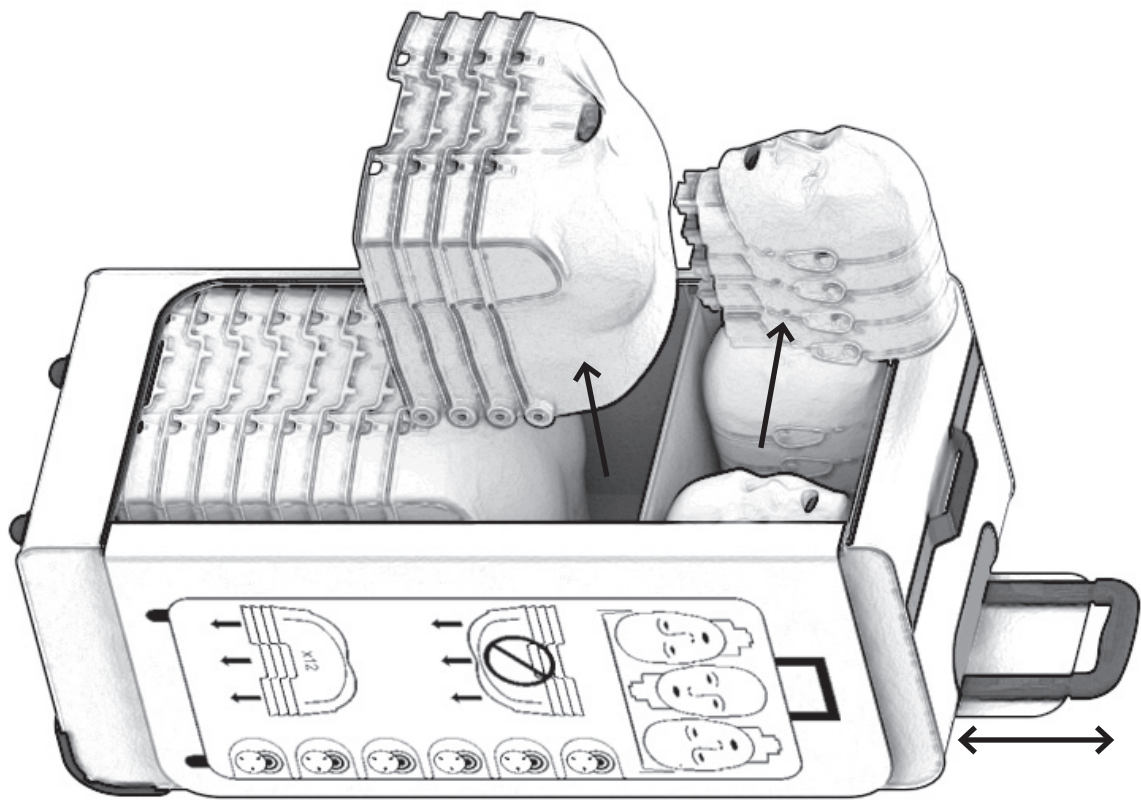


Prestan[®]
Ultralite[®]
Manikins
12-Pack
- User Guide -



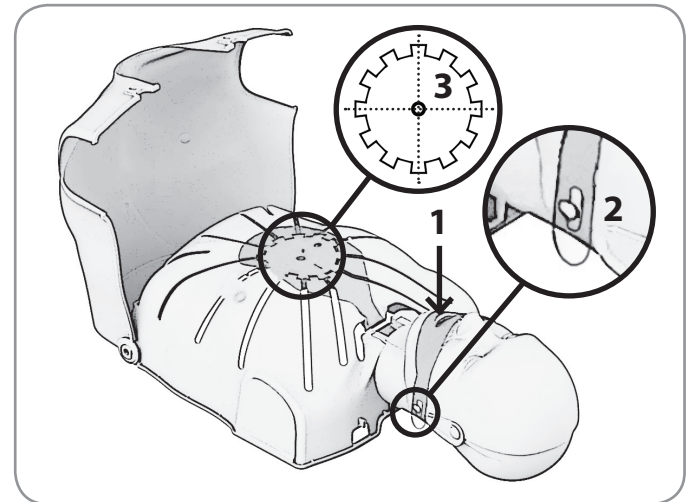
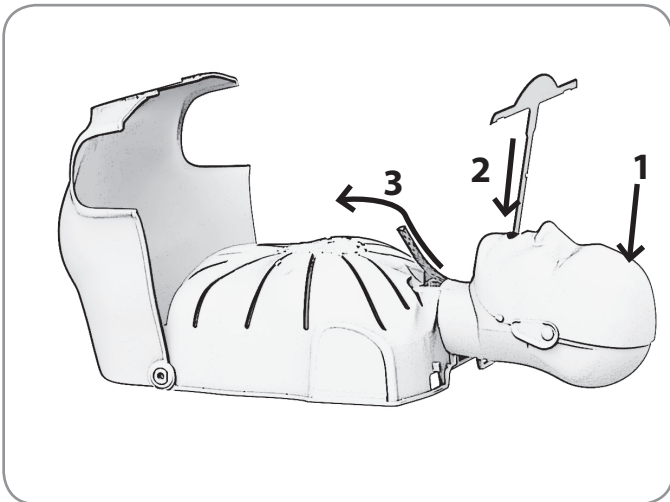
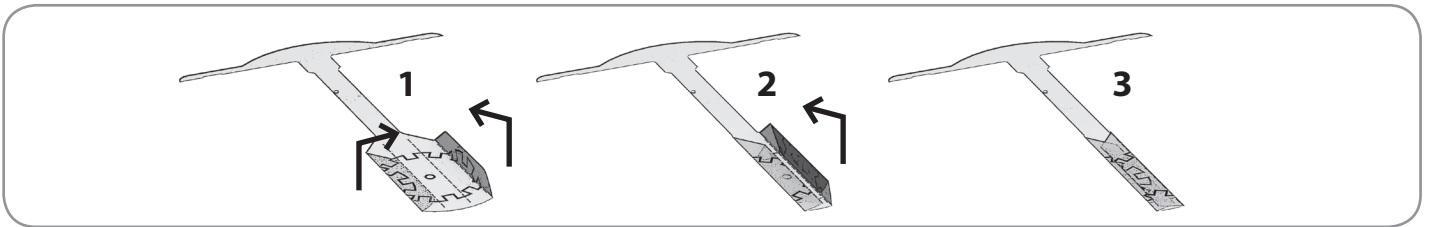
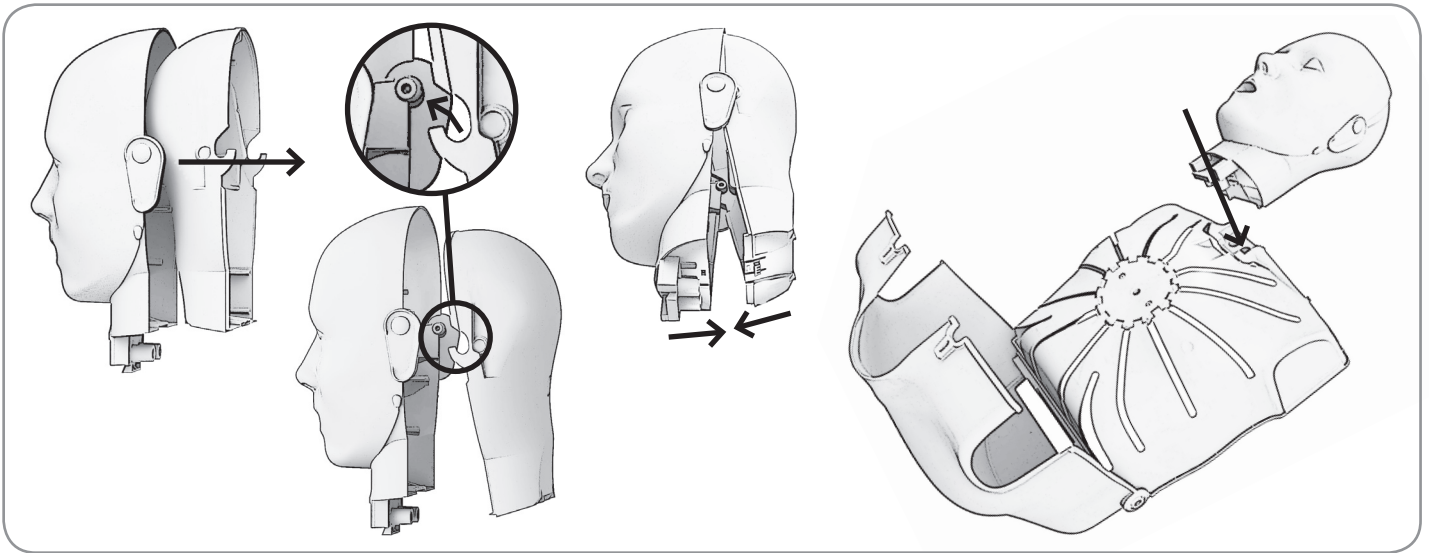
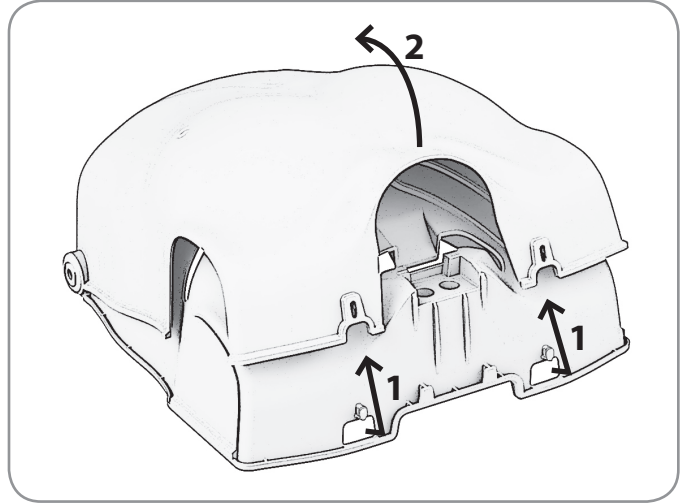
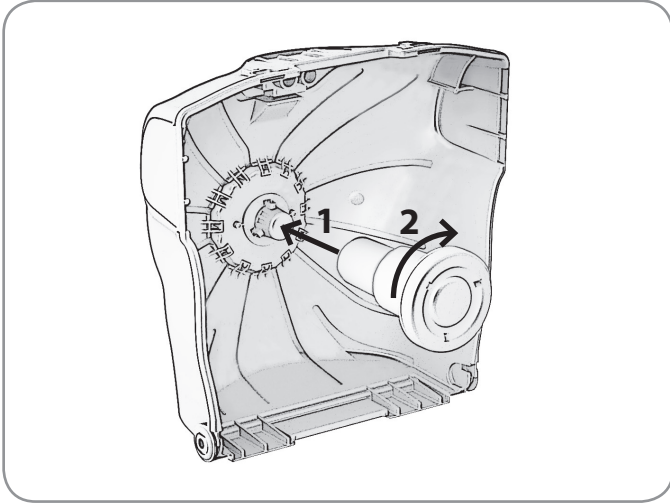


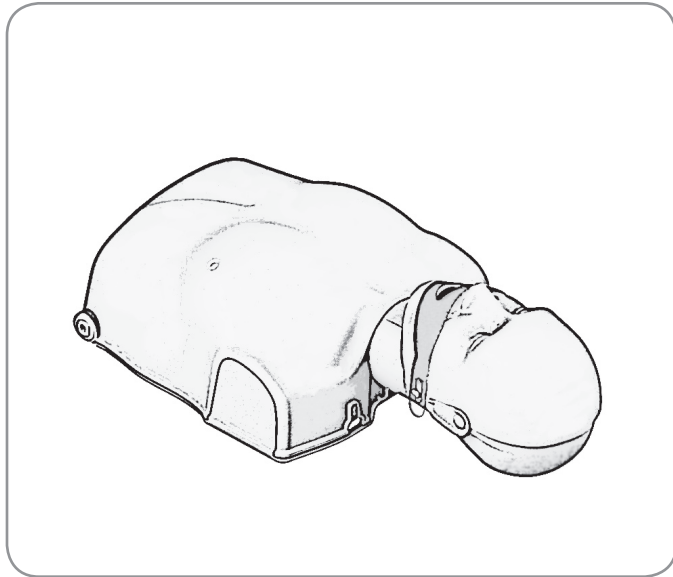
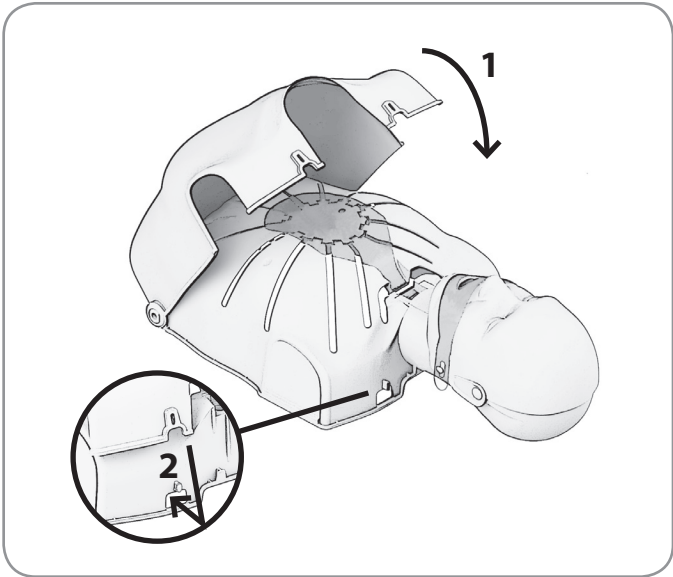
Prestan® Ultralite® Manikins



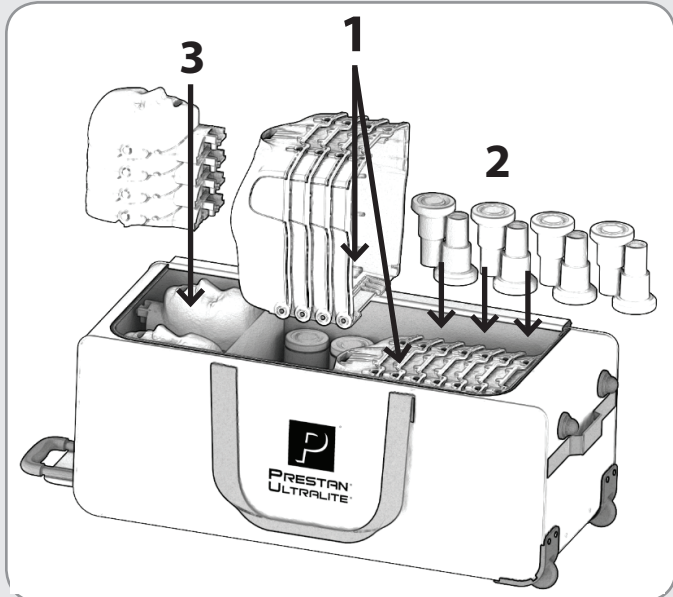
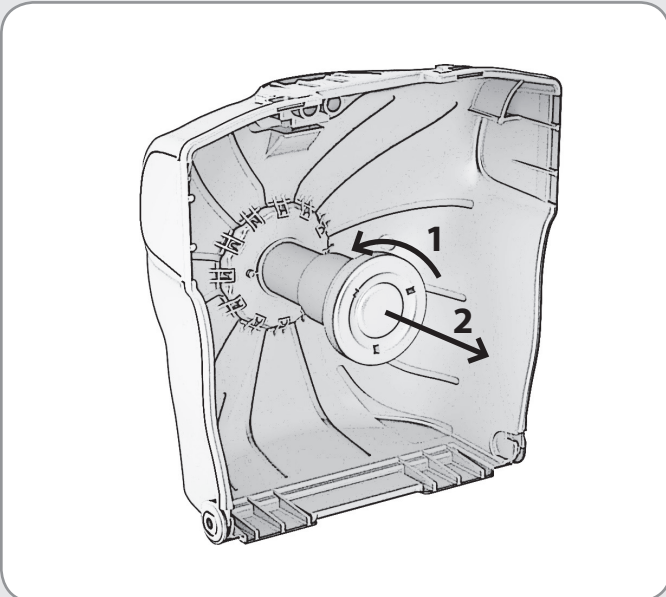
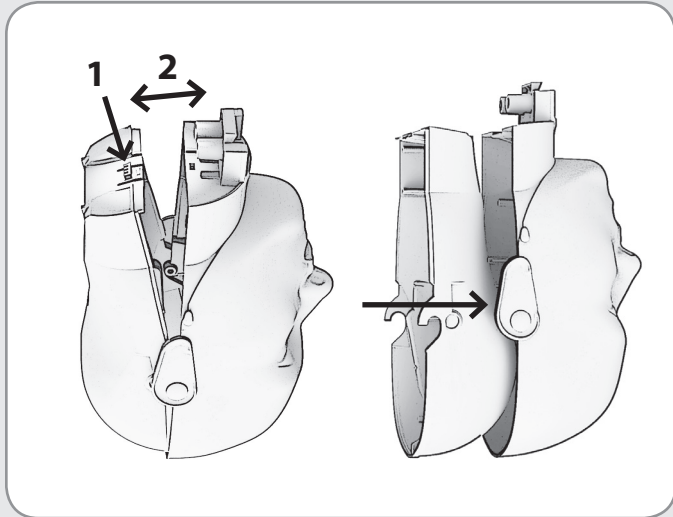
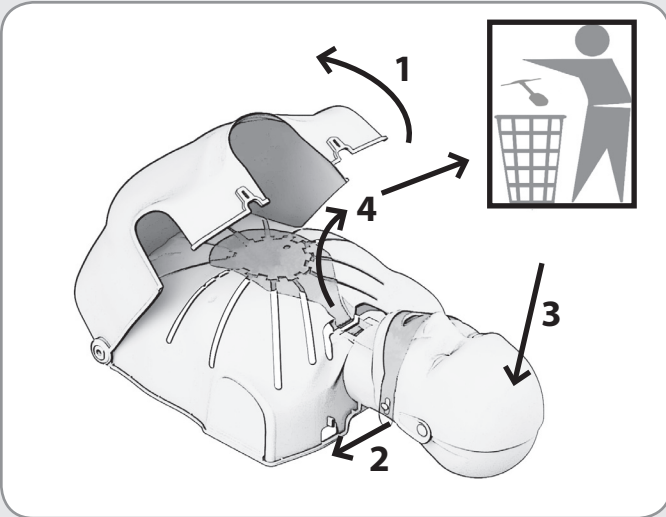
PRESTAN®

ASSEMBLE





DISASSEMBLE



Prestan® Ultralite® Manikins

THANK YOU for buying the Prestan Ultralite Manikin 12-Pack

For convenient reference, make note below of the Prestan Authorized Distributor where you purchased your manikins. Contact your Prestan Authorized Distributor for product questions, reordering parts & accessories, or for warranty issues:

Distributor: _____ | Phone: _____ | Purchase Date: _____

CONTENTS:

- Twelve (12) Manikin Head Faces
- Twelve (12) Manikin Head Backs
- One (1) Rolling Carrying Case with Telescopic Handle
- Twelve (12) Manikin Torsos
- Twelve (12) Compression Pistons
- Three (3) sets 50-pack Ultralite Face-Shield/Lung-Bags

CARE AND CLEANING:

- When not in use, the components should be stored in the carrying case and in a cool, dry place.
- Ultralite Manikins may be cleaned in a variety of ways. A non-abrasive cleaner is recommended:
 - They can be wiped down with a Clorox® or Lysol® disinfecting wipe.
 - Cleaned with a mixture of soap and water.
 - Sprayed or wiped with common household cleaners such as Formula 409®, Windex® or Vim®.
- The face may also be sanitized with alcohol, Clorox® or Lysol® wipes. Between student uses (and prior to applying the face shield), the instructor (or student) may clean the faces with a sanitizing wipe as an extra measure of protection.
- Students may be provided with an individual face shield (sold separately) which may be placed over the Face-Shield/Lung-Bag. This allows multiple students to use one Face-Shield/Lung-Bag during a session.

Order through your Prestan Authorized Distributor:

Ultralite Manikins Face Shields, 50-count	#PP-UFS-50
Ultralite Manikins Face-Shield/Lung-Bags, 10-count	#PP-ULB-10
Ultralite Manikins Face-Shield/Lung-Bags, 50-count	#PP-ULB-50

TROUBLESHOOTING:

- If you cannot get the chest to rise when you blow into the face shield lung bag:
 - Check to make sure that the head is tilted back to create an open airway.
 - Check the lung bag itself. Insure that it is properly positioned over the compression plate, not twisted and is it laying flat.
 - Check the face shield. Insure that it is attached to the 'buttons' on the side of the manikin head and that it is flat against the face of the manikin.
 - Check the bag to insure that has not been torn.
- If the chest does not compress and/or it seems the piston is binding:
 - Ensure proper hand placement - check horizontal hand placement and adjust to center in between the nipples.