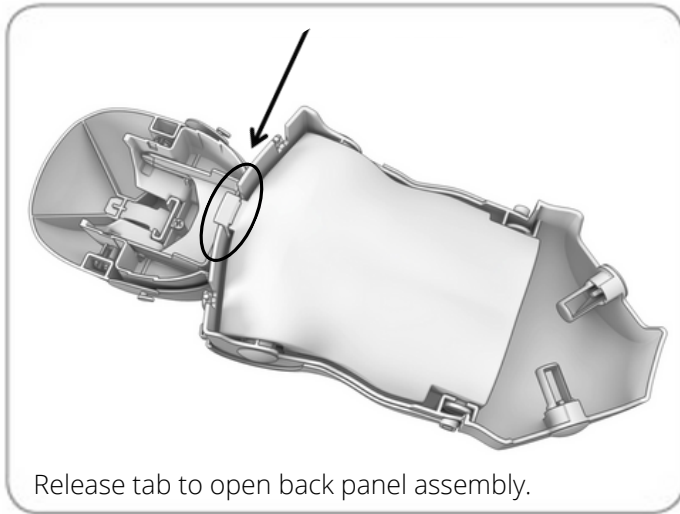


PRESTAN[®]
Infant Ultralite[®]
with CPR Feedback
-User Guide-

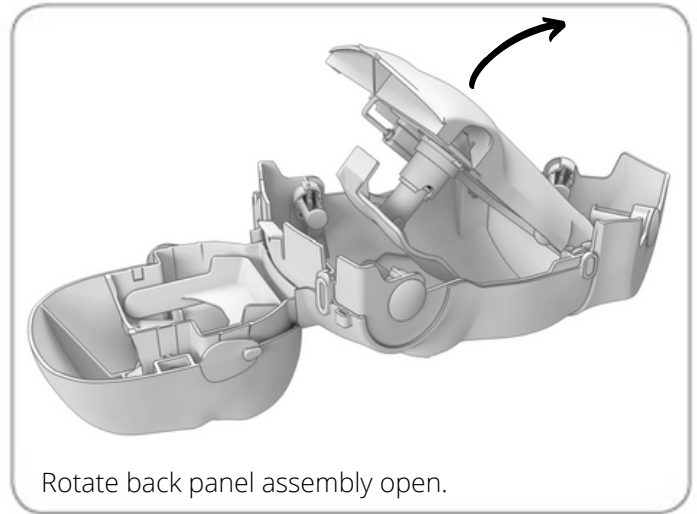




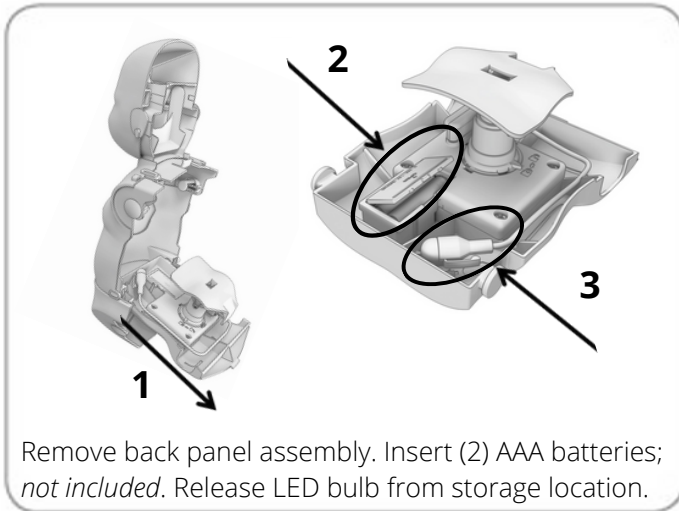
Setup



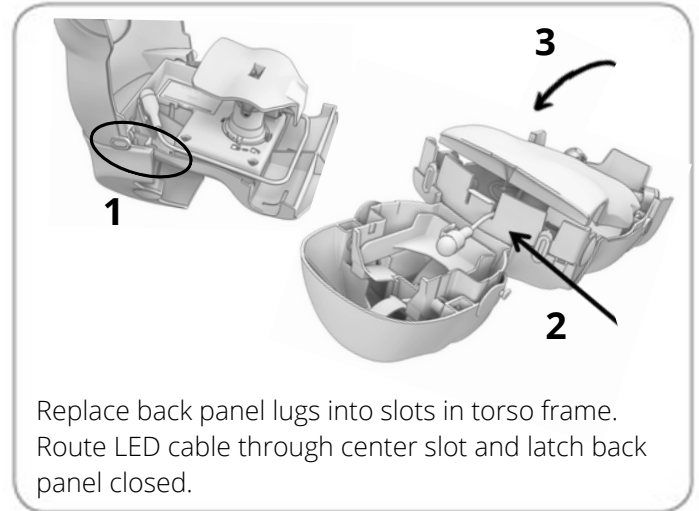
Release tab to open back panel assembly.



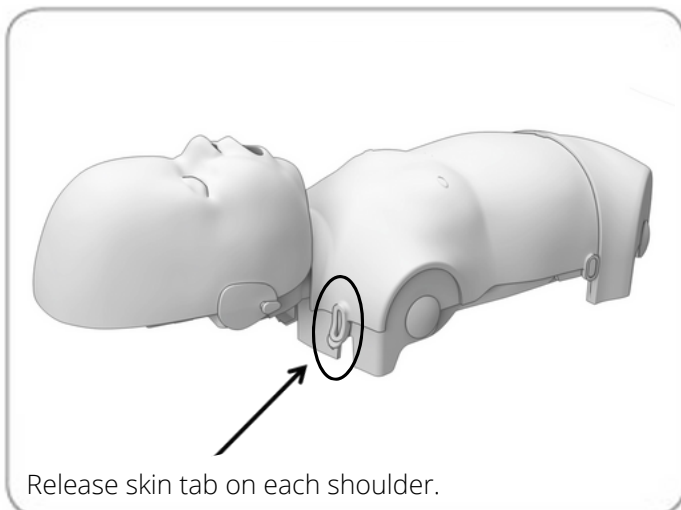
Rotate back panel assembly open.



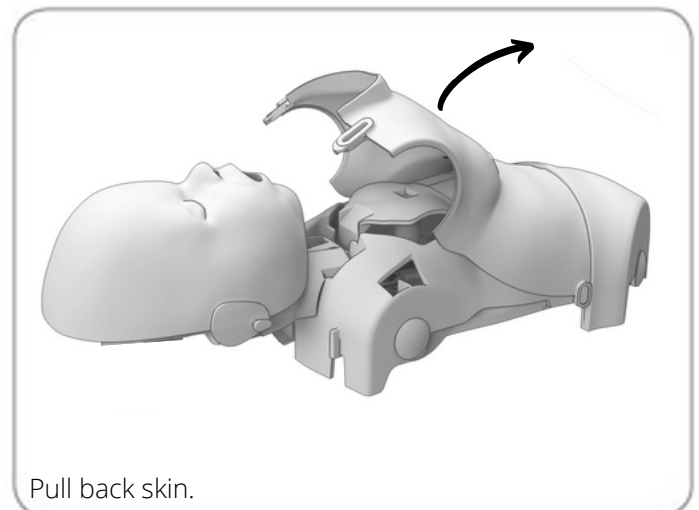
Remove back panel assembly. Insert (2) AAA batteries; *not included*. Release LED bulb from storage location.



Replace back panel lugs into slots in torso frame. Route LED cable through center slot and latch back panel closed.



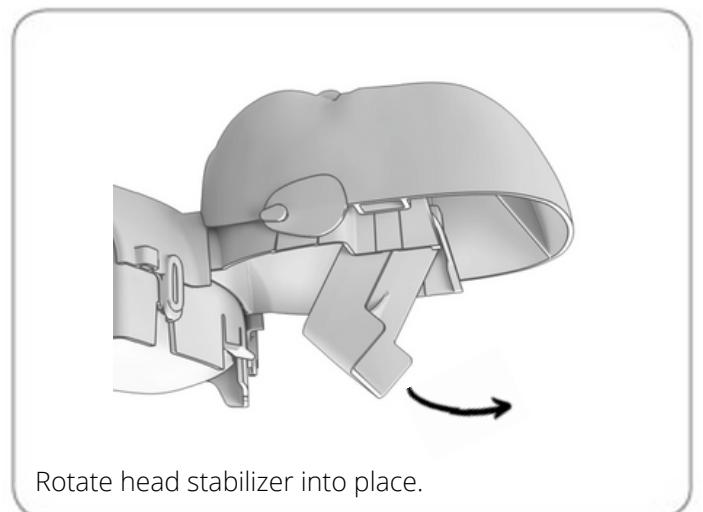
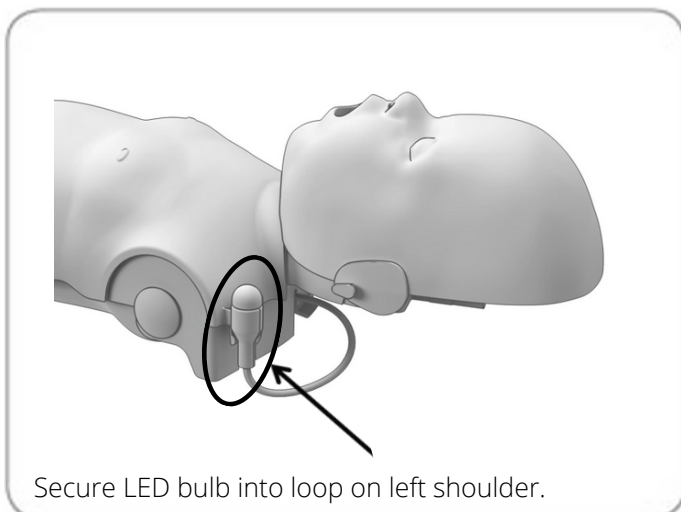
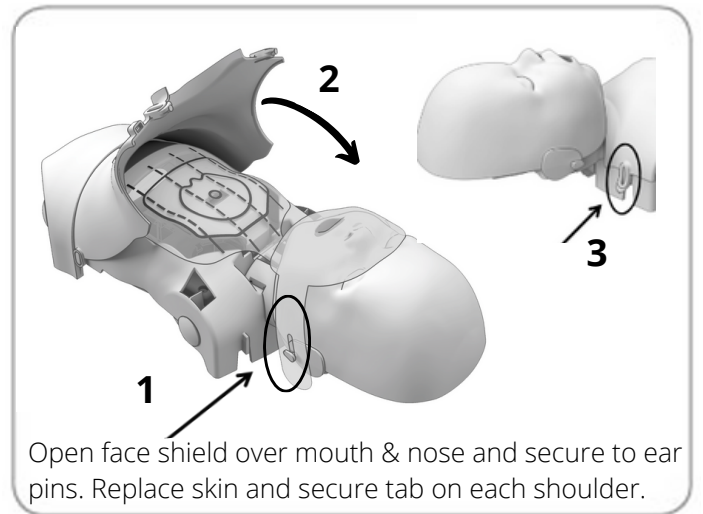
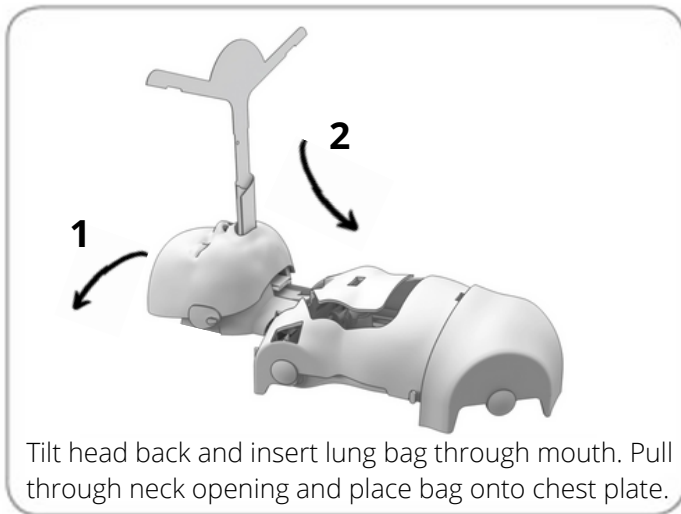
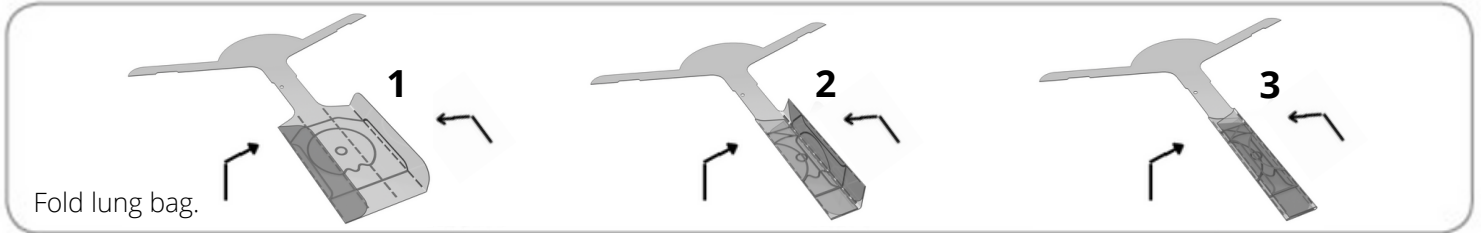
Release skin tab on each shoulder.

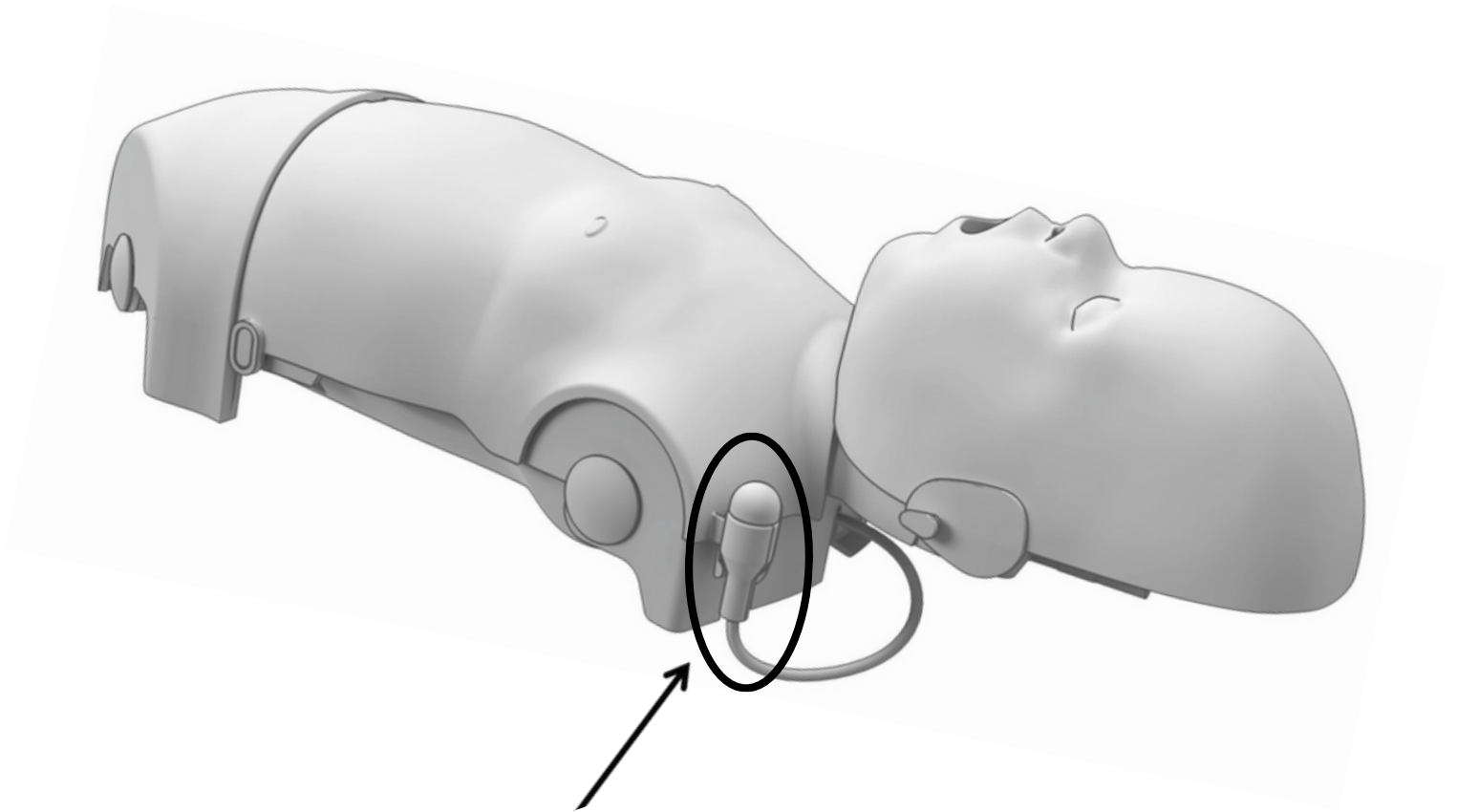


Pull back skin.



Setup (continued)





Building Confidence with PRESTAN CPR Feedback

- Solid RED LED < 100 CPM
- Solid GREEN LED = 100-120 CPM
- Flashing RED LED > 120 CPM

(CPM: Compressions per minute)

PRESTAN[®] Infant Ultralite[®] Manikin with CPR Feedback

THANK YOU for purchasing the PRESTAN Infant Ultralite Manikin with CPR Feedback.

CONTENTS:

- Single (#PP-IULM-100M Series)
 - One (1) Infant Ultralite Manikin with CPR Feedback (two (2) AAA batteries required, not included), one (1) Nylon Carrying Case, one (1) 10-pack Infant Manikin Face-Shield/Lung-Bags
- 4-pack (#PP-IULM-400M Series)
 - Four (4) Infant Ultralite Manikins with CPR Feedback (two (2) AAA batteries required for each manikin, not included), one (1) Nylon Carrying Case, one (1) 50-pack Infant Manikin Face-Shield/Lung-Bags
- 12-pack (#PP-IULM-1200M Series)
 - Twelve (12) Infant Ultralite Manikins with CPR Feedback (two (2) AAA batteries required for each manikin, not included), one (1) Nylon Carrying Case, three (3) 50-pack Infant Manikin Face-Shield/Lung-Bags

CARE AND CLEANING:

- Ultralite Manikins may be cleaned in a variety of ways. A non-abrasive cleaner is recommended.
 - They can be wiped down with a Clorox[®] or Lysol[®] disinfecting wipe.
 - Cleaned with a mixture of soap and water
 - Sprayed or wiped with common household cleaners such as Formula 409[®], Windex[®] or Vim[®].
- The face may also be sanitized with alcohol, Clorox[®] or Lysol[®] wipes. Between student uses (and prior to applying the face shield), the instructor (or student) may clean the faces with a sanitizing wipe as an extra measure of protection.
- Students may be provided with an individual face shield (sold separately) which may be placed over the Face-Shield/Lung-Bag. This allows multiple students to use one Face-Shield/Lung-Bag during a session.

Order through your PRESTAN Authorized Distributor:

Infant Manikins Face Shields, 50-pack	#PP-IFS-50
Infant Manikins Face-Shield/Lung-Bags, 50-pack	#PP-ILB-50

STORAGE:

- Store the PRESTAN Manikin(s) in the nylon carry bag(s); in a cool, dry area at temperatures between 50° - 70° F (10° - 21° C) and 50% relative humidity.
- Do not stack the manikins unless they are inside the original shipping box or other protective container.
- The nylon carry bag for PRESTAN Manikin(s) is not meant to store or transport belongings (e.g. books) in addition to the manikin(s) - please use the carry bag only for the intended manikin(s) to prevent damage to the bag.
- For storage longer than 1 month, it is recommended that the batteries be removed

TROUBLESHOOTING:

- If you cannot get the chest to rise when you blow into the face shield lung bag:
 - Check to make sure that the head is tilted back to create an open airway.
 - Check the face-shield/lung-bag to ensure that it is properly positioned over the compression plate, is not twisted, and is lying flat.
 - Check the face shield lung bag to ensure that it is attached to the ear pins on the side of the manikin head and that it is flat against the face of the manikin.
 - Check the face shield lung bag to ensure that it has not been torn.
- If the chest does not compress and/or it seems the piston is binding:
 - Ensure proper hand placement - check horizontal hand placement and adjust to center in between the nipples.