

Wire Wall Brackets for 3-Gallon Sharps Container

Model: 423 000 (Non-locking) & 425 000 (Locking)

FIG. 1

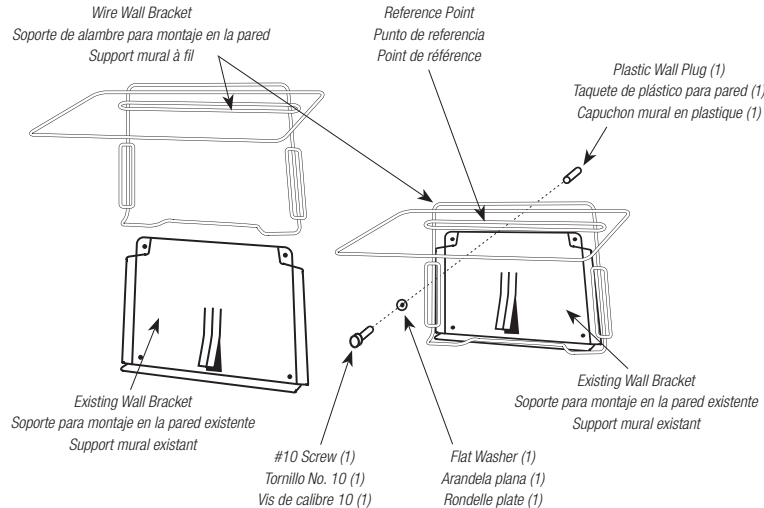
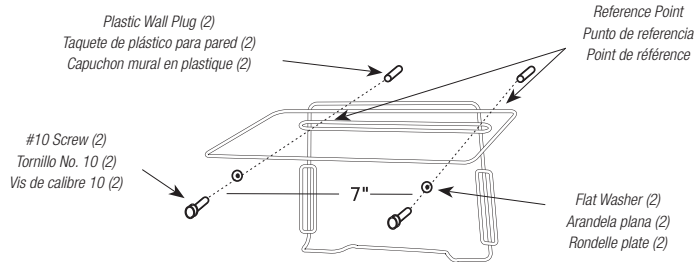


FIG. 2



Note: non-locking bracket shown for clarity

MOUNTING INSTRUCTIONS FOR USE WITH EXISTING PLASTIC WALL SAFE® BRACKET IN PLACE (FIGURE 1)

1. Slide wire bracket onto existing plastic Wall Safe bracket as shown.
2. Using the wire bracket as a template, drill small guide hole using reference point as shown. Remove wire bracket from Wall Safe bracket.
3. Drill 1/4" diameter hole at reference point at least 1-1/4" deep. Tap plug in wall with hammer to bring it flush to the wall. Reinstall wire bracket onto Wall Safe bracket. Screw on the wire bracket with the provided screw and washer shown.

INSTRUCTIONS FOR WIRE WALL BRACKET MOUNTED DIRECTLY TO WALL (FIGURE 2)

1. Using the wire bracket as a template, drill small guide holes in the desired location as shown. (Note: Reference points should be approximately 50" from the floor.) Remove wire bracket from wall.
2. Drill 1/4" diameter hole at a reference point at least 1-1/4" deep. Tap plugs into wall with a hammer to bring them flush with the wall. Screw on the wire bracket with the screws and washers provided as shown.

INCLUDED IN PACKAGE

- 5 Wire Wall Brackets
- 10 Plastic Wall Plugs
- 10 #10 x 1 – 1/4" pan head screws
- 10 Flat washers

The following instructions are for installation on both masonry and hollow wall; however, for hollow-wall mounting, please see special notes below.

EN EL PAQUETE SE INCLUYEN

- 5 Soportes de alambre para montaje en la pared
- 10 Taquetes de plástico para pared
- 10 Tornillos de cabeza troncocónica No. 10 x 1-1/4 pulgadas
- 10 Arandelas planas

Las siguientes instrucciones son para realizar la instalación en pared tanto de mampostería como hueca; sin embargo, para realizar el montaje en una pared hueca, sírvase consultar las notas especiales que aparecen más adelante.

COMPRIS DANS L'ENSEMBLE

- 5 supports muraux à fil
- 10 capuchons muraux en plastique
- 10 vis à tête cylindrique de 3,2 cm (1-1/4 po) de calibre 10
- 10 rondelles plates

Les instructions suivantes s'appliquent à l'installation sur un mur de maçonnerie et un mur creux; toutefois, consultez les notes ci-dessous pour l'installation sur un mur creux.

SPECIAL NOTE FOR HOLLOW WALLS

Metal expanding wall fasteners that require a 3/8" drill hole size or plastic toggle expanding wall fasteners that require a 5/16" drill hole size should be used. Fasteners requiring smaller diameter holes have screw heads that are too small for secure wall bracket fastening. **Typical recommended fasteners are:**

Molly fastener	CD6S	Metal fastener for 3/8" to 5/8" wallboard
Rawl anchor	2112	Metal fastener for 3/8" to 5/8" wallboard
Poly-Toggle anchor	2304	Plastic toggle fastener for 1/2" wallboard
Poly-Toggle anchor	2305	Plastic toggle fastener for 5/8" wallboard