



SharpSentinel® Wall Cabinet System

Installation Instructions / Directions for Use



#1031 3-Gallon with #1041 Glove Box for use with #333 Sharps Containers

Model 1031, 1231 - 3 gallon / Model 1051, 1251 - 5 quart / Model 1041 - glove box holder

Read all precautions and instructions before installing and using the SharpSentinel® Wall Cabinet System. Improper installation or use may result in exposure to infectious materials and the potential of needlestick injuries.

PRECAUTIONS

- Never place used sharps in empty cabinet
- Cabinet should always be locked except when installing or removing sharps container.
- Use only with designated Bemis sharps containers.
- Always close and permanently lock lid before removal of sharps container.
- IMPORTANT! Do not allow sharps container to exceed recommended fill line.

Lea todas las precauciones e instrucciones antes de instalar y utilizar el sistema de gabinete de pared SharpSentinel®. La instalación incorrecta o el uso indebido puede causar exposición a materiales infecciosos y el potencial de posibles lesiones por pinchazos de aguja.



#1051 5-Quart with #1041 Glove Box for use with #175 Sharps Containers

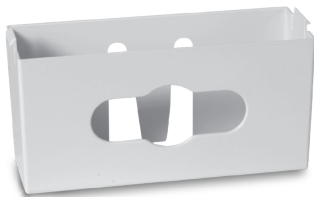
PRECAUCIONES

- No ponga nunca objetos punzocortantes usados en el gabinete vacío.
- El gabinete siempre debe estar cerrado con llave, excepto cuando se instale o retire el contenedor de objetos punzocortantes.
- Utilícelo únicamente con contenedores de objetos punzocortantes Bemis designados.
- Cierre y bloquee siempre permanentemente la tapa antes de retirar el contenedor de objetos punzocortantes.
- ¡IMPORTANTE! No deje que el contenedor de objetos punzocortantes exceda la línea de llenado recomendada.

Lisez toutes les mises en garde et instructions avant d'installer et d'utiliser le système d'armoire murale SharpSentinel®. Une installation ou une utilisation inadéquate peut avoir pour conséquence l'exposition à des substances infectieuses et causer potentiellement des blessures par piqûres d'aiguille.

MISES EN GARDE

- Ne placez jamais des objets piquants et tranchants déjà utilisés dans une armoire vide.
- L'armoire doit toujours être verrouillée, sauf lors de l'installation ou du retrait du contenant d'objets piquants et tranchants.
- N'utilisez cette armoire qu'avec les contenants Bemis désignés.
- Fermez et verrouillez toujours de manière permanente le couvercle d'un contenant d'objets piquants et tranchants avant de le retirer de l'armoire.
- IMPORTANT! Ne dépassez pas le repère recommandé de remplissage du contenant d'objets piquants et tranchants.



#1041 Glove Box Holder

#1031 UNIT SHOWN

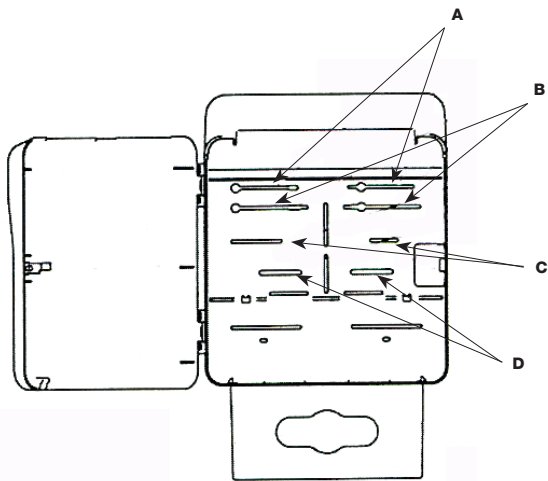


FIG. 1

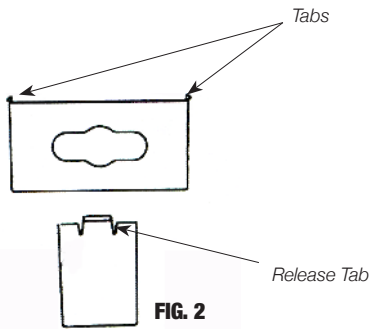


FIG. 2

SIDE VIEW

CLEANING INSTRUCTIONS FOR CABINET

Clean cabinet regularly to maintain appearance and function. Wipe exterior of cabinet with damp cloth and mild soap or disinfectant. Never clean with solvents such as acetone or alcohol. Do not attempt to clean interior of cabinet when sharps container is installed. Clean interior of cabinet using mild soap or disinfectant.

Installation Instructions

Cabinets can be installed using holes from existing units or on any new wall surface. Install at a recommended height of 53"-56" from top of cabinet to floor.

Note: Hardware not included. Use appropriate fasteners for your wall construction.

TO INSTALL ON NEW WALL SURFACE (FIGURE 1):

Do not drill holes without first checking for plumbing or wiring behind wall. Using back of cabinet as a template, mark hole locations with a pencil. Drilling at least four holes is recommended using mounting slots A, B, C or D. Drill holes and secure cabinet to wall using appropriate fasteners.

TO INSTALL USING EXISTING HOLES:

Loosen top fasteners left from existing bracket or cabinet and remove bottom fasteners. Slide new cabinet into position on top fasteners using keyhole slots. Replace bottom fasteners using any mounting slots C, D or below.

TO INSTALL OPTIONAL #1041 GLOVE BOX HOLDER TO CABINET (FIGURE 2):

Insert tabs on left and right side of glove box into matching slots on bottom of cabinet until it snaps into position.

TO REMOVE GLOVE BOX FROM CABINET:

Holding glove box with both hands, push in release tab on either left or right side while pulling down until glove box is removed.

Directions for use

TO INSERT SHARPS CONTAINER IN CABINET:

1. With biohazard label facing front, slide container straight into cabinet.
2. Close and lock cabinet door.

TO REMOVE FULL SHARPS CONTAINER FROM CABINET:

1. Insert final disposal tabs into slots on lid of sharps container. Push down and snap into place.
2. Unlock and open cabinet door.
3. Place both hands underneath handles and slide container out of cabinet. Dispose of according to hospital policy.
4. Insert new sharps container into cabinet; close and lock door.