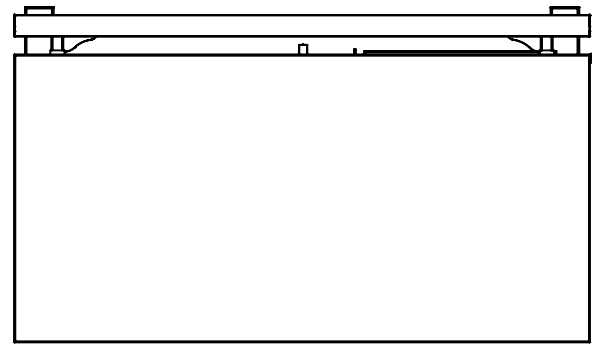


BACK TABLE PERFORMANCE 60"L X 34 1/8"W X (50 5/8"H Overall)

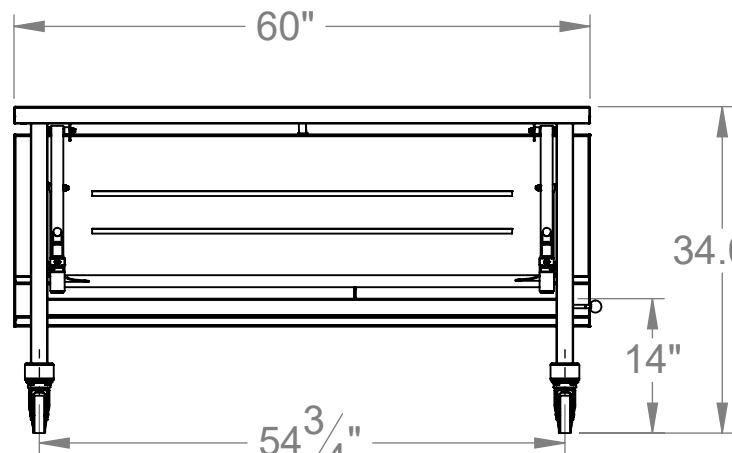
The Blickman Back Table Performance is designed to handle large cases such as orthopedics, spinal fusions, neuro, and caraniotomies. A tucked away cantilever shelf can be deployed to expand the work surface, holding multiple trays at an angle for easy viewing of the instruments. The shelf is assisted into place by gas springs for easy operation and has 3" height adjustment for ergoomic use. Mounted on 4" brake/swivel casters, the Back Table Performance is easily moveable into poisiton for use.

Material: Top, Shelf Upper Shelf, Channel -18 gauge
Handle lock channel, Sq tube, Round Tube -16 gauge, Side Cover
- 20 gauge, all Bracket -11 gauge, Legs base -14 gauge.

Construction: *Stainless Steel 300 Series:* Main Table 60"L x 30"W x 34"H,
Top Shelf 60"L x 20"W, Caster 4" dia.



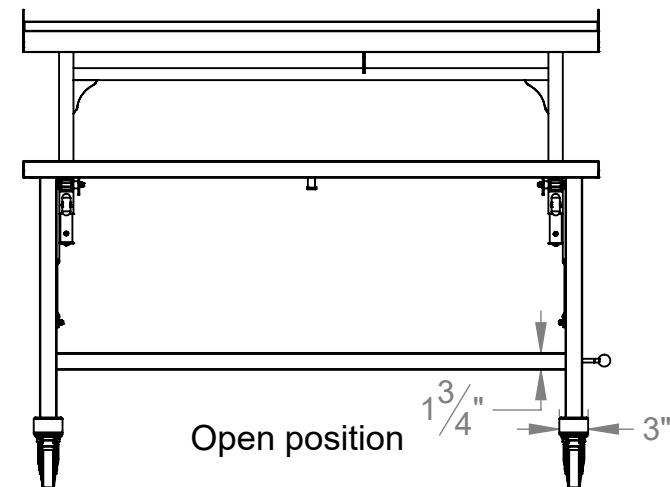
Shelf stowed position



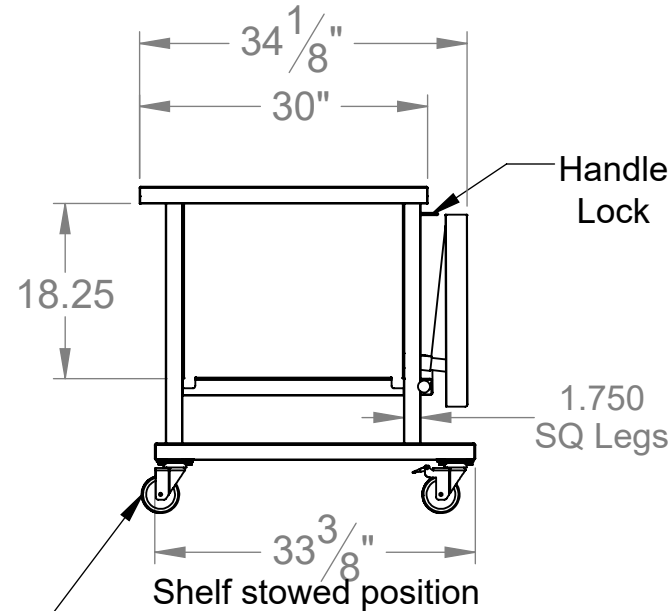
Shelf stowed position



Open position

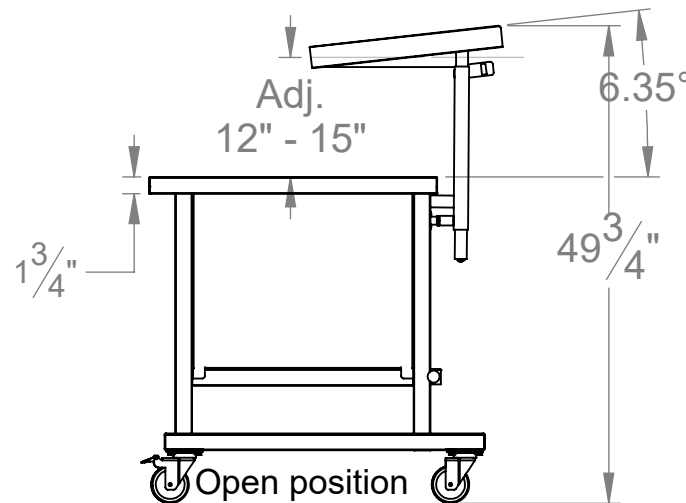


Open position

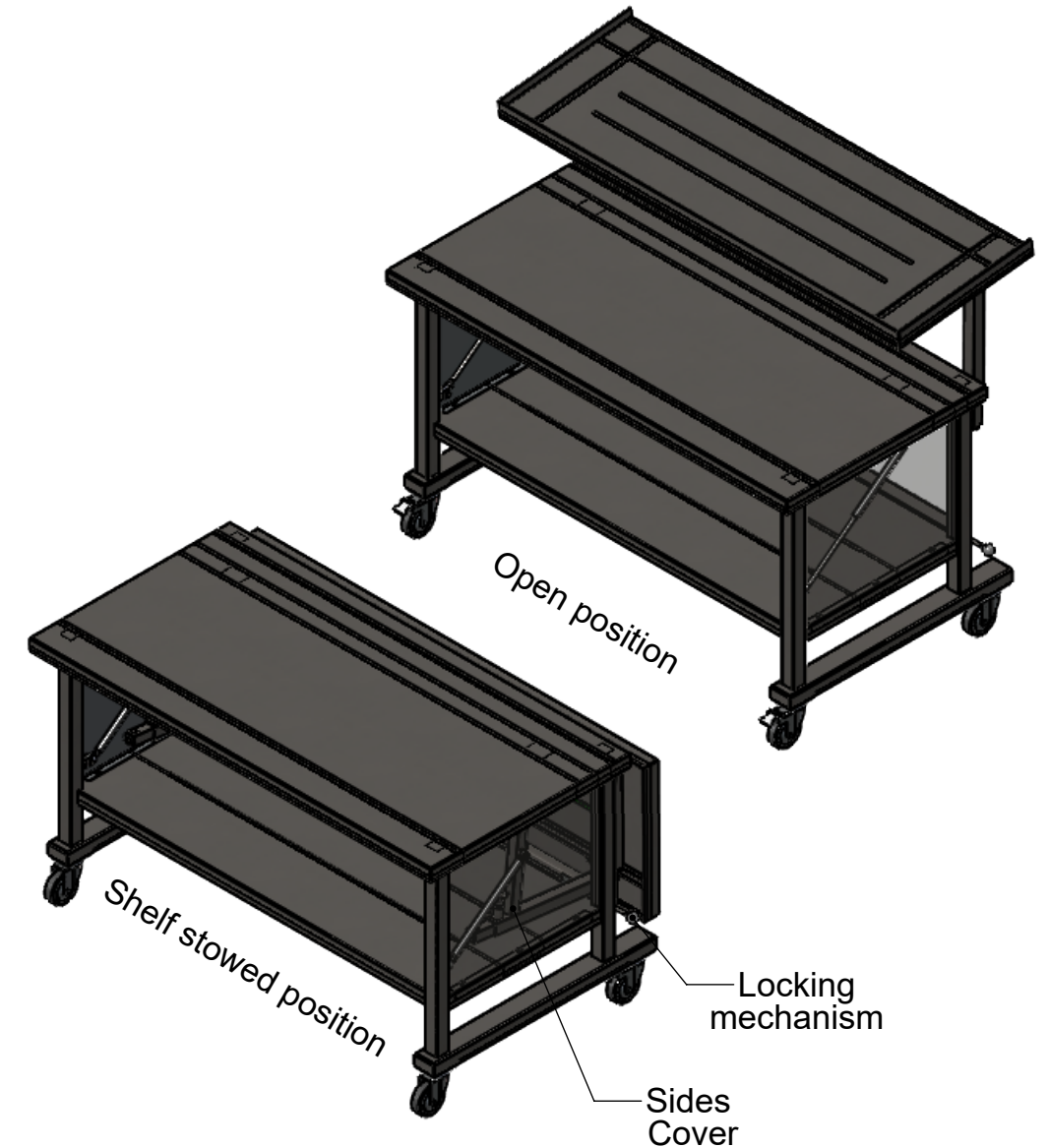


Shelf stowed position

(4) 4" Swivel Caster
(2) with lock



Open position



		NAME	DATE	BLICKMAN INDUSTRIES, LLC LYNDHURST, N.J.	
		DRAWN	M.J		
PO#: _____ DATE: _____		ENG APPR. _____		TITLE:	
APPROVAL: _____ TITLE: _____		MATERIAL		Back Table Performance,	
PROPRIETARY AND CONFIDENTIAL THE INFORMATION CONTAINED IN THIS DRAWING IS THE SOLE PROPERTY OF BLICKMAN HEALTH INDUSTRIES. ANY REPRODUCTION IN PART OR AS A WHOLE WITHOUT THE WRITTEN PERMISSION OF BLICKMAN HEALTH INDUSTRIES IS PROHIBITED.		Stainless Steel 304		60"L x 30"W x 34"H	
		FINISH		SIZE	
UNLESS OTHERWISE SPECIFIED:		Pol# 4		REV	
DIMENSIONS ARE IN INCHES		APPRX WEIGHT = 202.168 lbs		PA	
BEND RADIUS = MTL. THK.		DO NOT SCALE DRAWING		SCALE: 1:20	
TOLERANCES:		SCALE: 1:20		SHEET 1 OF 1	
FRACTION: ±1/8"					
DECIMAL: ±.125"					

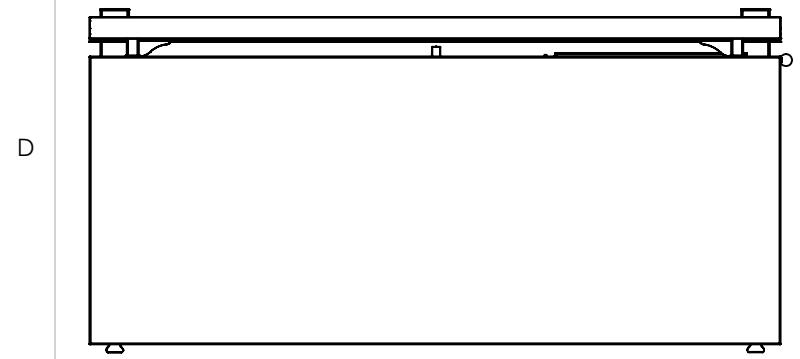
BACK TABLE PERFORMANCE 72"L X 34 1/8"W X (50 5/8"H Overall)

The Blickman Back Table Performance is designed to handle large cases such as orthopedics, spinal fusions, neuro, and caraniotomies. A tucked away cantilever shelf can be deployed to expand the work surface, holding multiple trays at an angle for easy viewing of the instruments. The shelf is assisted into place by gas springs for easy operation and has 3" height adjustment for ergoomic use. Mounted on 4" brake/swivel casters, the Back Table Performance is easily moveable into poisiton for use.

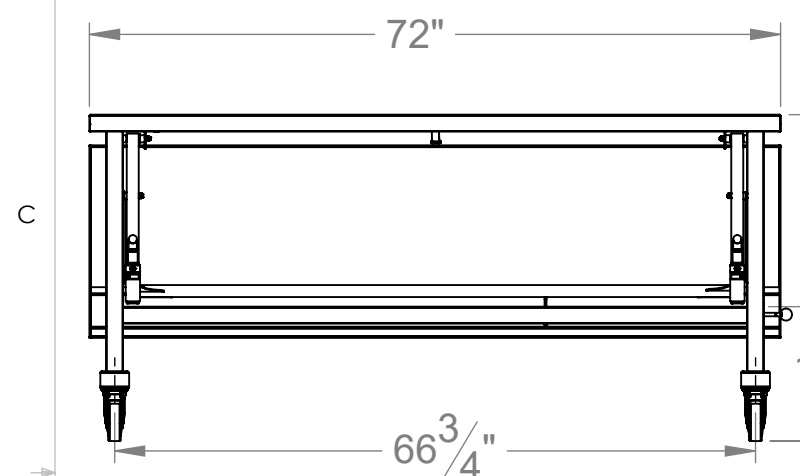
Material: Top, Shelf Upper Shelf, Channel -18 gauge
Handle lock channel, Sq tube, Round Tube -16 gauge, Side Cover
- 20 gauge, all Bracket -11 gauge, Legs base -14 gauge.

Construction: Stainless Steel 300 Series: Main Table 60"L x 30"W x 34"H,
Top Shelf 60"L x 20"W, Caster 4" dia.

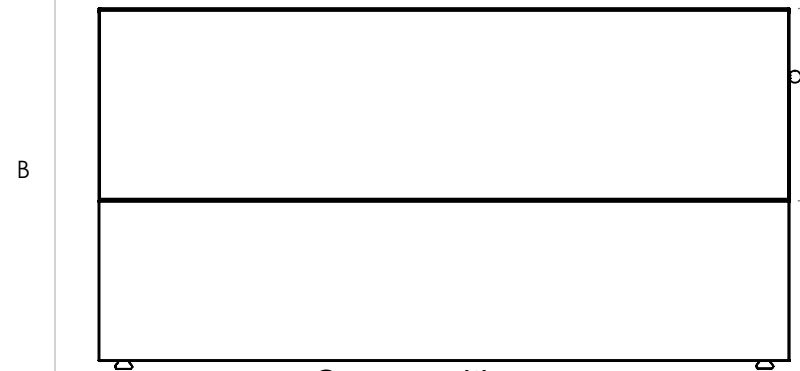
Rev	Description	Date	Approval
PA	Bl Baseline	01/30/23	



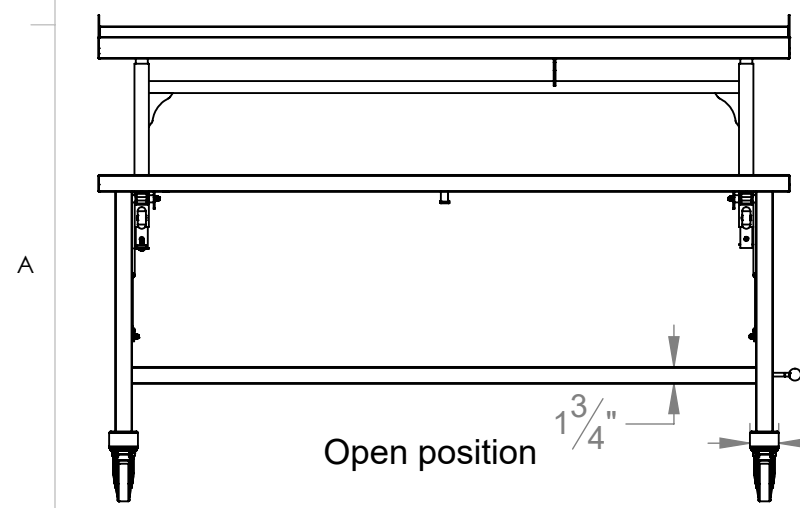
Shelf stowed position



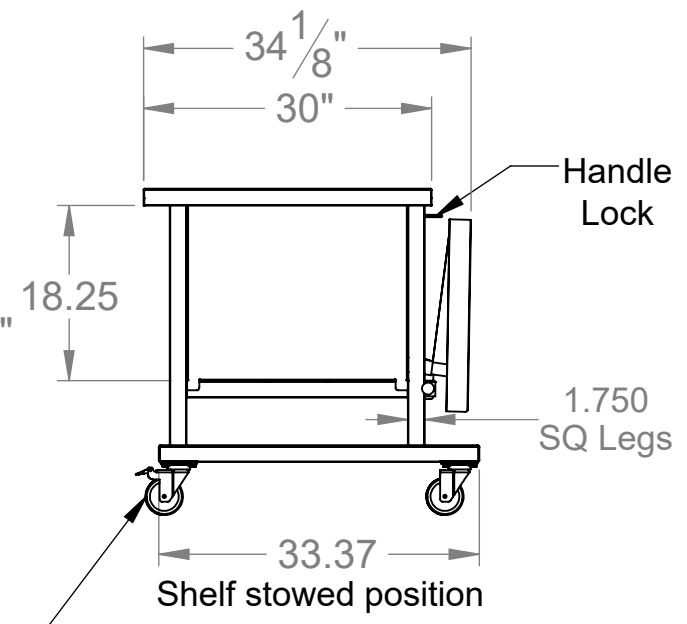
Shelf stowed position



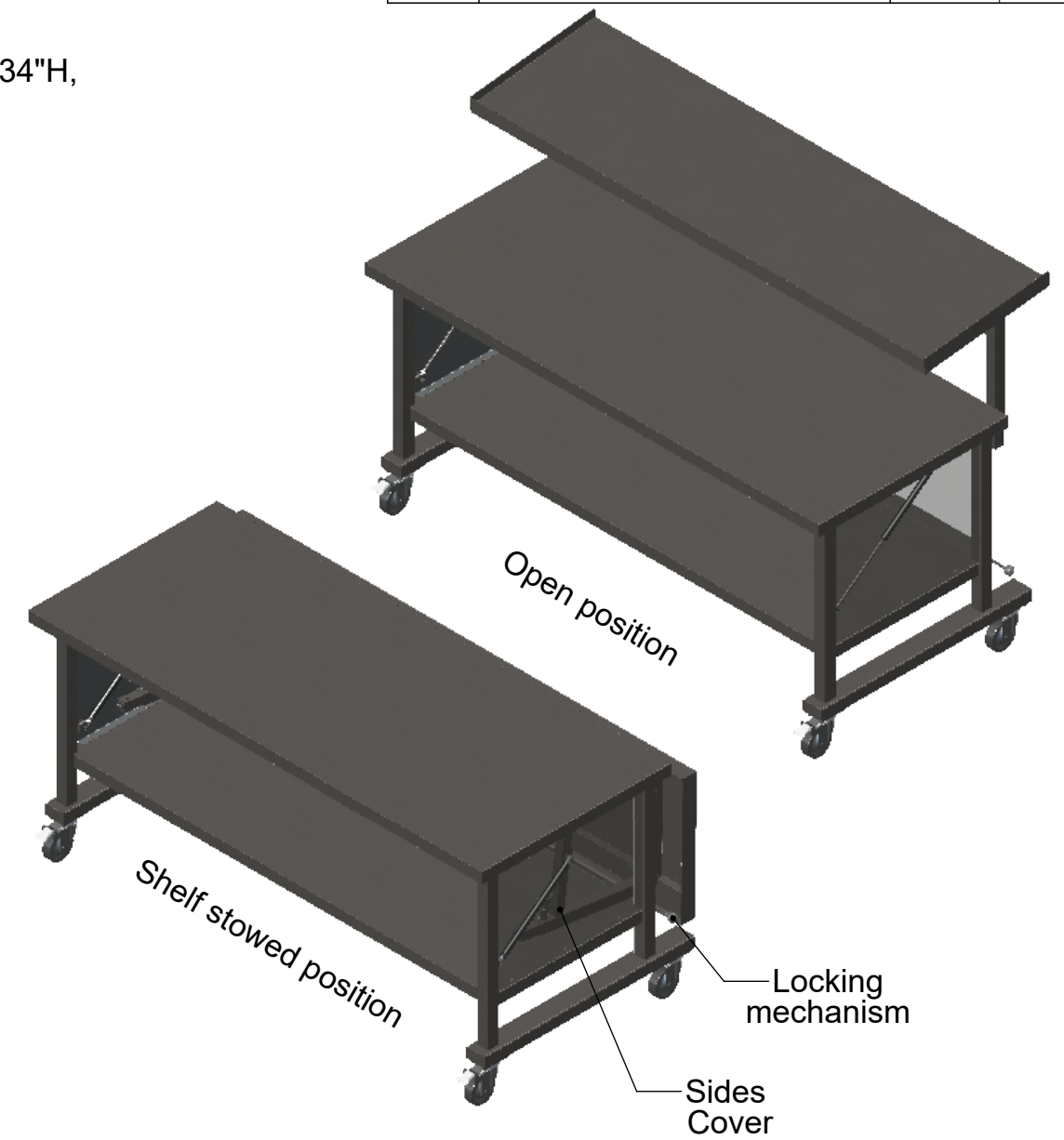
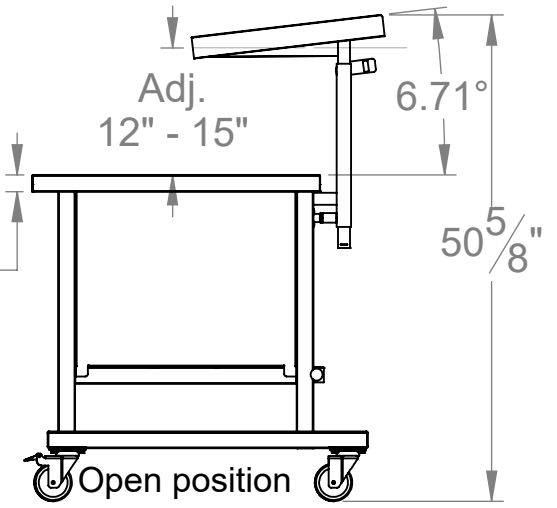
Open position



Open position



(4) 4" Swivel Caster
(2) with lock



		NAME	DATE	BLICKMAN INDUSTRIES, LLC LYNDHURST, N.J.	
		DRAWN	M.J		
PO#: _____ DATE: _____		ENG APPR.		TITLE:	
APPROVAL: _____ TITLE: _____		MATERIAL		Back Table Performance, 72"L x 30"W x 34"H	
PROPRIETARY AND CONFIDENTIAL THE INFORMATION CONTAINED IN THIS DRAWING IS THE SOLE PROPERTY OF BLICKMAN HEALTH INDUSTRIES. ANY REPRODUCTION IN PART OR AS A WHOLE WITHOUT THE WRITTEN PERMISSION OF BLICKMAN HEALTH INDUSTRIES IS PROHIBITED.		Stainless Steel 304		SIZE	PART NO.
		FINISH		Pol# 4	B
UNLESS OTHERWISE SPECIFIED:		APPRX WEIGHT = 221.443 lbs		SCALE: 1:20	REV
DIMENSIONS ARE IN INCHES BEND RADIUS = MTL. THK.		DO NOT SCALE DRAWING			PA
TOLERANCES: FRACTION: ±1/8" DECIMAL: ±.125"		SCALE: 1:20		SHEET 1 OF 1	