

CHEVALIER

# Hydraulic STRETCHER



 **MEDEGEN**  
Medical Products  
An Inteplast Group Company

# FEATURES



## Wave-Shape Siderail

Collapsible stainless siderail with ABS wave-shape handle is rust-proof and easy to grasp and clean.

## Siderail Safety Release

Pull out the locking safety release before folding down siderails to ensure patient safety.



# ACCESSORIES



## Foot-End Shelf

- Available to set EKG monitor or become a writing board.
- Easy to store when not in use.

“The ER stretchers we purchased from Medegen are incredible. They function very smoothly and the mattress is comfortable. The flat surfaces make them easy to clean for a quick turnaround. Our rep came in and assembled the stretchers for us and gave a demonstration which is not very common out here in rural Texas. We appreciate the awesome service we received and look forward to continuing our relationship with Medegen.”



## Hi-Lo Function

- Hydraulic system with sophisticated mechanism provides a steady, durable, safe and comfortable elevation function.
- The height of beds can adjust from 22.05° to 35.04° by stepping on the hi-low pedal located on both sides of stretcher.

## Trend / Reverse Trend Function

The Trend/Reverse Trend function can adjust from -16 to 16 degrees with stability and safety at any height of the stretcher.



## Chair Position Function

- Settable Chair Position\*.
- Various position choices offered to improve patient comfort.

\*Only available on stretcher with ½ body radiolucent board

**1 I.V. Pole**

Two-step adjustable stainless I.V. pole (4-section)

**2 Foot Position Lever**

Two-step foot lever enables foot section up to 15 degrees.



**3 Name Card Holder (optional)**

Located at the foot-end of the bed. Easy to place and replace patients' name cards.



**4 Knee Position Crank**

Manual crank is located at the foot-end and enables the knee section shifting from 0 to 40 degrees.



**5 Base Cover**

ABS Base Cover with storage bin.

**6 Drainage Bag Hooks**

Total 6 hooks available. 3 on each side of stretchers.

**7 Foot Pedal**

The foot pedal controls the height and tilt positions of stretcher by hydraulic mechanism.



8

**8 Restraint Strap Holder**

Total 10 holders available, 5 on each side of the stretcher.

**9 Fifth Wheel (optional)**

Fifth Wheel can improve the maneuverability of the stretcher.



**10 Caster**

8" central brake caster with dust-proof cover.

12



# Hydraulic STRETCHER

## 11 Central Braking and Steering Pedal

Enables stretchers to move, brake and steer.



## 12 Side Rail

ABS Collapsible Siderail

## 13 X-ray Platform

The X-ray platform is available for medical treatment in two choices:

1. Movable full-length X-ray platform.
2. Compact backrest X-ray platform.

## 14 Back Position Handle

The backrest is easily positioned from 0 to 90 degrees using a dual gas-spring set below the backrest platform.



## 15 Driving Handle

Driving handle can be located at either head, foot or both ends for smooth movement and can be stored while not in use.



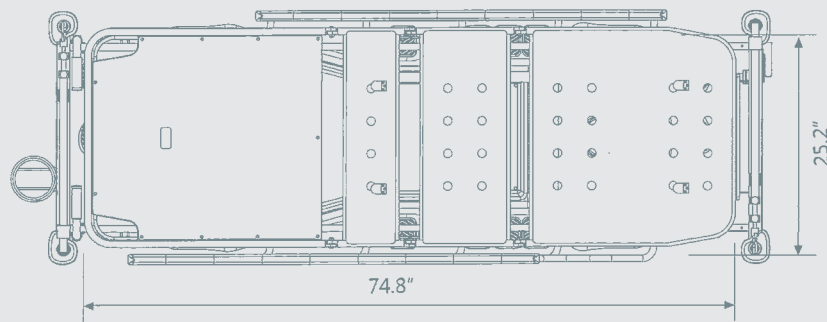
## 16 ABS Corner Bumper

4 rounded ABS corner bumpers are set at each corner of the stretcher.

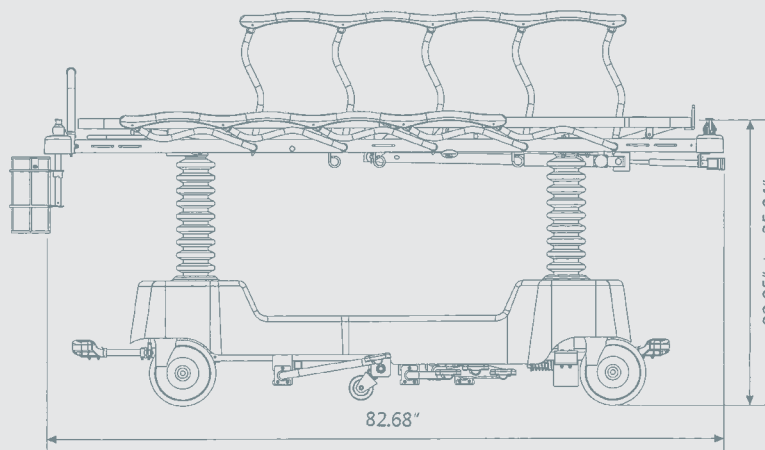
## 17 Oxygen Tank Holder (optional)

0.5 m<sup>3</sup> Oxygen Tank Holder, located at the head section, can rotate in/out, according to medical requirement.

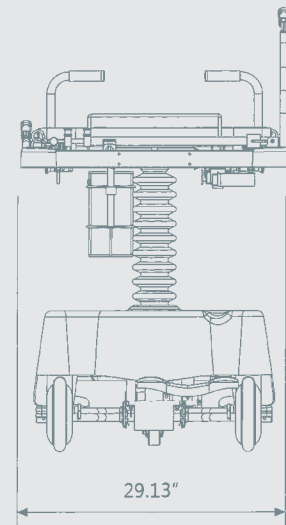




**Top View**



**Front View**



**Right View**

## SPECIFICATIONS

### Dimension

Overall Size	L 82.68" x W 29.13"
Sleeping Surface	L 74.8" x W 25.2"
Siderail	L 47.24" x W 14.57"

### Positioning

Hi-Low Range	22.05" – 35.04"
Backrest	0 – 90°
Knee Gatch	0 – 40°
Trend / Reverse Trend	0 ± 16°
Max. Weight Capacity	230 kgs (500 lbs)

### Standard Accessories

Driving Handle	1ST
Fixed I.V. Pole	2PC

### Optional Accessories

Mattress	
Mattress Cover	
Fifth Wheel	
0.5 m <sup>3</sup> Oxygen Tank Holder	
Foot-End Shelf	

## LIMITED 2 YEAR WARRANTY