

350-10-3M

WHEELCHAIR SCALE



RICE LAKE[®]
WEIGHING SYSTEMS



NONSLIP METAL
PLATFORM

350-10-3M

DUAL-RAMP WHEELCHAIR SCALE

Rice Lake's 350-10-3M is a dual ramp, metal wheelchair scale in the 350-10 Series family. This durable scale offers accurate, high-capacity weighing for a wide range of patients. The 350-10-3M has a large, stable scale base with a nonslip surface to ensure safety during patient weighing. Easy to set up, this foldable scale can be quickly moved on two heavy-duty rear wheels for efficient patient weighing in different locations.

FEATURES

- Large LCD display
- Antimicrobial keypad
- Two wheels for portability
- Dual ramp
- Nonslip platform
- Motiontrap™ movement compensation technology
- Unit of measure toggle or locking
- EMR capable
- Serial and USB data communication ports
- Bluetooth® BLE 4.0 available, part number selectable
- Tare function
- Hold function
- BMI (body mass index) function
- Factory calibrated
- Easy to store, folded depth is 11.75 in (29.8 cm)

SPECIFICATIONS

Capacity:

1,000 × 0.2 lb (450 × 0.1 kg)

Platform Dimensions:

(L × W × H)

29.50 × 31.50 × 3.15 in

Power:

9 VDC, provided by six AA alkaline batteries (included) or AC adapter (optional)

Battery Type:

Six AA alkaline (included)

Battery Use:

25 hours of continuous use with batteries
Automatic power-off can be configured

Display:

5-digit LCD display, 0.75 in (1.9 cm) digit height

Temperature:

Operating:
50 °F to 104 °F (10 °C to 40 °C)

Warranty:

Two-year limited





WHEELCHAIR SCALE

| MODEL | CAPACITY | COMMUNICATION | PART # |
|--------------|------------------------------|--------------------|--------|
| 350-10-3M | 1,000 × 0.2lb (450 × 0.1 kg) | USB | 193956 |
| 350-10-3MBLE | 1,000 × 0.2lb (450 × 0.1 kg) | Bluetooth® BLE 4.0 | 203910 |

OPTIONS

| DESCRIPTION | PART # |
|--|--------|
| 9 VDC adapter, 120 V/230 V auto switching c-MET* <i>Medical grade power supply</i> | 115655 |
| 9 VDC adapter, 120 V/230 V auto switching* | 133077 |
| 9 VDC adapter, 230 V** | 102508 |
| Epson TM-U220 tape printer | 81076 |
| Cable, RS232 scale to printer, 6 ft, 25-pin D-Sub (male) to RJ45 | 186830 |
| Cable, USB 6 ft USB-A (male) to USB-B (male) | 79074 |
| Cable, Communication DB9 (female) to RJ45 (male), 4 conductor | 217091 |

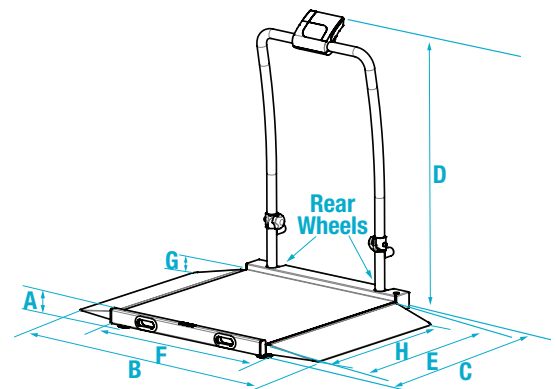
*NEMA 1-15 Plug  **CEE 7/16 Plug 

SHIPPING WEIGHT

| MODEL # | PART # | L (IN) | W (IN) | H (IN) | PACKAGE WGT. (LB) | DIM WGT. (LB) | SHIPPING WGT. (LB) |
|--------------|--------|--------|--------|--------|-------------------|---------------|--------------------|
| 350-10-3M | 193956 | 51 | 42 | 14 | 102 | 216 | 216 |
| 350-10-3MBLE | 203910 | 51 | 42 | 14 | 102 | 216 | 216 |

DIMENSIONS

| | INCHES | CENTIMETERS | | INCHES | CENTIMETERS |
|----------|--------|-------------|----------|--------|-------------|
| A | 3.15 | 8.0 | E | 31.50 | 80.0 |
| B | 47.70 | 121.2 | F | 29.50 | 74.9 |
| C | 37.80 | 96.0 | G | 2.40 | 6.1 |
| D | 45.30 | 115.1 | H | 27.20 | 69.1 |



MEDICAL SCALES

Medical Indicator, Titanium



Part Number/Price

| Ref# | Part# | Description | Price |
|------|---------------|----------------------------|---------|
| | 131583 | Indicator | Consult |
| 10 | 164239 | Front, 150 indicator kit | Consult |
| 20 | 164240 | Hardware | Consult |
| 30 | 164241 | Circuit | Consult |
| | 204810 | Circuit with Bluetooth 2.0 | Consult |
| | 204811 | Circuit with BLE | Consult |
| 40 | 164242 | Back panel | Consult |
| 50 | 164243 | Table | Consult |
| 60 | 164247 | Back cover | Consult |
| 70 | 164248 | Cover | Consult |
| | 133077 | Power supply, A/C adapter | Consult |

Medical Scales

