



SD-1150-WP

DIALYSIS WHEELCHAIR SCALE

The Summit™ SD-1150-WP dialysis wheelchair scale is designed to accommodate the unique needs of dialysis patients. It is designed to be pit-mounted flush with the floor for multipurpose weighing. Its heavy-duty handrail enhances patient safety and convenience, and is positioned to remain clear of wheelchairs. Convenient keypad tare reduces errors and increases efficiency.

FEATURES

- Package includes scale, pit frame, handrail and indicator
- Large LCD display
- Antimicrobial keypad
- Heavy-duty mild steel construction
- Live handrail for accuracy and patient safety
- Unit of measure toggle or locking
- Motiontrap™ movement compensation technology
- EMR capable
- Serial and USB data communication ports
- Bluetooth® BLE 4.0 available, part number selectable
- Tare function
- Hold function
- BMI (body mass index) function
- Factory calibrated

SPECIFICATIONS

Capacity:
1,000 × 0.2 lb (450 × 0.1 kg)

Platform Dimensions:
(L × W × H)
36.00 × 36.00 × 3.00 in

Power:
9 VDC, provided by six AA alkaline batteries (included) or AC adapter (optional)

Battery Type:
Six AA alkaline (included)

Battery Use:
25 hours continuous use with batteries
Automatic power-off can be configured

Display:
5-digit LCD display, 0.75 in (1.9 cm) digit height

Cable Length:
10 ft (3.1 m) cable between scale base and indicator

Temperature:
Operating:
50 °F to 104 °F (10 °C to 40 °C)

Warranty:
Two-year limited





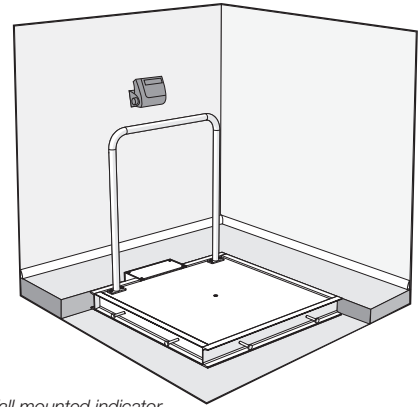
WHEELCHAIR SCALE

MODEL	CAPACITY	COMMUNICATION	PART #
SD-1150-WP	1,000 × 0.2 lb (450 × 0.1 kg)	USB	150707
SD-1150-WPBLE	1,000 × 0.2 lb (450 × 0.1 kg)	Bluetooth® BLE 4.0	205978

OPTIONS

DESCRIPTION	PART #
9 VDC adapter, 120 V/230 V auto switching*	133077
9 VDC adapter, 230 V**	102508
Epson TM-U220 tape printer	81076
Cable, RS232 scale to printer, 6 ft, 25-pin D-Sub (male) to RJ45	186830

*NEMA 1-15 Plug  **CEE 7/16 Plug 



Wall mounted indicator, cable enclosed in customer supplied conduit.



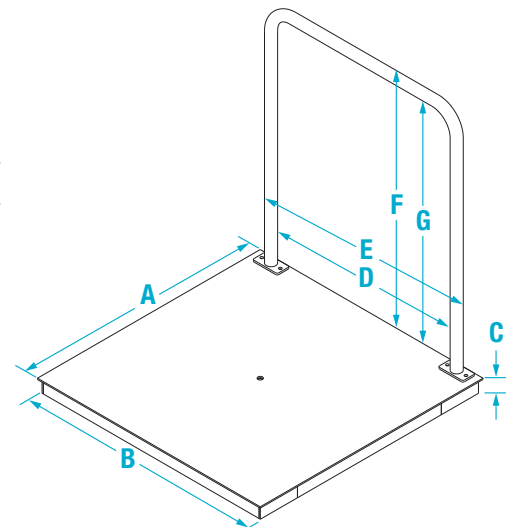
SHIPPING WEIGHT

MODEL #	PART #	L (IN)	W (IN)	H (IN)	PACKAGE WGT. (LB)	DIM WGT. (LB)	SHIPPING WGT. (LB)
SD-1150-WP	150707	40	39	15	246	169	246
SD-1150-WPBLE	205978	40	39	15	246	169	246

*Pallet weight and dimensions are included in shipping weights

DIMENSIONS

	INCHES	CENTIMETERS		INCHES	CENTIMETERS
A	36.00	91.4	E	31.50	80.0
B	36.00	91.4	F	37.00	94.0
C	3.00	7.6	G	35.50	90.2
D	28.5	72.4			



Wheelchair Scales

Pit Frame Concrete Details

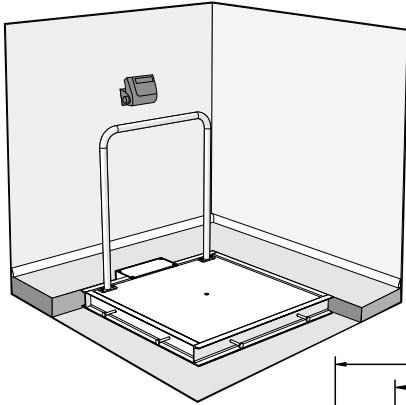
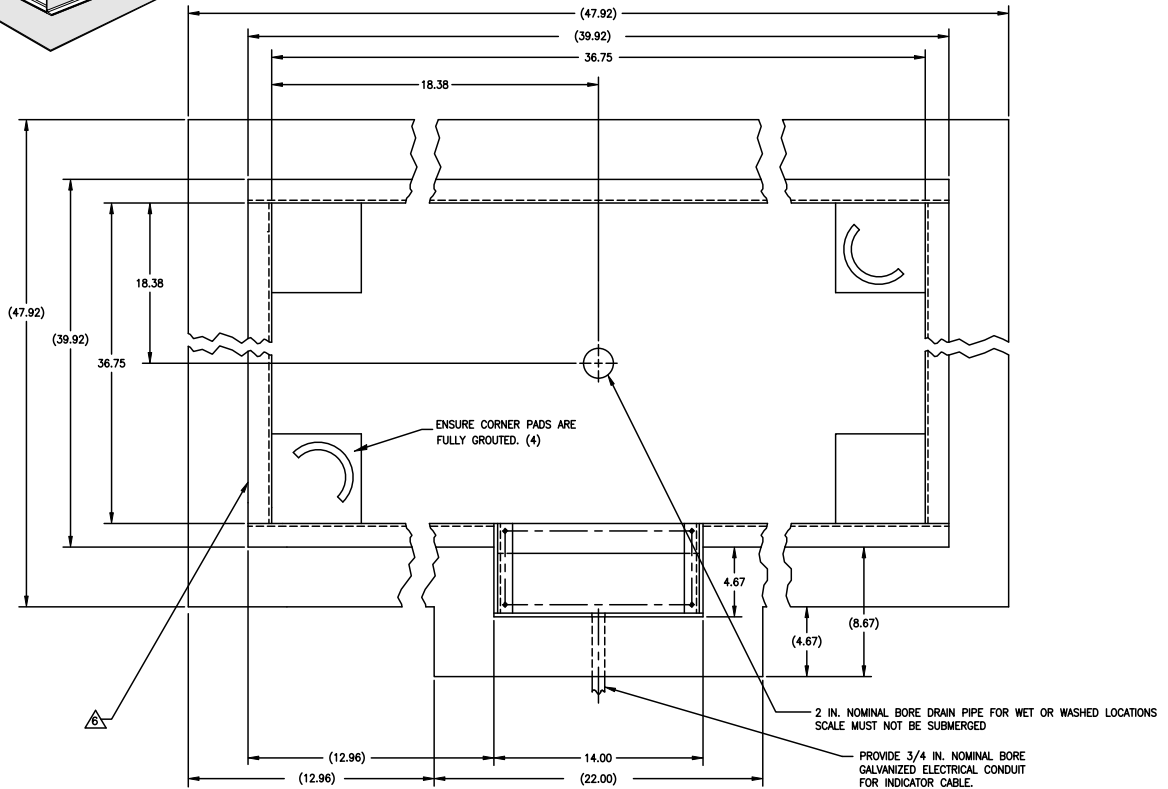
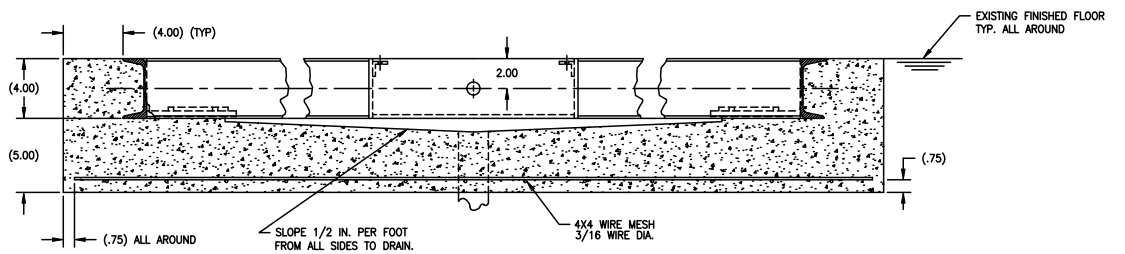


Image illustrates pit frame exposed to show detail.



NOTE: HANDRAIL ON SCALE WILL MOUNT ON SAME SIDE AS JUNCTION BOX POCKET



NOTE:

1. USE CONCRETE OF MINIMUM YIELD STRENGTH 5000 PSI OR 6-BAG MIX.
2. ALLOW 7 DAYS TO CURE. WET CONCRETE PERIODICALLY DURING THIS TIME.
3. DIMENSIONS SHOWN ASSUME FIRM, STABLE SOIL CONDITIONS. WHEN SOIL CONDITIONS ARE NOT ADEQUATE, PLACE FOUNDATION AT SUFFICIENT DEPTH.
4. IN WET OR WASHDOWN APPLICATIONS WE RECOMMEND THE USE OF HERMETICALLY SEALED LOAD CELLS, AND THAT THE JUNCTION BOX BE MOUNTED REMOTELY IN A DRY LOCATION.
5. WIRE MESH TO HAVE MINIMUM .75 COVER BOTTOM AND SIDES.

ON STAINLESS STEEL VERSIONS, TWO PIECES OF 2 INCH ANGLE WILL BE SUBSTITUTED FOR THE 4 INCH CHANNEL.

MEDICAL SCALES
Dialysis Scale

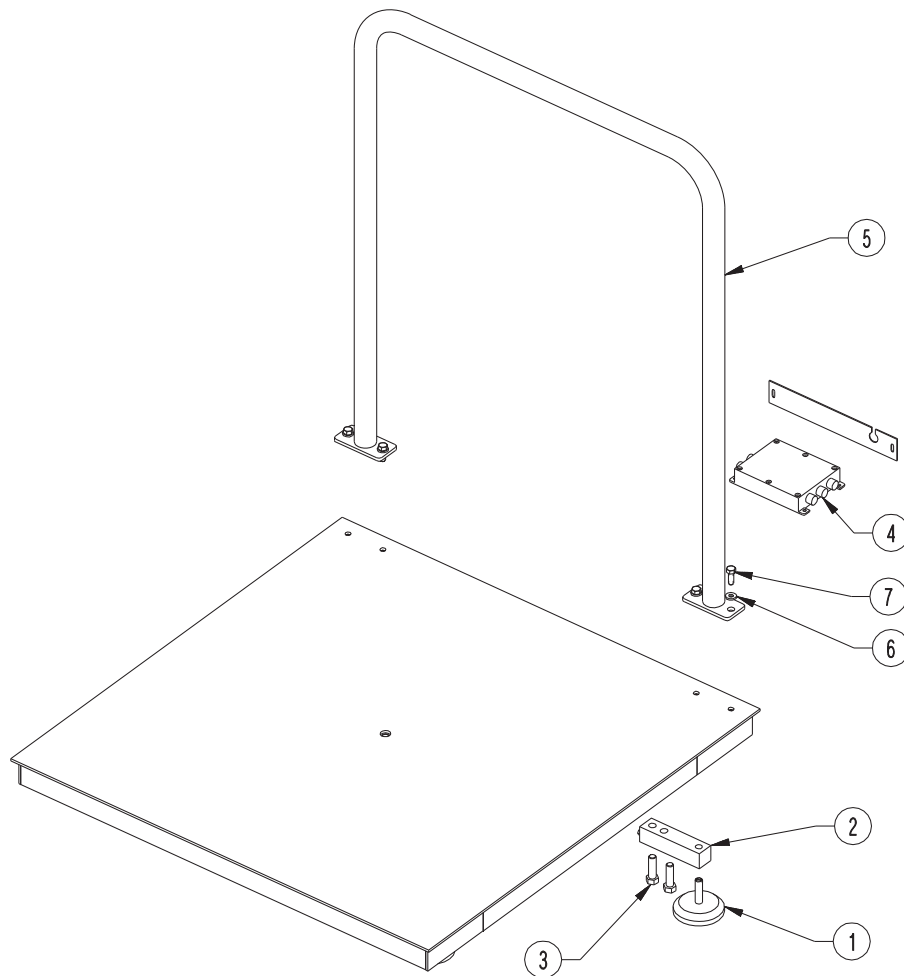
Part Number/Price

Ref#	Part#	Description	Price
1	18756	Foot	Consult
2	21507	Load cell	Consult
3	30532	Load cell bolts	Consult
4	73428	Junction box	Consult
5	107901	Handrail tube and base plate	Consult
6	107902	Washer	Consult
7	15019	Hex head screw	Consult
	106953	Cable, junction box to indicator	Consult
	100719	RS-232 serial cable	Consult

(See Diagram Dialysis-A)



Dialysis Scale
 Model SD-1150-WP



Dialysis-A

Medical Scales

MEDICAL SCALES

Medical Indicator, Titanium



Part Number/Price

Ref#	Part#	Description	Price
	131583	Indicator	Consult
10	164239	Front, 150 indicator kit	Consult
20	164240	Hardware	Consult
30	164241	Circuit	Consult
	204810	Circuit with Bluetooth 2.0	Consult
	204811	Circuit with BLE	Consult
40	164242	Back panel	Consult
50	164243	Table	Consult
60	164247	Back cover	Consult
70	164248	Cover	Consult
	133077	Power supply, A/C adapter	Consult

Medical Scales

