

34 INCHES WIDE

RL-350-5

SINGLE-RAMP PORTABLE BARIATRIC WHEELCHAIR SCALE

Rice Lake's RL-350-5 single-ramp portable bariatric wheelchair scale allows high-capacity, accurate weighing for patients who are unable to be transported to a scale. Featuring a 34-inch scale base with single ramp, wheelchairs can easily be wheeled on and off the scale. Convenient keypad tare reduces errors and increases efficiency. For added safety, this scale features an anti-slip rubber surface and raised edges on the weighing platform.

FEATURES

- Large LCD display
- Antimicrobial keypad
- Integrated handles and wheels for easy transport
- Large, stable scale base
- Metal nonslip platform
- Motiontrap™ movement compensation technology
- Unit of measure toggle or locking
- EMR capable
- Serial and USB data communication ports
- Bluetooth® BLE 4.0 available, part number selectable
- Tare function
- Hold function
- BMI (body mass index) function

SPECIFICATIONS

**Capacity:**

1,000 × 0.2 lb (450 × 0.1 kg)

Platform Dimensions Without Ramp:

(L × W × H)
34.0 × 34.0 × 2.2 in

Power:

9 VDC, provided by six AA alkaline batteries (included) or AC adapter (optional)

Battery Type:

Six AA alkaline (included)

Battery Use:

25 hours of continuous use with batteries
Automatic power-off can be configured

Cable Length:

9 ft (2.7 m) cable between scale base and indicator

Display:

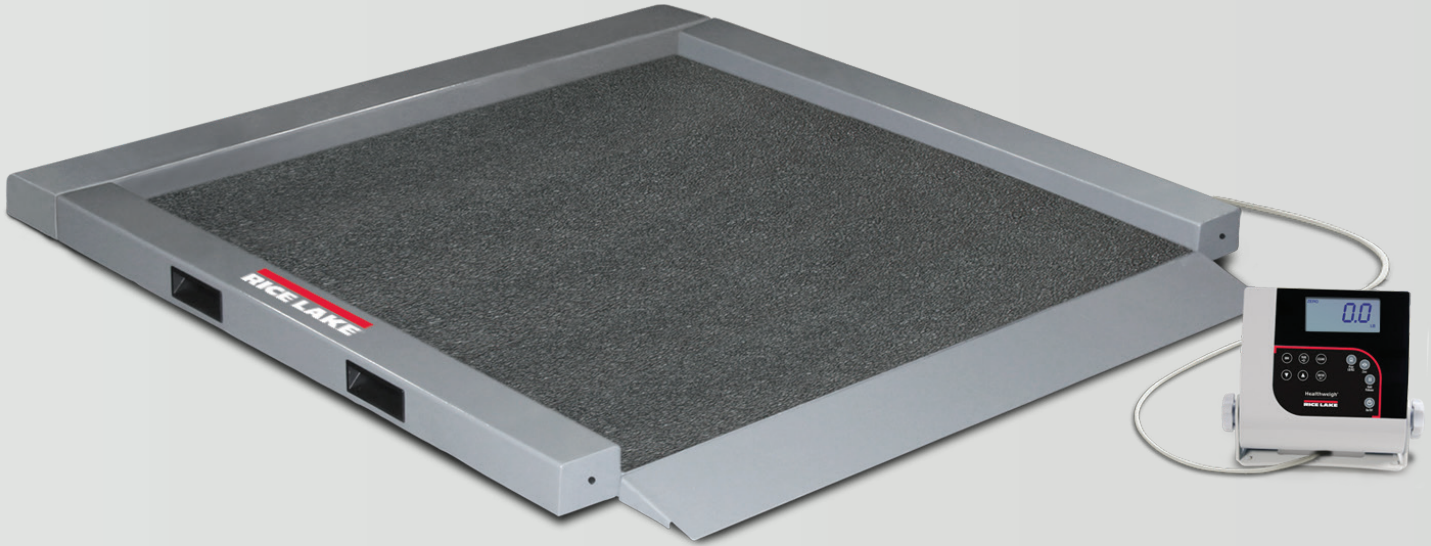
5-digit LCD display, 0.75 in (1.9 cm) digit height

Temperature:

Operating:
50 °F to 104 °F (10 °C to 40 °C)

Warranty:

Two-year limited



WHEELCHAIR SCALE

MODEL	CAPACITY	COMMUNICATION	PART #
RL-350-5	1,000 × 0.2lb (450 × 0.1 kg)	USB	150703
RL-350-5BLE	1,000 × 0.2lb (450 × 0.1 kg)	Bluetooth® BLE 4.0	205976

OPTIONS

DESCRIPTION	PART #
9 VDC adapter, 120 V/230 V auto switching*	133077
9 VDC adapter, 230 V**	102508
Epson TM-U220 tape printer	81076
Cable, RS232 scale to printer, 6 ft, 25-pin D-Sub (male) to RJ45	186830
Cable, USB 6 ft USB-A (male) to USB-B (male)	79074
Cable, Communication DB9 (female) to RJ45 (male), 4 conductor	217091

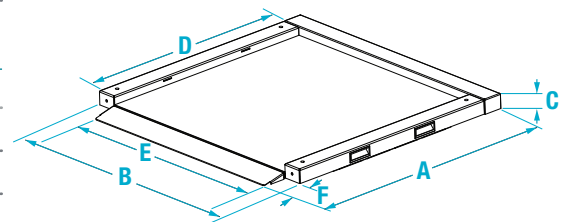
*NEMA 1-15 Plug  **CEE 7/16 Plug 

SHIPPING WEIGHT

MODEL #	PART #	L (IN)	W (IN)	H (IN)	PACKAGE WGT. (LB)	DIM WGT. (LB)	SHIPPING WGT. (LB)
RL-350-5	150703	43	43	11	154	147	154
RL350-5BLE	205976	43	43	11	154	147	154

DIMENSIONS

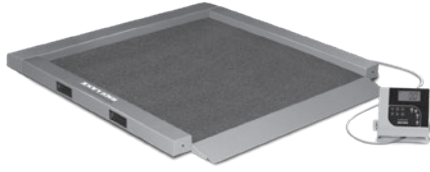
	INCHES	CENTIMETERS		INCHES	CENTIMETERS
A	41.00	104.1	D	34.00	86.4
B	40.00	101.6	E	34.00	86.4
C	2.20	5.6	F	3.70	9.4



MEDICAL SCALES

Portable Bariatric/Wheelchair Scale

Single Ramp



Portable Bariatric/Wheelchair Scale
Single Ramp with Wheel Stop
Model RL-350-5

Part Number/Price

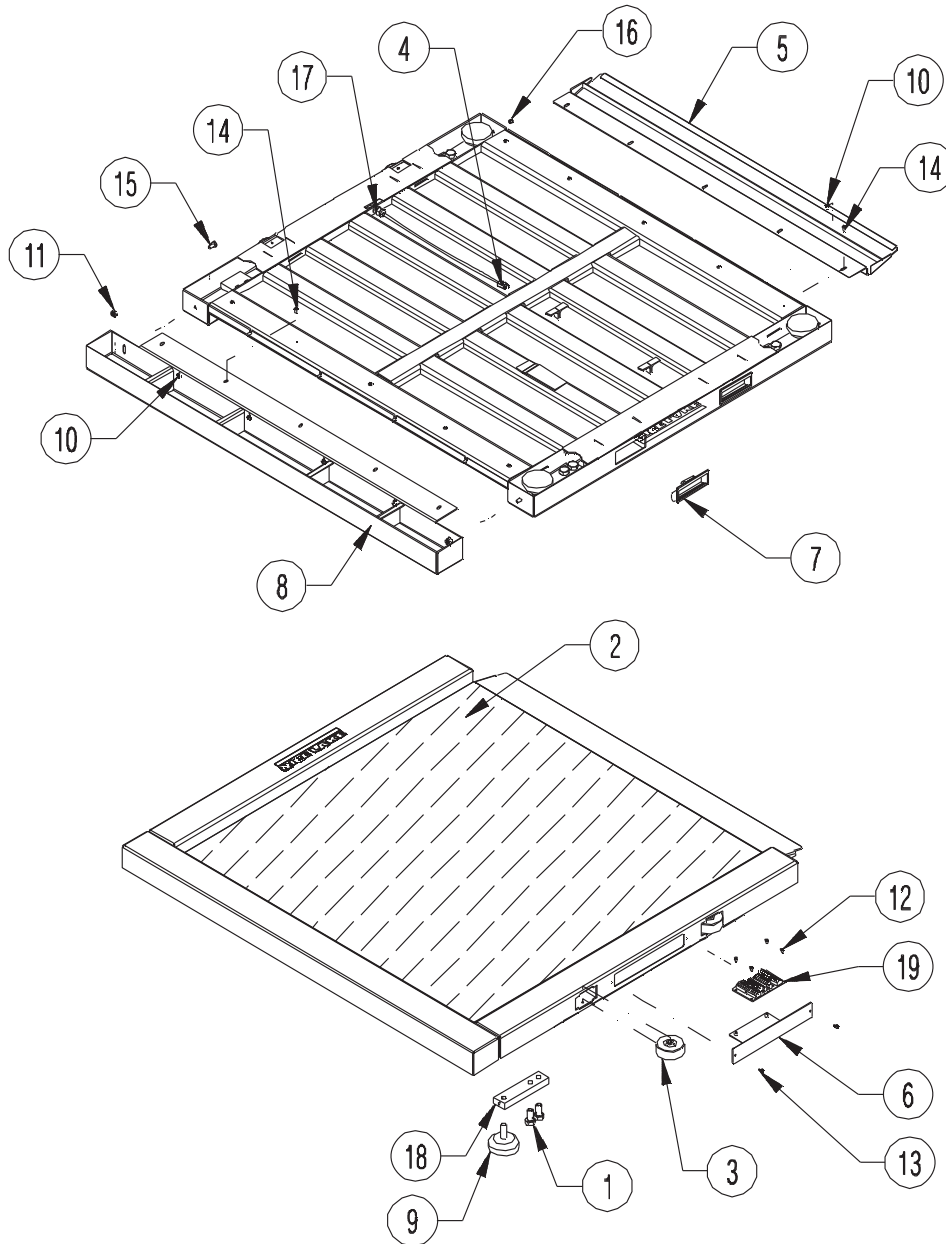
Ref#	Part#	Description	Price
	100719	RS-232 serial cable	Consult
3	105373	Wheel kit (includes wheel, torque nut, screw, scotch mate hoops)	Consult
4	106953	Cable assembly	Consult
5	113030	Ramp	Consult
6	113031	Junction box cover	Consult
7	113033	Handle insert	Consult
8	114413	Wheelchair stop	Consult
9	114614	Foot	Consult
10	14626	Nut, kep 8-32NC hex	Consult
11	14635	Nut, lock 1/4-20NC hex	Consult
12	14839	Screw, mach 6-32NC x 1/4	Consult
13	14857	Screw, mach 8-32NC x 1/4	Consult
14	14862	Screw, mach 8-32NC x 3/8	Consult
15	14955	Screw, cap 1/4-20NC x 1/2	Consult
17	58983	Cord grip	Consult
18	84838	Load cell	Consult
19	88958	Junction box board	Consult

Note: See page 214 for indicator parts

(See Diagram Portable Bariatric/Wheelchair Scale Single Ramp)

Portable Bariatric/Wheelchair Scale

Single Ramp



Portable Bariatric/Wheelchair Scale Single Ramp

Medical Scales

MEDICAL SCALES

Medical Indicator, Titanium



Part Number/Price

Ref#	Part#	Description	Price
	131583	Indicator	Consult
10	164239	Front, 150 indicator kit	Consult
20	164240	Hardware	Consult
30	164241	Circuit	Consult
	204810	Circuit with Bluetooth 2.0	Consult
	204811	Circuit with BLE	Consult
40	164242	Back panel	Consult
50	164243	Table	Consult
60	164247	Back cover	Consult
70	164248	Cover	Consult
	133077	Power supply, A/C adapter	Consult

Medical Scales

