

WITH SEAT AND  
HANDRAIL

# 350-10-4 DUAL-RAMP WHEELCHAIR SCALE WITH SEAT

Rice Lake's 350-10-4 dual-ramp wheelchair scale with seat and handrail allows high capacity, accurate weighing for patients requiring a seat. The padded seat easily tucks away, allowing this model to function as either a wheelchair or chair scale. Convenient keypad tare reduces errors and increases efficiency. Foldable and lightweight, this sturdy scale is easily transported on two heavy-duty rear wheels to any location.

## FEATURES

- Large LCD display
- Antimicrobial keypad
- Two wheels for portability
- Dual ramp
- Nonslip platform
- Fold-away padded seat with backrest
- Motiontrap™ movement compensation technology
- Unit of measure toggle or locking
- EMR capable
- Serial and USB data communication ports
- Bluetooth® BLE 4.0 available, part number selectable
- Tare function
- Hold function
- BMI (body mass index) function
- Factory calibrated
- Easy to store, folded depth is 11.75 in (29.8 cm)

## SPECIFICATIONS

### Capacity:

1,000 × 0.2 lb (450 × 0.1 kg)

### Platform Dimensions Without Ramps:

(L × W × H)  
29.50 × 32.00 × 2.40 in

### Power:

9 VDC, provided by six AA alkaline batteries (included) or AC adapter (optional)

### Battery Type:

Six AA alkaline (included)

### Battery Use:

25 hours of continuous use with batteries  
Automatic power-off can be configured

### Display:

5-digit LCD display, 0.75 in (1.9 cm)  
digit height

### Temperature:

Operating:  
50 °F to 104 °F (14 °C to 40 °C)

### Warranty:

Two-year limited



Fold-away  
padded seat



## WHEELCHAIR SCALE

MODEL	CAPACITY	COMMUNICATION	PART #
350-10-4	1,000 × 0.2lb (450 × 0.1 kg)	USB	141448
350-10-4BLE	1,000 × 0.2lb (450 × 0.1 kg)	Bluetooth® BLE 4.0	194737

## OPTIONS

DESCRIPTION	PART #
9 VDC adapter, 120 V/230 V auto switching c-MET* <i>Medical grade power supply</i>	115655
9 VDC adapter, 120 V/230 V auto switching*	133077
9 VDC adapter, 230 V**	102508
Epson TM-U220 tape printer	81076
Cable, RS232 scale to printer, 6 ft, 25-pin D-Sub (male) to RJ45	186830
Cable, USB 6 ft USB-A (male) to USB-B (male)	79074
Cable, Communication DB9 (female) to RJ45 (male), 4 conductor	217091

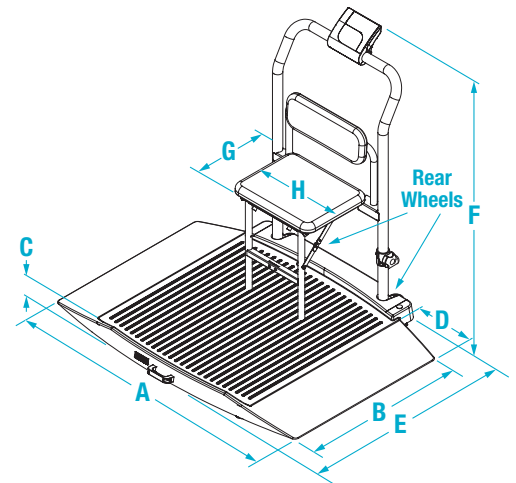
\*NEMA 1-15 Plug  \*\*CEE 7/16 Plug 

## SHIPPING WEIGHT

MODEL #	PART #	L (IN)	W (IN)	H (IN)	PACKAGE WGT. (LB)	DIM WGT. (LB)	SHIPPING WGT. (LB)
350-10-4	141448	51	43	21	132	332	332
350-10-4BLE	194737	51	43	21	132	332	332

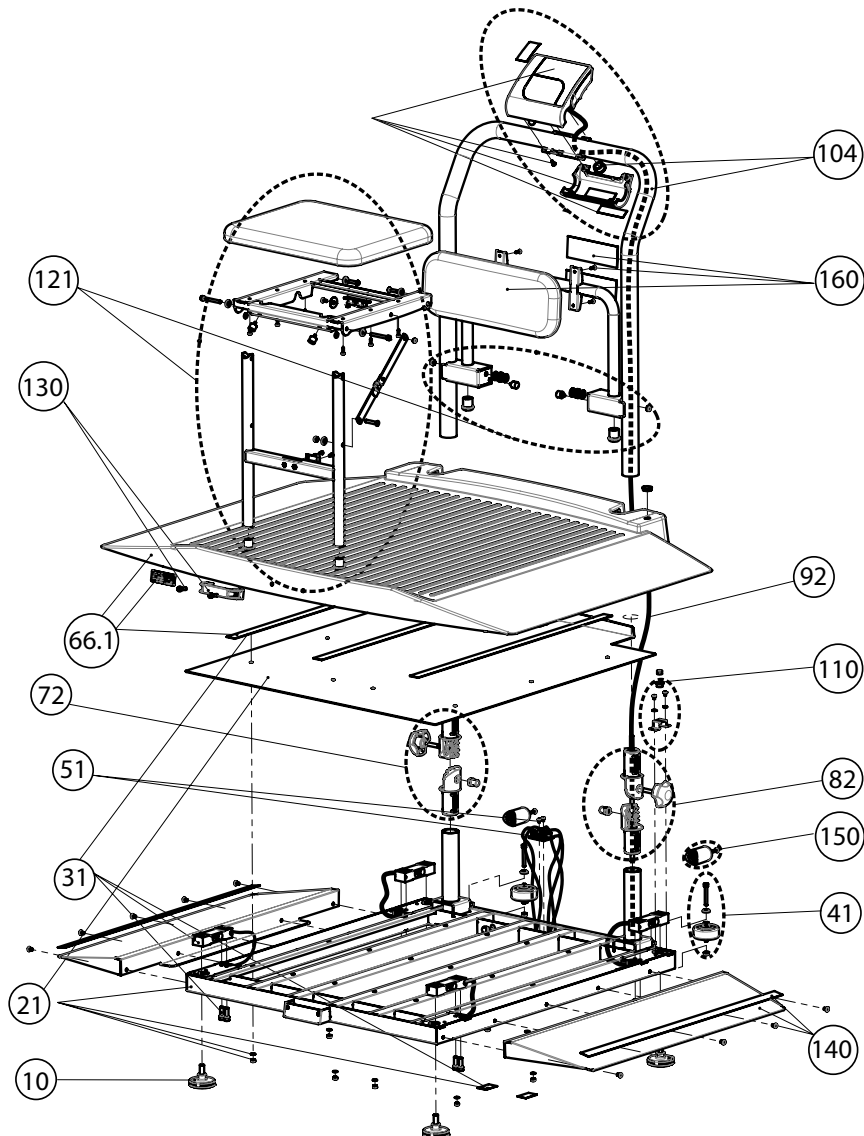
## DIMENSIONS

	INCHES	CENTIMETERS		INCHES	CENTIMETERS
<b>A</b>	48.50	123.2	<b>E</b>	38.00	96.5
<b>B</b>	32.00	81.3	<b>F</b>	45.00	114.3
<b>C</b>	2.40	6.1	<b>G</b>	11.42	29.0
<b>D</b>	9.30	23.6	<b>H</b>	15.75	40.0



**Part Number/Price**

Ref#	Part#	Description	Price
10	164516	Feet	Consult
21	164518	Base	Consult
31	164521	Load cell	Consult
41	164534	Wheel	Consult
51	164578	Junction box	Consult
66.1	165064	Platform	Consult
72	165066	Joint	Consult
82	165069	Joint	Consult
	102636	Circular handle for hinge joint	Consult
92	165071	Cable	Consult
104	165085	Handrail kit	Consult
110	165086	Spirit level assembly	Consult
121	165088	Seat kit	Consult
130	165089	Carry handle	Consult
140	165090	Ramp	Consult
150	165091	Rubber stop	Consult
160	165092	Back seat	Consult



**Medical Scales**

MEDICAL SCALES

# Medical Indicator, Titanium



## Part Number/Price

Ref#	Part#	Description	Price
	<b>131583</b>	Indicator	Consult
10	<b>164239</b>	Front, 150 indicator kit	Consult
20	<b>164240</b>	Hardware	Consult
30	<b>164241</b>	Circuit	Consult
	<b>204810</b>	Circuit with Bluetooth 2.0	Consult
	<b>204811</b>	Circuit with BLE	Consult
40	<b>164242</b>	Back panel	Consult
50	<b>164243</b>	Table	Consult
60	<b>164247</b>	Back cover	Consult
70	<b>164248</b>	Cover	Consult
	<b>133077</b>	Power supply, A/C adapter	Consult

Medical Scales

