

# 350-10-7

## SINGLE-RAMP WHEELCHAIR PLATFORM SCALE

Rice Lake's 350-10-7 single-ramp wheelchair platform scale allows high capacity, accurate weighing for a wide range of patients. Convenient keypad tare reduces errors and increases efficiency. This sturdy scale is easily transported on two heavy-duty rear wheels to any location.

### FEATURES

- Large LCD display
- Antimicrobial keypad
- Two wheels for portability
- Single ramp
- Nonslip platform
- Motiontrap™ movement compensation technology
- Unit of measure toggle or locking
- EMR capable
- Serial and USB data communication ports
- Bluetooth® BLE 4.0 available, part number selectable
- Tare function
- Hold function
- BMI (body mass index) function
- Factory calibrated

### SPECIFICATIONS

**Capacity:**

1,000 × 0.2 lb (450 × 0.1 kg)

**Platform Dimensions Without Ramp:**

(L × W × H)  
29.50 × 32.00 × 2.40 in

**Power:**

9 VDC, provided by six AA alkaline batteries (included) or AC adapter (optional)

**Battery Type:**

Six AA alkaline (included)

**Battery Use:**

25 hours of continuous use with batteries  
Automatic power-off can be configured

**Cable Length:**

7 ft (2.1 m) cable between scale base and indicator

**Display:**

5-digit LCD display, 0.75 in (1.9 cm) digit height

**Temperature:**

Operating:  
50 °F to 104 °F (10 °C to 40 °C)

**Warranty:**

Two-year limited





## WHEELCHAIR SCALE

MODEL	CAPACITY	COMMUNICATION	PART #
350-10-7	1,000 × 0.2lb (450 × 0.1kg)	USB	141446
350-10-7BLE	1,000 × 0.2lb (450 × 0.1kg)	Bluetooth® BLE 4.0	194738

## OPTIONS

DESCRIPTION	PART #
9 VDC adapter, 120 V/230 V auto switching c-MET* Medical grade power supply	115655
9 VDC adapter, 120 V/230 V auto switching*	133077
9 VDC adapter, 230 V**	102508
Epson TM-U220 tape printer	81076
Cable, RS232 scale to printer, 6 ft, 25-pin D-Sub (male) to RJ45	186830
Cable, USB 6 ft USB-A (male) to USB-B (male)	79074
Cable, Communication DB9 (female) to RJ45 (male), 4 conductor	217091

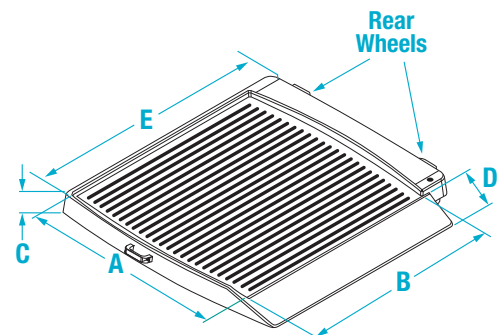
\*NEMA 1-15 Plug  \*\*CEE 7/16 Plug 

## SHIPPING WEIGHT

MODEL #	PART #	L (IN)	W (IN)	H (IN)	PACKAGE WGT. (LB)	DIM WGT. (LB)	SHIPPING WGT. (LB)
350-10-7	141446	45	44	7	78	100	100
350-10-7BLE	194738	45	44	7	78	100	100

## DIMENSIONS

	INCHES	CENTIMETERS		INCHES	CENTIMETERS
<b>A</b>	29.50	74.9	<b>D</b>	9.30	23.6
<b>B</b>	32.00	81.3	<b>E</b>	37.50	95.3
<b>C</b>	2.40	6.1			



# 350-10-8

## DUAL-RAMP WHEELCHAIR PLATFORM SCALE

Rice Lake's 350-10-8 dual-ramp wheelchair platform scale allows high capacity, accurate weighing for a wide range of patients. Convenient keypad tare reduces errors and increases efficiency. This sturdy scale is easily transported on two heavy-duty rear wheels to any location.

### FEATURES

- Large LCD display
- Antimicrobial keypad
- Two wheels for portability
- Dual ramp
- Nonslip platform
- Motiontrap™ movement compensation technology
- Unit of measure toggle or locking
- EMR capable
- Serial and USB data communication ports
- Bluetooth® BLE 4.0 available, part number selectable
- Tare function
- Hold function
- BMI (body mass index) function
- Factory calibrated

### SPECIFICATIONS

**Capacity:**

1,000 × 0.2 lb (450 × 0.1 kg)

**Platform Dimensions Without Ramps:**

(L × W × H)  
29.50 × 32.00 × 2.40 in

**Power:**

9 VDC, provided by six AA alkaline batteries (included) or AC adapter (optional)

**Battery Type:**

Six AA alkaline (included)

**Battery Use:**

25 hours of continuous use with batteries  
Automatic power-off can be configured

**Cable Length:**

7 ft (2.1 m) cable between scale base and indicator

**Display:**

5-digit LCD display, 0.75 in (1.9 cm) digit height

**Temperature:**

Operating:  
50 °F to 104 °F (10 °C to 40 °C)

**Warranty:**

Two-year limited





## WHEELCHAIR SCALE

MODEL	CAPACITY	COMMUNICATION	PART #
350-10-8	1,000 × 0.2lb (450 × 0.1 kg)	USB	141449
350-10-8BLE	1,000 × 0.2lb (450 × 0.1 kg)	Bluetooth® BLE 4.0	194735

## OPTIONS

DESCRIPTION	PART #
9 VDC adapter, 120 V/230 V auto switching c-MET* Medical grade power supply	115655
9 VDC adapter, 120 V/230 V auto switching*	133077
9 VDC adapter, 230 V**	102508
Epson TM-U220 tape printer	81076
Cable, RS232 scale to printer, 6 ft, 25-pin D-Sub (male) to RJ45	186830
Cable, USB 6 ft USB-A (male) to USB-B (male)	79074
Cable, Communication DB9 (female) to RJ45 (male), 4 conductor	217091

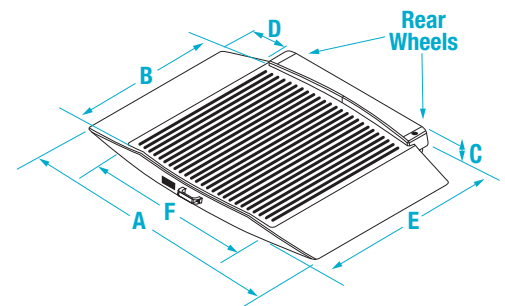
\*NEMA 1-15 Plug  \*\*CEE 7/16 Plug 

## SHIPPING WEIGHT

MODEL #	PART #	L (IN)	W (IN)	H (IN)	PACKAGE WGT. (LB)	DIM WGT. (LB)	SHIPPING WGT. (LB)
350-10-8	141449	53	45	7	86	121	121
350-10-8BLE	194735	53	45	7	86	121	121

## DIMENSIONS

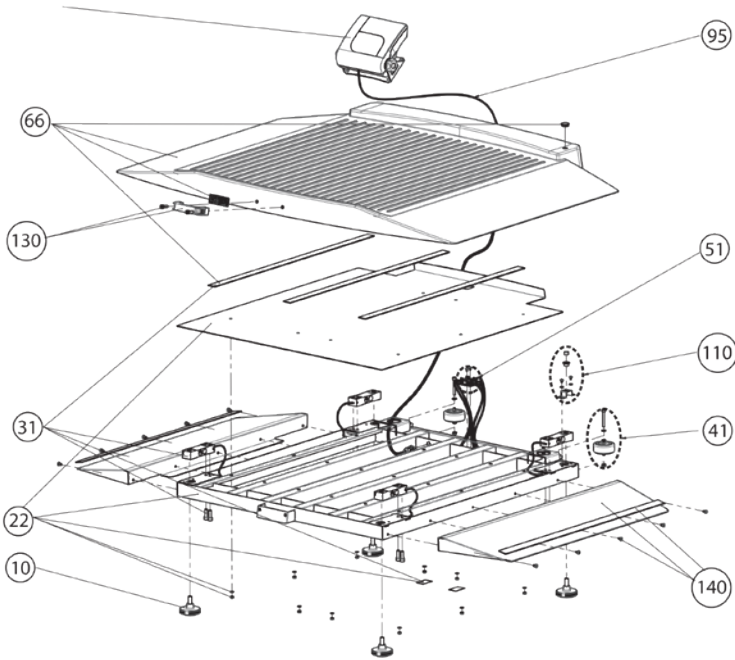
	INCHES	CENTIMETERS		INCHES	CENTIMETERS
<b>A</b>	48.50	123.2	<b>D</b>	9.30	23.6
<b>B</b>	32.00	81.3	<b>E</b>	38.00	96.5
<b>C</b>	2.40	6.1	<b>F</b>	29.50	74.9



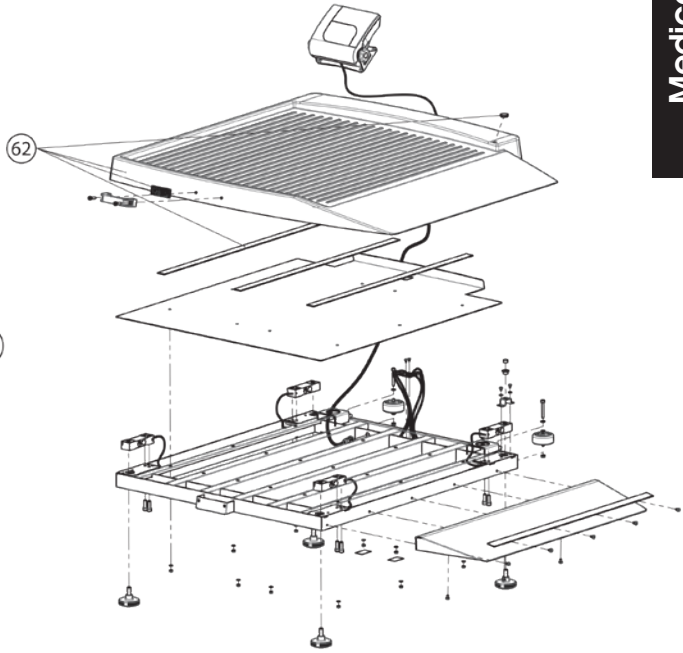
MEDICAL SCALES  
**350-10-7, 350-10-8**

**Part Number/Price**

Ref#	Part#	Description	Price
10	164516	Feet	Consult
22	164518	Base	Consult
31	164521	Load cell	Consult
41	164534	Wheel	Consult
51	164578	Junction box	Consult
62	165029	Platform	Consult
66	165063	Platform	Consult
95	165072	Cable	Consult
110	165086	Spirit level assembly	Consult
130	165089	Carry handle	Consult
140	165090	Ramp	Consult



350-10-8



350-10-7

**Medical Scales**

MEDICAL SCALES

# Medical Indicator, Titanium



## Part Number/Price

Ref#	Part#	Description	Price
	<b>131583</b>	Indicator	Consult
10	<b>164239</b>	Front, 150 indicator kit	Consult
20	<b>164240</b>	Hardware	Consult
30	<b>164241</b>	Circuit	Consult
	<b>204810</b>	Circuit with Bluetooth 2.0	Consult
	<b>204811</b>	Circuit with BLE	Consult
40	<b>164242</b>	Back panel	Consult
50	<b>164243</b>	Table	Consult
60	<b>164247</b>	Back cover	Consult
70	<b>164248</b>	Cover	Consult
	<b>133077</b>	Power supply, A/C adapter	Consult

Medical Scales

