

WITH HANDRAIL

350-10-2 SINGLE-RAMP WHEELCHAIR SCALE

Rice Lake's 350-10-2 single-ramp wheelchair scale with handrail allows high capacity, accurate weighing for a wide range of patients. Convenient keypad tare reduces errors and increases efficiency. Foldable and lightweight, this sturdy scale is easily transported on two heavy-duty rear wheels to any location.

FEATURES

- Large LCD display
- Antimicrobial keypad
- Two wheels for portability
- Single ramp
- Nonslip platform
- Motiontrap™ movement compensation technology
- Unit of measure toggle or locking
- EMR capable
- Serial and USB data communication ports
- Bluetooth® BLE 4.0 available, part number selectable
- Tare function
- Hold function
- BMI (body mass index) function
- Factory calibrated
- Easy to store, folded depth is 11.75 in (29.8 cm)

SPECIFICATIONS

Capacity:

1,000 × 0.2 lb (450 × 0.1 kg)

Platform Dimensions Without Ramp:

(L × W × H)

29.50 × 32.00 × 2.40 in

Power:

9 VDC, provided by six AA alkaline batteries (included) or AC adapter (optional)

Battery Type:

Six AA alkaline (included)

Battery Use:

25 hours of continuous use with batteries
Automatic power-off can be configured

Display:

5-digit LCD display, 0.75 in (1.9 cm) digit height

Temperature:

Operating:
50 °F to 104 °F (10 °C to 40 °C)

Warranty:

Two-year limited





WHEELCHAIR SCALE

MODEL	CAPACITY	COMMUNICATION	PART #
350-10-2	1,000 × 0.2lb (450 × 0.1 kg)	USB	141445
350-10-2BLE	1,000 × 0.2lb (450 × 0.1 kg)	Bluetooth® BLE 4.0	194739

OPTIONS

DESCRIPTION	PART #
9 VDC adapter, 120 V/230 V auto switching c-MET* <i>Medical grade power supply</i>	115655
9 VDC adapter, 120 V/230 V auto switching*	133077
9 VDC adapter, 230 V**	102508
Epson TM-U220 tape printer	81076
Cable, RS232 scale to printer, 6 ft, 25-pin D-Sub (male) to RJ45	186830
Cable, USB 6 ft USB-A (male) to USB-B (male)	79074
Cable, Communication DB9 (female) to RJ45 (male), 4 conductor	217091

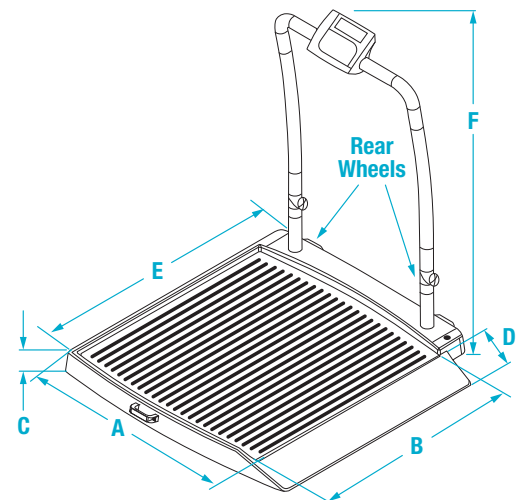
*NEMA 1-15 Plug  **CEE 7/16 Plug 

SHIPPING WEIGHT

MODEL #	PART #	L (IN)	W (IN)	H (IN)	PACKAGE WGT. (LB)	DIM WGT. (LB)	SHIPPING WGT. (LB)
350-10-2	141445	42	41	14	90	174	174
350-10-2BLE	194739	42	41	14	90	174	174

DIMENSIONS

	INCHES	CENTIMETERS		INCHES	CENTIMETERS
A	29.50	74.9	D	9.30	23.6
B	32.00	81.3	E	37.50	95.3
C	2.40	6.1	F	45.00	114.3



350-10-3

DUAL-RAMP WHEELCHAIR SCALE

Rice Lake's 350-10-3 dual-ramp wheelchair scale with handrail allows high-capacity, accurate weighing for a wide range of patients. Convenient keypad tare reduces errors and increases efficiency. Foldable and lightweight, this sturdy scale is easily transported on two heavy-duty rear wheels to any location.

FEATURES

- Large LCD display
- Antimicrobial keypad
- Two wheels for portability
- Dual ramp
- Nonslip platform
- Motiontrap™ movement compensation technology
- Unit of measure toggle or locking
- EMR capable
- Serial and USB data communication ports
- Bluetooth® BLE 4.0 available, part number selectable
- Tare function
- Hold function
- BMI (body mass index) function
- Factory calibrated
- Easy to store, folded depth is 11.75 in (29.8 cm)

SPECIFICATIONS

Capacity:
1,000 × 0.2 lb (450 × 0.1 kg)

Platform Dimensions Without Ramps:
(L × W × H)
29.50 × 32.00 × 2.40 in

Power:
9 VDC, provided by six AA alkaline batteries (included) or AC adapter (optional)

Battery Type:
Six AA alkaline (included)

Battery Use:
25 hours of continuous use with batteries
Automatic power-off can be configured

Display:
5-digit LCD display, 0.75 in (1.9 cm) digit height

Temperature:
Operating:
50 °F to 104 °F (10 °C to 40 °C)

Warranty:
Two-year limited





WHEELCHAIR SCALE

MODEL	CAPACITY	COMMUNICATION	PART #
350-10-3	1,000 × 0.2lb (450 × 0.1 kg)	USB	141447
350-10-3BLE	1,000 × 0.2lb (450 × 0.1 kg)	Bluetooth® BLE 4.0	194736

OPTIONS

DESCRIPTION	PART #
9 VDC adapter, 120 V/230 V auto switching c-MET* <i>Medical grade power supply</i>	115655
9 VDC adapter, 120 V/230 V auto switching*	133077
9 VDC adapter, 230 V**	102508
Epson TM-U220 tape printer	81076
Cable, RS232 scale to printer, 6 ft, 25-pin D-Sub (male) to RJ45	186830
Cable, USB 6 ft USB-A (male) to USB-B (male)	79074
Cable, Communication DB9 (female) to RJ45 (male), 4 conductor	217091

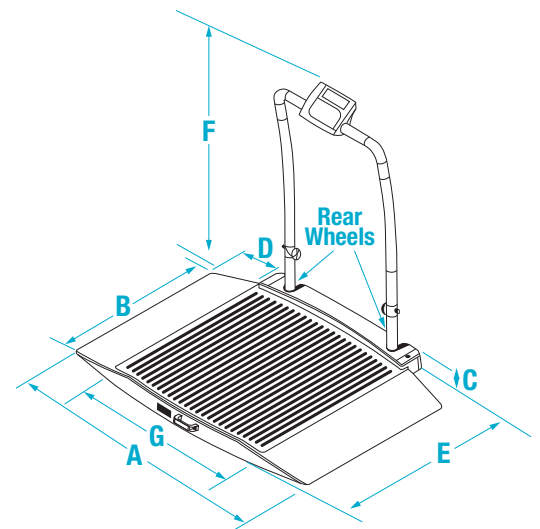
*NEMA 1-15 Plug  **CEE 7/16 Plug 

SHIPPING WEIGHT

MODEL #	PART #	L (IN)	W (IN)	H (IN)	PACKAGE WGT. (LB)	DIM WGT. (LB)	SHIPPING WGT. (LB)
350-10-3	141447	51	42	14	102	216	216
350-10-3BLE	194736	51	42	14	102	216	216

DIMENSIONS

	INCHES	CENTIMETERS		INCHES	CENTIMETERS
A	48.50	123.2	E	38.00	96.5
B	32.00	81.3	F	45.00	114.3
C	2.40	6.1	G	29.50	74.9
D	9.30	23.6			



MEDICAL SCALES

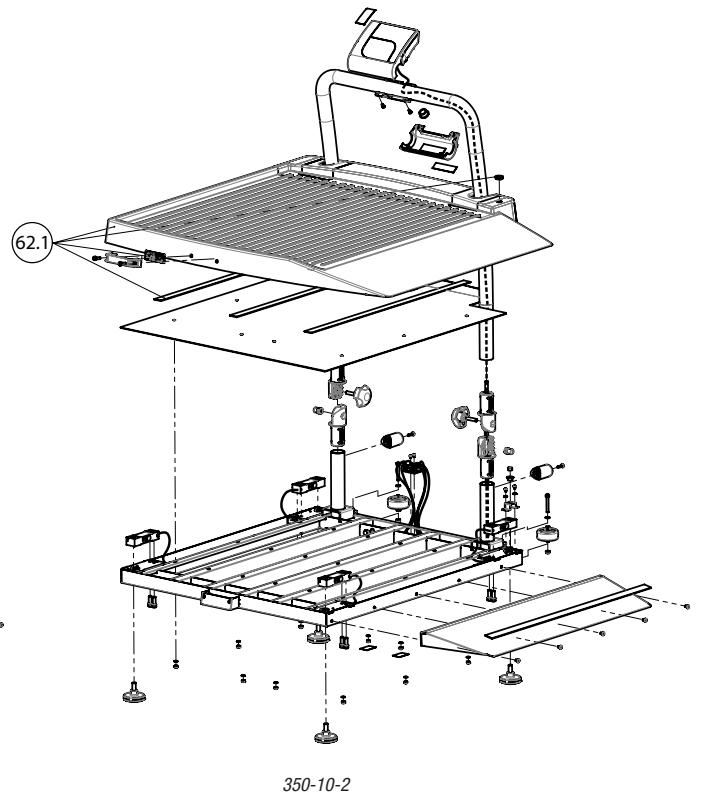
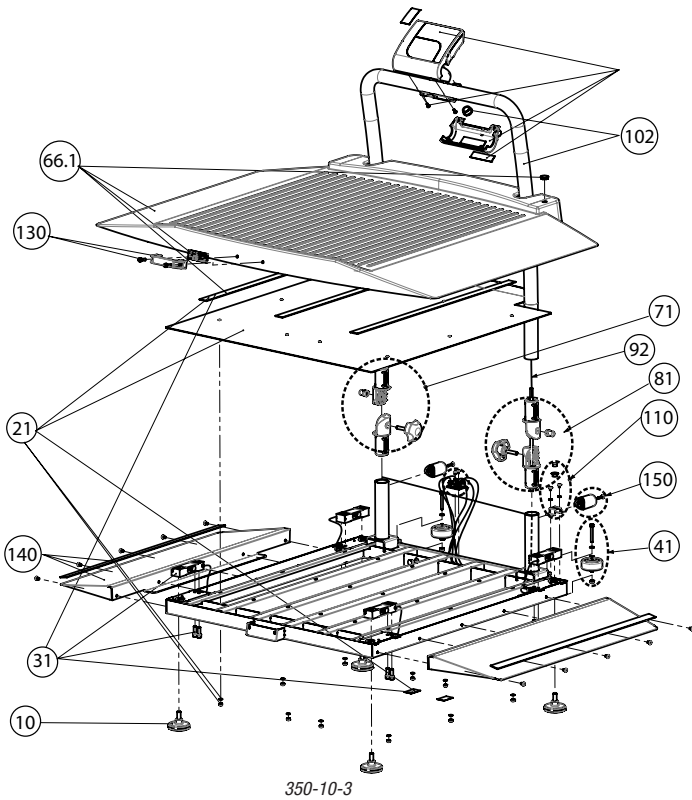
350-10-2, 350-10-3



Part Number/Price

Ref#	Part#	Description	Price
10	164516	Feet	Consult
21	164518	Base	Consult
31	164521	Load cell	Consult
41	164534	Wheel	Consult
51	164578	Junction box	Consult
62.1	165030	Platform	Consult
66.1	165064	Platform	Consult
71	165066	Right joint	Consult
81	165069	Left joint	Consult
	102636	Circular handle for hinge joint	Consult
92	165071	Cable	Consult
102	165084	Handrail kit	Consult
110	165086	Spirit level assembly	Consult
130	165089	Carry handle	Consult
140	165090	Ramp stop	Consult
150	165091	Rubber stop	Consult

Medical Scales



MEDICAL SCALES

Medical Indicator, Titanium



Part Number/Price

Ref#	Part#	Description	Price
	131583	Indicator	Consult
10	164239	Front, 150 indicator kit	Consult
20	164240	Hardware	Consult
30	164241	Circuit	Consult
	204810	Circuit with Bluetooth 2.0	Consult
	204811	Circuit with BLE	Consult
40	164242	Back panel	Consult
50	164243	Table	Consult
60	164247	Back cover	Consult
70	164248	Cover	Consult
	133077	Power supply, A/C adapter	Consult

Medical Scales

