

250-10-2

BARIATRIC HANDRAIL SCALE

Rice Lake's 250-10-2 bariatric scale with handrail is designed for weighing patients who need extra support and safety. Advanced movement compensation technology eliminates errors caused by involuntary movement of unsteady patients. Two heavy-duty rear wheels make it simple and effortless to move and store.



FEATURES

- Large LCD display
- Antimicrobial keypad
- Handrail for support and safety
- Two wheels for ease of portability
- Nonslip platform
- Unit of measure toggle or locking
- Motiontrap™ movement compensation technology
- EMR capable
- Serial and USB data communication ports
- Bluetooth® BLE 4.0 available, part number selectable
- Tare function
- Hold function
- BMI (body mass index) function
- Factory calibrated

SPECIFICATIONS

Capacity:
1,000 × 0.2 lb (450 × 0.1 kg)

Platform Dimensions:
(L × W × H)
25.00 × 20.00 × 3.00 in

Power:
9 VDC, provided by six AA alkaline batteries (included) or AC adapter (optional)

Battery Type:
Six AA alkaline (included)

Battery Use:
25 hours continuous use with batteries
Automatic power-off can be configured

Display:
5-digit LCD display, 0.75 in (1.9 cm) digit height

Temperature:
Operating:
50 °F to 104 °F (10 °C to 40 °C)

Warranty:
Two-year limited



Back wheels
for easy transport



BARIATRIC HANDRAIL SCALE

MODEL	CAPACITY	COMMUNICATION	PART #
250-10-2	1,000 × 0.2lb (450 × 0.1kg)	USB	133119
250-10-2BLE	1,000 × 0.2lb (450 × 0.1kg)	Bluetooth® BLE 4.0	194733

OPTIONS

DESCRIPTION	PART #
9 VDC adapter, 120 V/230 V auto switching c-MET* <i>Medical grade power supply</i>	115655
9 VDC adapter, 120 V/230 V auto switching*	133077
9 VDC adapter, 230 V**	102508
Epson TM-U220 tape printer	81076
Cable, RS232 scale to printer, 6 ft, 25-pin D-Sub (male) to RJ45	186830
Cable, USB 6 ft USB-A (male) to USB-B (male)	79074
Cable, Communication DB9 (female) to RJ45 (male), 4 conductor	217091

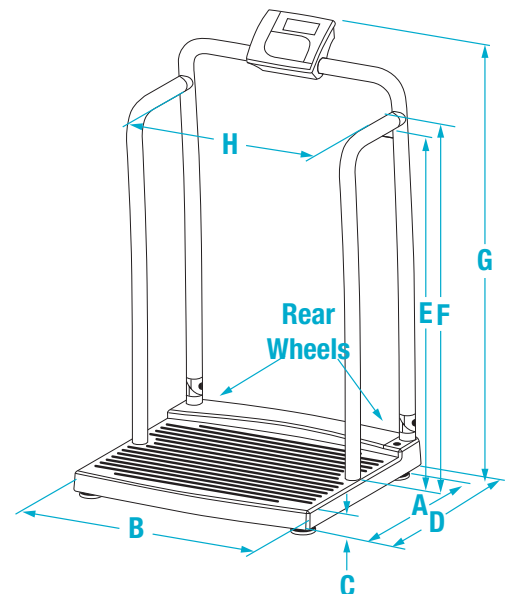
*NEMA 1-15 Plug  **CEE 7/16 Plug 

SHIPPING WEIGHT

MODEL #	PART #	L (IN)	W (IN)	H (IN)	PACKAGE WGT. (LB)	DIM WGT. (LB)	SHIPPING WGT. (LB)
250-10-2	133119	45	29	9	66	85	85
250-10-2BLE	194733	45	29	9	66	85	85

DIMENSIONS

	INCHES	CENTIMETERS		INCHES	CENTIMETERS
A	20.00	50.8	E	32.84	83.4
B	25.00	63.5	F	34.34	87.2
C	3.00	7.6	G	44.50	113.0
D	25.00	63.5	H	21.00	53.3



An ISO 9001 Registered Company ©2025 Rice Lake Weighing Systems 01/25
Specifications subject to change without notice.

