

Model 535010



**Suction Canister System
4-Canister Stopcock Manifold**

Lot No. / N.º de lote / No de lot

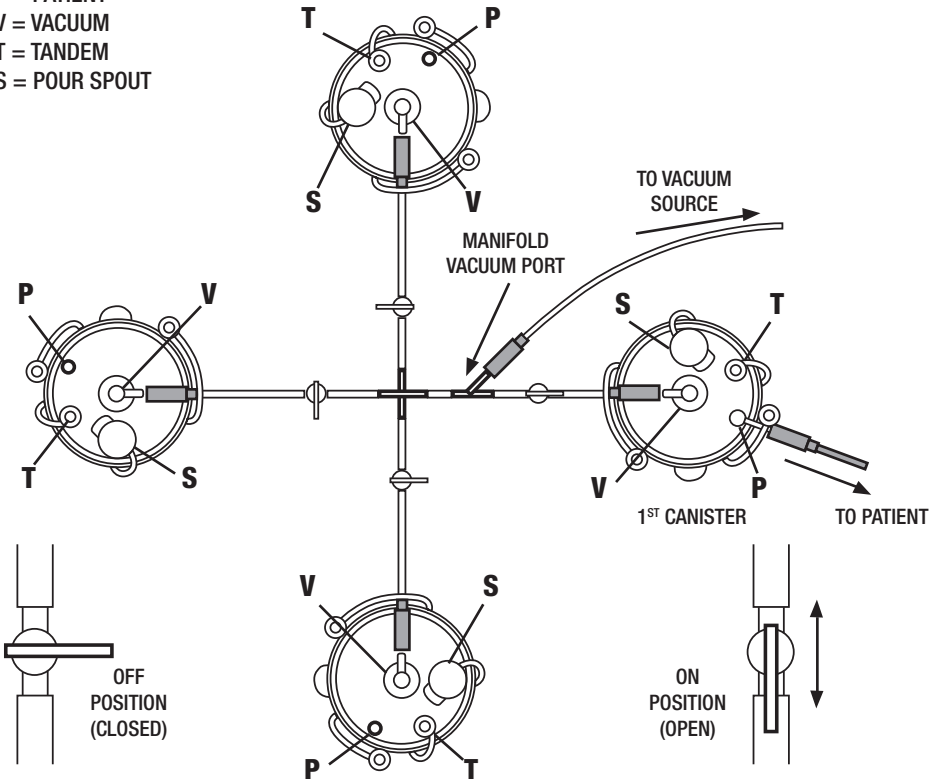
12/2023 Rev. 6.0
©2023 5990265 006

INSTRUCTIONS FOR USE: MANIFOLD ONLY

1. Clip manifold to canister stand.
2. Attach tubing connectors of manifold to the vacuum port of canisters.
3. Attach patient tube to the patient port of any of the four canisters in the system.
4. Cap tandem and pour spout of all canisters.
5. Attach vacuum source to vacuum port of manifold.
6. Open stopcock to first canister.
7. When first canister is full, move patient tubing to second canister and open stopcock to second canister.
8. Repeat until all canisters are full.

To replace full canister, close stopcock, disconnect manifold and cap all ports before moving. Replace with new canister, set up as before.

P = PATIENT
V = VACUUM
T = TANDEM
S = POUR SPOUT



Suction Canister System 4-Canister Stopcock Manifold

INSTRUCTIONS FOR USE: MANIFOLD WITH TUBING

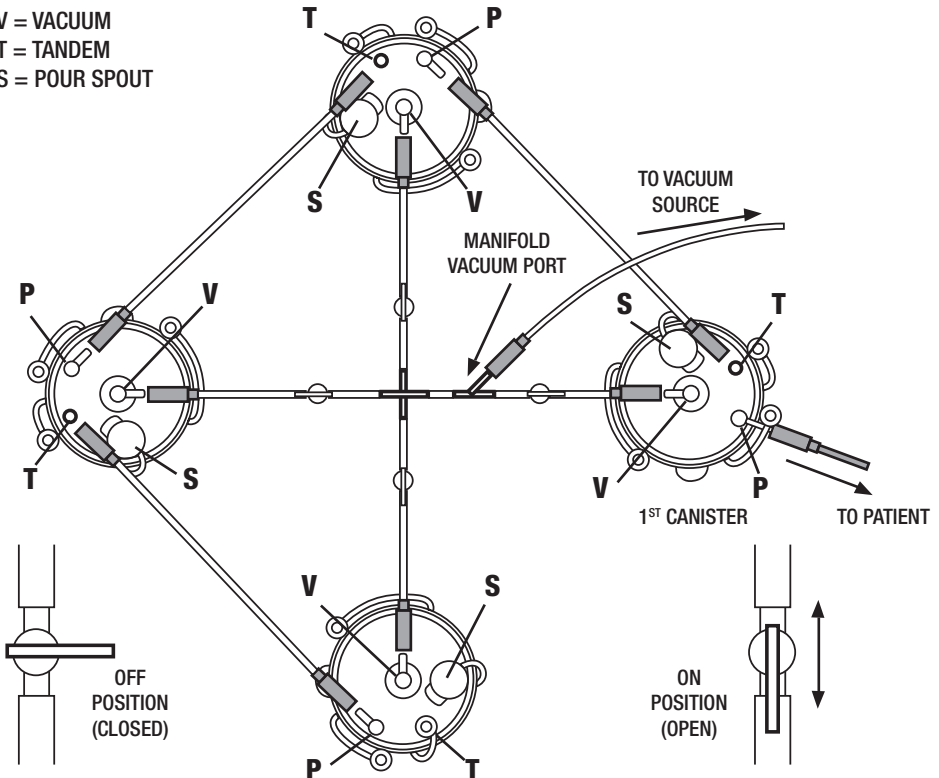
1. Clip manifold to canister stand.
2. Attach tubing connectors of manifold to the vacuum port of canisters.
3. Attach patient tube to the patient port of any of the canisters in the system.
4. Starting with the canister attached to the patient connecting tube (first canister), connect the tandem port to the patient port of an adjacent canister using any 18" connecting tube.
5. Repeat Step 4 until all canisters are attached.
6. Cap the tandem port of the final canister.
7. Cap the pour spout of all canisters.
8. Attach vacuum source to manifold vacuum port.
9. Turn the stopcock dials so that they are in line with the tubing. This is the open position. (See illustration.)

When canisters are full:

1. Turn off vacuum or disconnect vacuum tube before removing tubing and manifold.
2. Cap all ports.
3. Dispose of canisters according to hospital policy.

Note: All used and unused canisters must be discarded.

P = PATIENT
V = VACUUM
T = TANDEM
S = POUR SPOUT





Distributed by Bemis Manufacturing Co.