

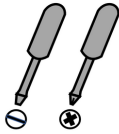


PRESTAN®

## PRESTAN Professional Adult Series 2000 Manikin Add-On Kit Installation Guide

The PRESTAN Professional Adult Series 2000 Manikin Add-On Kit can be used to upgrade any PRESTAN Professional Adult or Jaw Thrust Manikin (2018 model or newer).

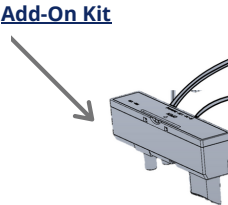
Tools Needed (not included)



Piston Plug



Add-On Kit

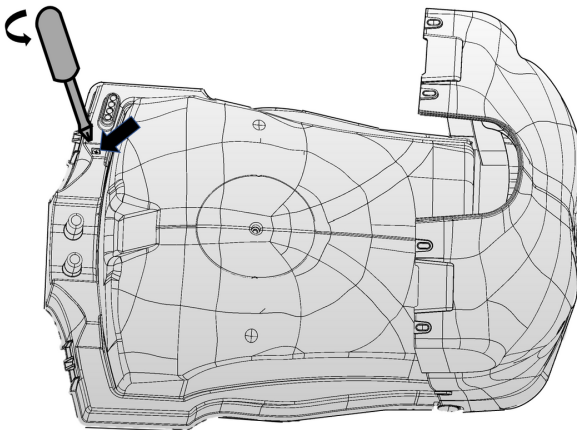


Breath Module



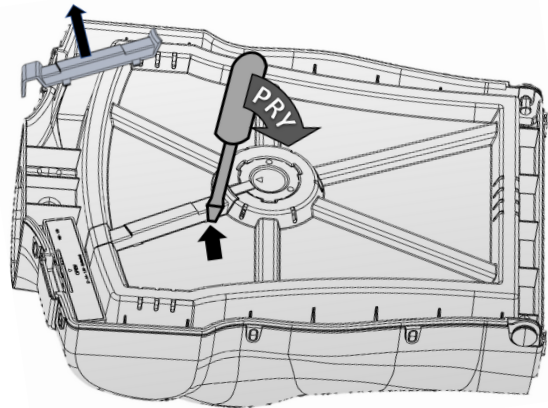
### Step 1

Pull back skin of manikin torso and remove the screw securing the rate monitor.



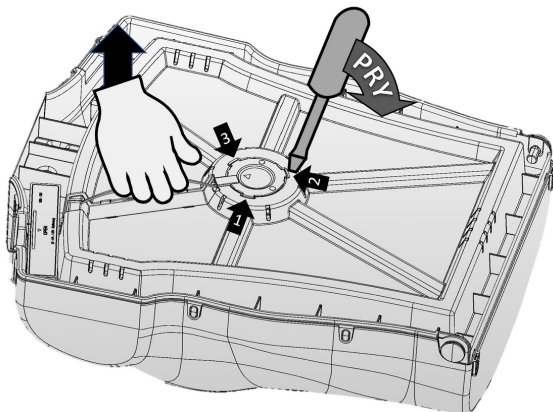
### Step 2

Gently place flathead screw driver into slots, pry to unsnap wire cover. Carefully remove wire cover after all snaps are free.



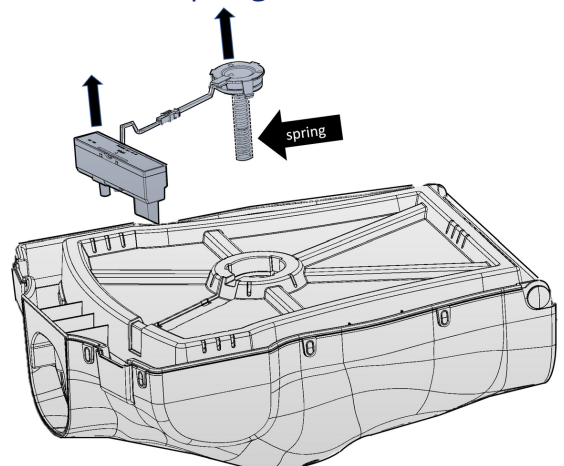
### Step 3

Place flathead screw driver into slots, pry to unsnap clicker assembly. Carefully remove after all three (3) snaps are free.



### Step 4

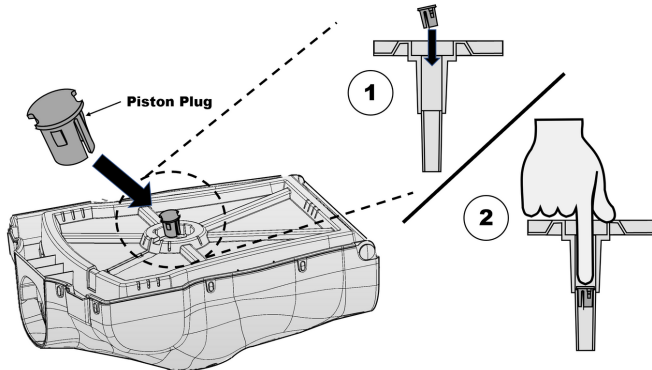
Once everything is loose, carefully remove the rate monitor, spring and clicker assembly.



# PRESTAN Professional Adult Series 2000 Manikin Add-On Kit Installation Guide (*continued*)

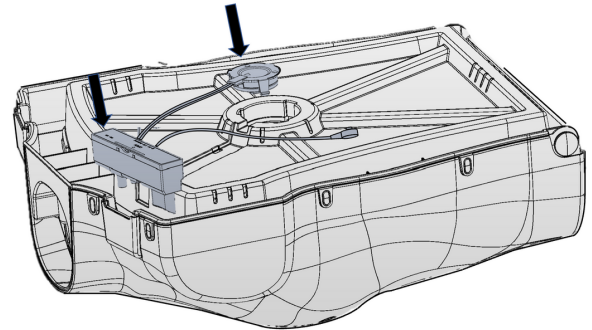
## Step 5

Insert the piston plug as shown below and press down firmly to secure.



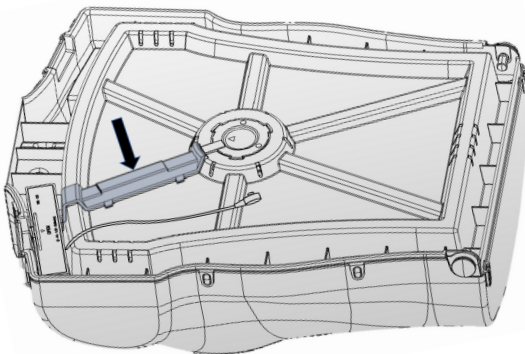
## Step 6

Insert Add-On Kit into circular cut out and in left shoulder of manikin.



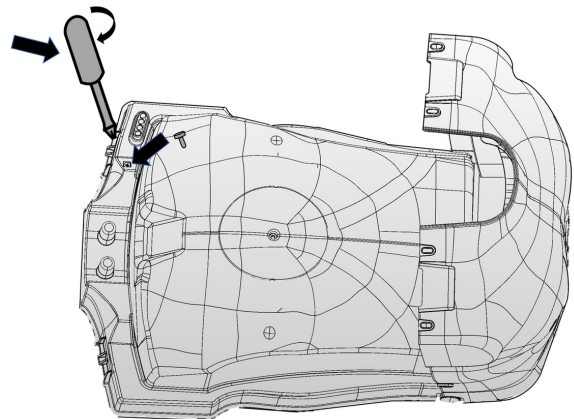
## Step 7

Lay wires flat in groove and snap wire cover back into place.



## Step 8

Insert screw and carefully tighten.  
Note: Too much force will cause damage.



## Step 9

Wrap cable around and over the base and foam. Close chest making sure cable is sandwiched between skin and foam.

Note: Skin may not fully latch on side where cable is routed.

