



59 Series shown.

The 58 and 59 Series Relax recliners provide a cost-effective alternative when patient transport is not required. The recliners start off with durable 3" casters (3" dual steel casters for the bariatric 58 Series) that bring the recliner closer to the ground.

From there, build the recliners to meet the needs of your patient population by adding available options and accessories.



All steel, powder-coated frame for durability.*
Z-spring construction for greater comfort.

STANDARD FEATURES

- Stationary arms
- Wall-hugger mechanism (infinite recline positions)
- Quick-release seat
- 3" steel casters (59 Series)
- 3" dual steel casters (58 Series)

**Retractable foot tray, 5 inch casters and push handle do not come with the 58 or 59 Series, but can be added as options.*



3" dual steel casters
(58 Series)



Quick-release seat



Wall-hugger
recline mechanism

STANDARD VINYL SELECTION

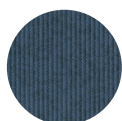
Printed color swatches may not be an exact match to actual fabrics and are enlarged to show detail



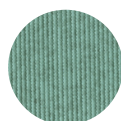
NATURAL
T09



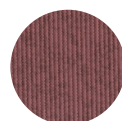
AQUAMARINE
T19



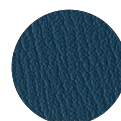
BONNIE BLUE
T21



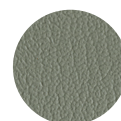
ICED MINT
T26



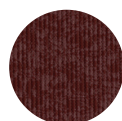
TEAROSE
T43



COLONIAL BLUE
T45



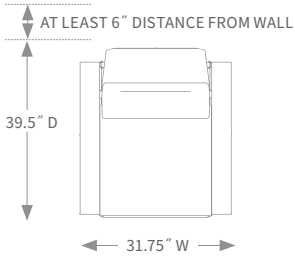
GRAY
T56



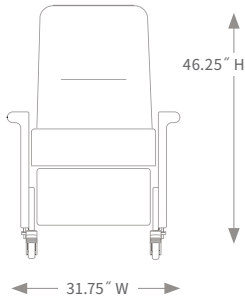
CRANBERRY
T96

SPACE REQUIREMENTS STANDARD MODEL

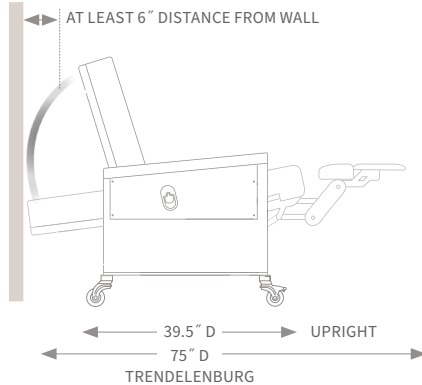
TOP VIEW



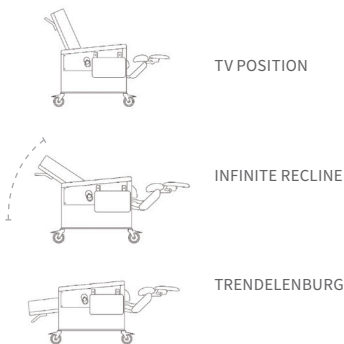
FRONT VIEW



SIDE VIEW



RECLINE POSITIONS



BODY OPTIONS

Trendelenburg	USB charging port
Break-away arm	Heat + massage
Gray fold-away table	Heat only
Premium casters - Set of 4	Push handle

◇ Additional charges apply



USB charging port



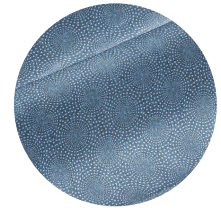
Break-away arm



Heat system

COVERING UPGRADES

- Graded vinyl selections
- PVC-free material
- Customer's own material (COM)
- Silicone and Polyurethane



Graded vinyl selections

RECOMMENDED ACCESSORIES

- Cushion wedge
- Arm covers
- Head flap

For a full list of accessories, view our Accessories brochure, the Champion website, or ask your Champion representative for more information.



Cushion wedge

SPECIFICATIONS

	STANDARD MODEL NUMBER 59P 59G	XL MODEL NUMBER 58P 58G
Power recline	✓	✓
Manual recline		✓
Weight capacity	300 lbs.	500 lbs.
Back height (from floor/seat)	46.25"/28.5"	47.25"/29.5"
Overall width (no tables)	31.75"	35.5"
Overall width (two optional gray tables down/up)	32.75"/51.75"	36.5"/55"
Seat width	22.75"	26.75"
Seat height/depth	23.25"/19.5"	23.25"/20.5"
Arm height (from floor)	27.5"	27.5"
Overall upright depth/Trendelenburg depth**	39.5"/75"	39.5"/76"
Steel casters (diameter)	3"	3" dual

**Measured with no push handle.



Information contained in this literature is based on the latest product data available at the time of printing. Swatches are enlarged to show detail. Photography, artwork, text and specifications are subject to change. Photography may show optional items. Due to photographic and printing processes, product colors in this brochure are not necessarily accurate. Champion Manufacturing Inc. reserves the right to make changes to colors, materials, prices, standards, options, equipment and any specification at any time without notice or obligation.