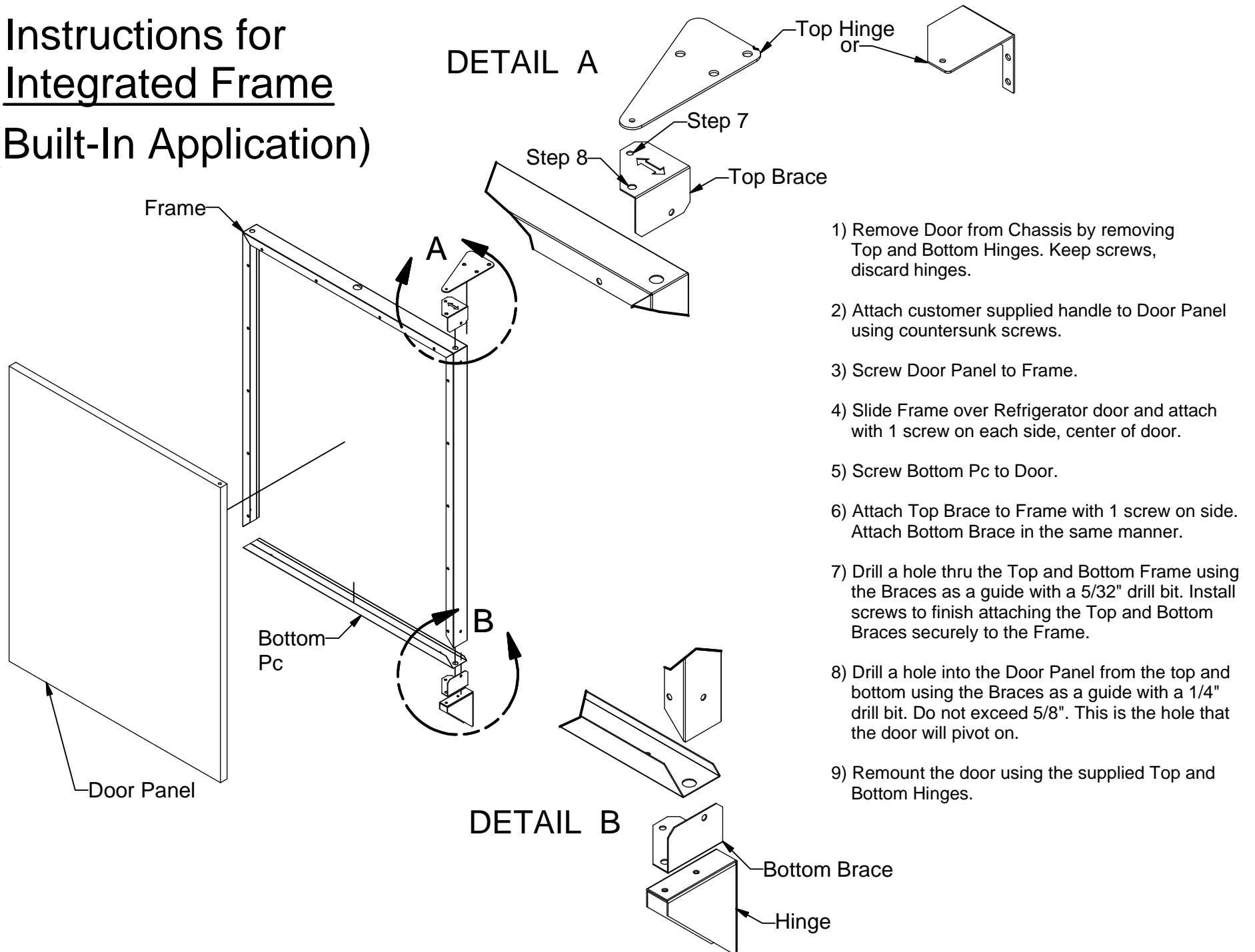


Instructions for Integrated Frame (Built-In Application)



DETAIL A

Top Hinge
or

Step 7

Step 8

Top Brace

- 1) Remove Door from Chassis by removing Top and Bottom Hinges. Keep screws, discard hinges.
- 2) Attach customer supplied handle to Door Panel using countersunk screws.
- 3) Screw Door Panel to Frame.
- 4) Slide Frame over Refrigerator door and attach with 1 screw on each side, center of door.
- 5) Screw Bottom Pc to Door.
- 6) Attach Top Brace to Frame with 1 screw on side. Attach Bottom Brace in the same manner.
- 7) Drill a hole thru the Top and Bottom Frame using the Braces as a guide with a 5/32" drill bit. Install screws to finish attaching the Top and Bottom Braces securely to the Frame.
- 8) Drill a hole into the Door Panel from the top and bottom using the Braces as a guide with a 1/4" drill bit. Do not exceed 5/8". This is the hole that the door will pivot on.
- 9) Remount the door using the supplied Top and Bottom Hinges.

DETAIL B

Bottom Brace

Hinge