



## MEDICAL FREEZERS / *CONGÉLATEURS MEDICAUX*

**Models / Modèles** VT65M, VT65ML series  
(including BI and ADA models /  
*y compris les modèles BI et ADA*),  
ALF620, ALF620BI,  
ALF620L, ALFB621



### Instruction Manual / *Mode d'emploi*

**BEFORE USE, PLEASE READ AND FOLLOW ALL SAFETY RULES AND OPERATING INSTRUCTIONS**  
***AVANT UTILISATION, S'IL VOUS PLAÎT LIRE ET SUIVRE LES RÈGLES DE SÉCURITÉ ET***  
***INSTRUCTIONS DE FONCTIONNEMENT***

Write Model & Serial No. here:  
*Écrivez les numéros de modèle et série ici :*

Model: \_\_\_\_\_

Ser.No: \_\_\_\_\_

# IMPORTANT SAFEGUARDS

**Your safety and the safety of others are very important.**

We have provided many important safety messages in this manual and on your appliance. Always read and obey all safety messages.



This is the Safety Alert Symbol. This symbol alerts you to potential hazards that can kill or injure you and others. All safety messages will follow the Safety Alert Symbol and either the word "DANGER" or "WARNING".



DANGER means that failure to heed this safety statement may result in severe personal injury or death.



WARNING means that failure to heed this safety statement may result in extensive product damage, serious personal injury, or death.

Safety messages will alert you to what the potential hazard is, tell you how to reduce the chance of injury, and let you know what can happen if the instructions are not followed.

---



Before the freezer is used, it must be properly positioned and installed as described in this manual, so read the manual carefully. To reduce the risk of fire, electrical shock or injury when using the freezer, follow basic precautions, including the following:



- Plug into a grounded 3-prong outlet. Do not remove grounding prong, do not use an adapter, and do not use an extension cord.
- It is recommended that a separate circuit, serving only your freezer, be provided. Use receptacles that cannot be turned off by a switch or pull chain.
- Never clean freezer parts with flammable fluids. These fumes can create a fire hazard or explosion. And do not store or use gasoline or other flammable vapors and liquids in the vicinity of this or any other appliance. The fumes can create a fire hazard or explosion.
- Before proceeding with cleaning and maintenance operations, make sure the power line of the unit is disconnected.
- Do not connect or disconnect the electric plug when your hands are wet.
- Unplug the freezer or disconnect the power before cleaning or servicing. Failure to do so can result in electrical shock or death.
- Do not attempt to repair or replace any part of your freezer unless it is specifically recommended in this manual. All other servicing should be referred to a qualified technician.

 **WARNING**

- Use two or more people to move and install the freezer. Failure to do so can result in back or other injury.
- To ensure proper ventilation for your freezer, the front of the unit must be completely unobstructed. Choose a well-ventilated area with temperatures above 60° F (16° C) and below 90° F (32° C). This unit must be installed in an area protected from the elements, such as wind, rain, water spray or drips.
- The freezer should not be located next to ovens, radiators or other sources of high heat.
- The freezer must be installed with all electrical connections in accordance with state and local codes. A standard electrical supply (115V AC only, 60 Hz), properly grounded in accordance with the National Electrical Code and local codes and ordinances, is required.
- Do not kink or pinch the power supply cord of the freezer.
- The fuse (or circuit breaker) size should be 15 amperes.
- It is important for the freezer to be leveled in order to work properly. You may need to make several adjustments to level it.
- Never allow children to operate, play with or crawl inside the freezer.
- Do not use solvent-based cleaning agents or abrasives on the interior. These cleaners may damage or discolor the interior.
- Do not use this apparatus for other than its intended purpose.

*THIS APPLIANCE IS DESIGNED FOR MEDICAL OR PHARMACEUTICAL USE ONLY. IT IS NOT INTENDED FOR USE AS A HOUSEHOLD FREEZER.*

---

 **DANGER** 

*Risk of child entrapment*

Child entrapment and suffocation are not problems of the past. Junked or abandoned refrigerators and freezers are still dangerous, even if they will “just sit in the garage a few days.”

- **Before you throw away your old refrigerator or freezer:** Take off the doors. Leave the shelves or drawers in place so that children may not easily climb inside.
- Never allow children to operate, play with, or crawl inside the refrigerator/freezer.

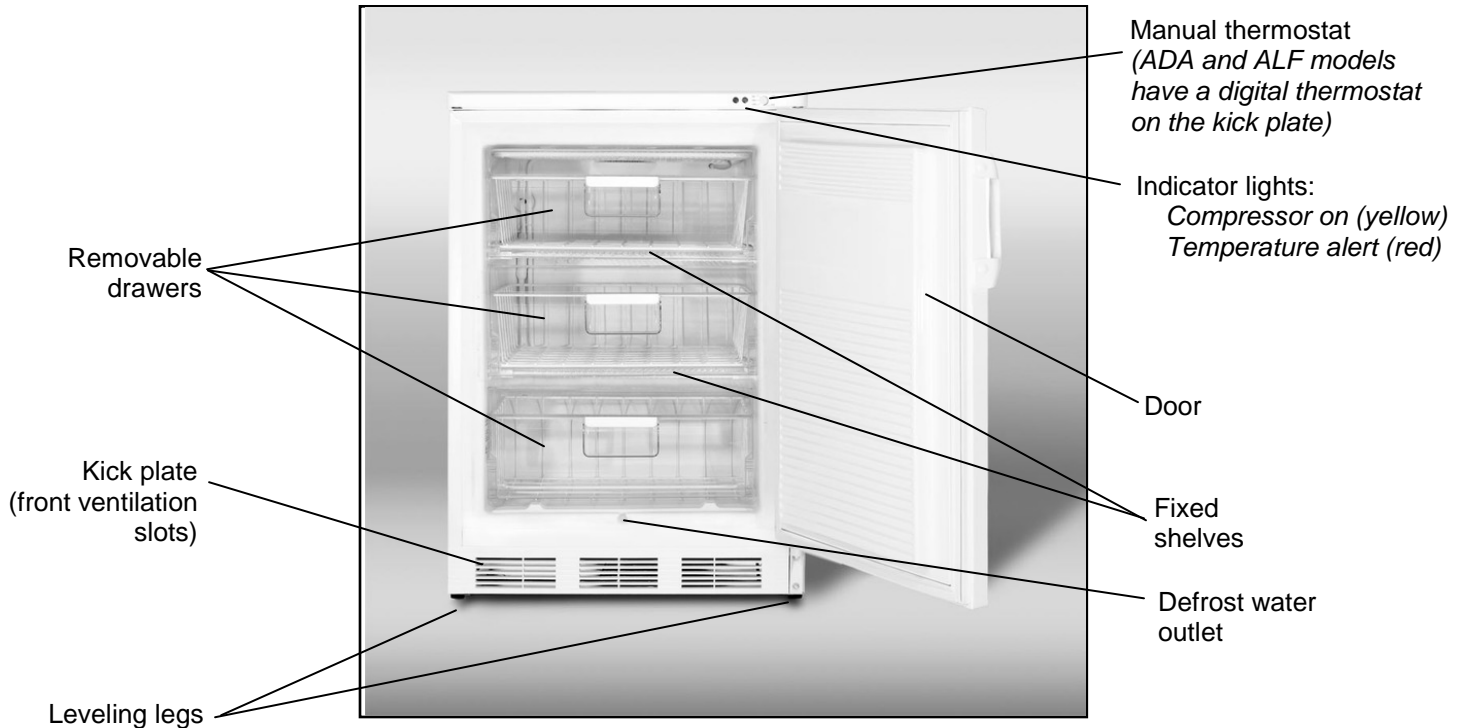
*THIS APPLIANCE IS NOT INTENDED FOR USE BY YOUNG CHILDREN OR INFIRM PERSONS UNLESS THEY HAVE BEEN ADEQUATELY SUPERVISED BY A RESPONSIBLE PERSON TO ENSURE THAT THEY CAN USE THE APPLIANCE SAFELY. YOUNG CHILDREN SHOULD BE SUPERVISED TO ENSURE THAT THEY DO NOT PLAY WITH THE APPLIANCE.*

**- SAVE THESE INSTRUCTIONS -**

# Table of Contents

<b>Important Safeguards</b> .....	<b>1 - 2</b>
<b>Location of Parts</b> .....	<b>4</b>
<b>Technical Information</b> .....	<b>5</b>
<b>Installation Instructions</b> .....	<b>6 - 9</b>
<i>Before Using Your Freezer</i> .....	6
<i>Installing the Freezer</i> .....	6
<i>Electrical Connection</i> .....	6 – 7
<i>Extension Cord</i> .....	7
<i>Reversing the Door Swing</i> .....	8 – 9
<i>Door Handle Installation</i> .....	9
<b>Operating Your Freezer</b> .....	<b>10 - 12</b>
<i>Temperature Control for models VT65M, VT65ML, VT65MBI         and VT65MLBI</i> .....	10 – 11
<i>Temperature Control for ADA models and models ALF620, ALF620BI,         ALF620L and ALFB621</i> .....	11
<i>Storing Frozen Items</i> .....	12
<i>Defrosting Your Freezer</i> .....	12
<b>Care and Maintenance</b> .....	<b>13</b>
<i>Cleaning Your Freezer / Power Failure / Vacation Time         Moving Your Freezer / Energy-Saving Tips</i>	
<b>Troubleshooting</b> .....	<b>14</b>
<b>Limited Warranty</b> .....	<b>15</b>
<b>French version of this manual</b> .....	<b>16 - 31</b>

# Location of Parts



*NOTE: Models VT65ML and ALF620L have a lock located on the front of the door.*

## Technical Information

<b>Model Number</b>	VT65M VT65ML (with lock)	VT65MBI VT65MLBI	VT65MADA VT65MLADA ALF620, ALF620L, ALFB621	ALF620BI
<b>Color</b>	White			
<b>Capacity</b>	3.5 cu. ft.			
<b>Electrical Input</b>	115V AC/60Hz			
<b>Rated Current</b>	1.3A			
<b>Coldest Internal Temperature</b>	-25°C			
<b>Refrigerant</b>	R134a, 2.7 oz.			
<b>Installation</b>	Free-standing	Built-in or free-standing	Free-standing	Built-in or free-standing
<b>Unit Dimensions (H x W x D)</b>	33.5" x 23.63" x 23.5"	33.5" to 34.5" x 23.63" x 23.5"	32.0" x 23.63" x 23.5"	

NOTES: 1. These freezers are suitable for storing vaccines, pharmaceuticals and other temperature-sensitive materials. They are not designed for the storage of foodstuffs.

2. Specifications are subject to change without notice.

# Installation Instructions

## Before Using Your Freezer:

- Remove the exterior and interior packing.
- Check to be sure you have all of the following parts:
  - 3 drawers
  - 1 short drain tube
  - 2 keys (*VT65ML and ALF620L models only*)
- **CAUTION:** *After unpacking you **MUST** allow this appliance to stand upright for at least 2 hours to allow the lubricant and refrigerant to drain back into the compressor and stabilize. Failure to do so may adversely affect performance and the lifetime of your unit.*
- Remove the drawers and clean them and the interior surfaces of the unit with lukewarm water using a soft cloth.

## Installing the Freezer:

- Place the unit on a floor that is strong enough to support the appliance when it is fully loaded. To level the unit, adjust the two leveling legs at the front.
- Unless the model numbers include the letters BI, these appliances are designed to be free-standing only, and should not be recessed or built in. When installing, allow at least 5 inches of space at the sides and top of the unit and 2 inches at the rear, which will allow the proper air circulation to cool the compressor and condenser.  
If your model has the letters BI in its model number, the appliance can be installed either free-standing or built-in. If the unit will be built into an enclosure, you must still allow at least 3/16" of clear space on both sides and at the top, and 2" at the back. Take care that the air vents at the front are never covered or blocked in any way.
- Locate the unit away from direct sunlight and sources of heat (oven, heater, radiator, etc.). Direct sunlight may affect the acrylic coating and heat sources may increase electrical consumption. Extremely cold ambient temperatures may also affect the unit's performance.
- Avoid locating the unit in moist areas. Too much moisture in the air will cause frost to form quickly on the evaporator, requiring more frequent defrosting of the freezer.
- Plug the unit into an exclusive, properly installed and grounded wall outlet. Do not under any circumstances cut or remove the third (ground) prong from the power cord. Any questions concerning power and/or grounding should be directed toward a certified electrician or authorized service center.

## Electrical Connection:

### **WARNING**

*Improper use of the grounded plug can result in the risk of electrical shock. If the power cord is damaged, have it replaced by the manufacturer, its service agent or similarly qualified persons in order to avoid a hazard.*

This unit should be properly grounded for your safety. The power cord of this unit is equipped with a three-prong plug that mates with a standard three-prong wall outlet to minimize the possibility of electrical shock. Do not under any circumstances cut or remove the third ground prong from the power cord supplied.

This unit requires a standard 115-volt AC/60Hz electrical outlet with three-prong ground. Have the wall outlet and circuit checked by a qualified electrician to make sure the outlet is properly grounded. When a standard 2-prong wall outlet is encountered, it is your responsibility and obligation to have it replaced with a properly grounded 3-prong wall outlet.

To prevent accidental injury, the cord should be secured behind the unit and not left exposed or dangling.

The unit should always be plugged into its own individual electrical outlet having a voltage rating that matches the rating label on the appliance. This provides the best performance and also prevents overloading house wiring circuits that could cause a fire hazard from overheated wires.

Never unplug the unit by pulling on the power cord. Always grip the plug firmly and pull straight out from the receptacle. Repair or replace immediately any power cord that has become frayed or otherwise damaged. Do not use a cord that shows cracks or abrasion damage along its length or at either end. When moving the unit, be careful not to damage the power cord.

**Extension Cord:**

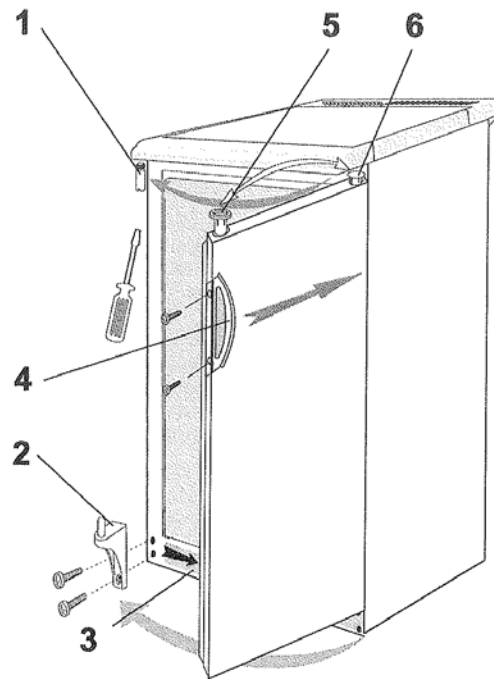
Do not use an extension cord with this appliance. If the power cord is too short, have a qualified electrician or service technician install an outlet near the appliance.

## **Reversing the Door Swing:**

Your freezer can be opened from either the right side or the left. By default, the door hinge is on the right side. If you prefer it on the left, please follow the appropriate instructions below:

*NOTE: All of the parts that are removed must be kept for the reinstallation of the door.*

*For models VT65M, VT65ML, VT65MBI and VT65MLBI:*



1. Upper hinge fastener

2. Lower hinge

3. Kick plate

4. Handle

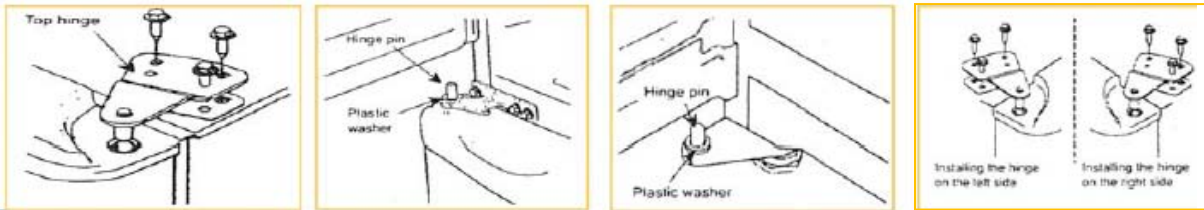
5. Door hinge fixture

6. Door hinge fixture plug

- a. Unscrew the lower hinge and take off the door.
- b. Push the kick plate to the right in the new position.
- c. Undo the upper hinge fastener and fix it to the opposite side of the housing, where you have already removed and replaced the fastener with the hole to the opposite side.
- d. Put the door on the upper hinge fastener.
- e. Fix the lower hinge in the new position.
- f. Unscrew the handle and place it on the opposite side.
- g. Some screws are covered with caps. Take off these caps before undoing the screws.
- h. Check the gasket. It should not be creased and should seal well.

For Models VT65MADA, VT65MLADA, ALF620/L, ALF620BI and ALFB621:

- a. Take off the upper hinge cover from the door and remove the screws that hold the top hinge.
- b. Lift the hinge straight up to free the hinge pin from the socket in the top of the door.
- c. Lift the door up and away to free its bottom socket from the hinge pin.
- d. Remove the screws to the bottom hinge.
- e. Remove the decorative caps from the opposite side and plug the holes from the original side with the decorative caps.
- f. Move the bottom hinge to the opposite side and tighten the screws. Use any lock washers or nuts if they were installed in the original installation.
- g. Loosely install the left-hand hinge provided with your unit on the top left side of the unit, moving the decorative caps to the right side.
- h. Replace door onto the hinge pin on the bottom hinge. Place top hinge pin into door. Insert screws into the top hinge and tighten.



If you notice the door not hanging straight, loosen the top hinge screws, adjust the door until it is level and tighten the screws.

**Door Handle Installation:**

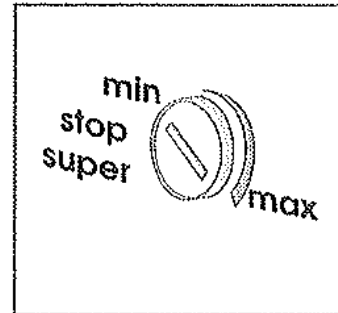
The door has two screw holes on each side, allowing you to install a handle (included). To do so, align the handle with the screw holes on the side you prefer. Fix the handle in place with the included screws, then cover the screw heads with the handle seal (included).

# Operating Your Freezer

*NOTE: If the unit is unplugged, has lost power, or is turned off, you must wait 3 to 5 minutes before restarting the unit. If you attempt to restart before this time delay, the freezer will not start.*

## **Temperature Control for models VT65M, VT65ML, VT65MBI and VT65MLBI:**

- The temperature control is a dial-operated thermostat located at the front of the freezer, in the upper right corner above the door. When the freezer operates automatically, the interior temperature is controlled by the thermostat. Normally, the thermostat setting should be in the middle, between **max** and **min**. (See illustration.)
- We recommend thermostat settings closer to **max** only in cases when you want to accelerate cooling such as before loading a number of unfrozen items. Settings closer to **min** help save energy, provided that the freezer is not overloaded.
- The **super** setting causes the compressor to run continuously and should be used sparingly. This setting can be used when you want to freeze a large number of unfrozen items or in case you want to deep-freeze already frozen items. The yellow light next to the thermostat will be lit when the **super** setting is active. Remember to turn the thermostat back to its normal setting after a short time.
- The **stop** setting halts the cooling process (the compressor turns off), but does not turn off the freezer. To turn the appliance off completely, you must unplug it.



## **Modes of Operation for dial-thermostat models:**

- **Automatic operation – the yellow light is on and off (with the compressor).**  
The interior temperature is controlled by the thermostat, which turns the cooling system on and off. The frequency of turning the cooling system on and off depends on:
  - the thermostat setting
  - how often the door is opened, and
  - ambient temperature.
- **Continuous operation – the yellow light is on steady.**  
The **super** setting of the thermostat is active, and the cooling system operates continuously, resulting in a quick freeze. Do not let the freezer operate under these conditions for long periods of time.
- **Temperature alert – the red light is on.**  
The red light (next to the thermostat) is on when there is a temperature-related problem in the freezer. See *Troubleshooting*.

### Switching on the Empty Freezer:

Plug in the freezer and set the thermostat to the **super** position (continuous operation). (The red and yellow control lights are on.) When the red light goes off, set the thermostat for normal operation. Wait a couple of hours, then load the freezer.

### Freezing Procedure:

To freeze larger amounts of unfrozen items (5 pounds or more), turn the thermostat knob to **super** for continuous operation (yellow light is on). After an hour or so, turn the thermostat down to its normal setting (yellow light goes off) and load the freezer. After 24 hours, all items should be frozen.

NOTES:

1. Keep unfrozen items out of contact with frozen ones.
2. There is no need to set the thermostat for continuous operation (**super**) if you only intend to freeze smaller quantities of fresh items (4 pounds or less).

### Temperature Control for ADA models and models ALF620, ALF620BI, ALF620L and ALFB621:

The temperature inside these freezers is controlled by a digital thermostat located in the kick plate at the front of the unit. Normally, the LED display shows the current temperature inside the unit. Temperature readings are in degrees Celsius.

The preset temperature range of the thermostat is -10 to -25°C \* (14 to -13°F), and the operating temperature is factory-set at -25°C (-13°F). If you find that it is necessary to change the temperature setting (*Set Point*) for your appliance, refer to the instructions below.

The front panel of the digital thermostat is shown here:



➤ **To see the *Set Point*:**

Push and immediately release the *SET* key. The display will show the *Set Point* value. Wait 5 seconds and the interior temperature will display again.

➤ **To change the *Set Point*:**

1. Push and hold the *SET* key for more than 3 seconds to change the *Set Point* value. The value of the *Set Point* will be displayed.
2. Push the UP or DOWN arrow to the desired setting. The new setting will be memorized after 15 seconds, provided no other keys are pushed.

\* The maximum/minimum range of the digital thermostat (-10 to -25°C) is preset and locked by us. To reset this range lock, either call us at **800-932-4267** or find information on our website under *Troubleshooting*.

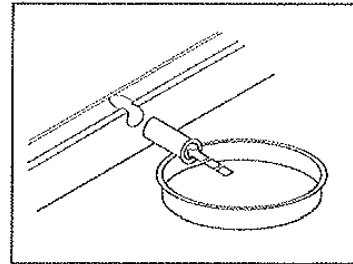
### **Storing Frozen Items:**

Frozen items may be stored in the three drawers, or can be placed directly on the cooling shelves if one or more of the drawers is removed.

### **Defrosting Your Freezer:**

For the most efficient operation and minimum energy consumption, defrost the freezer when the frost on the freezer walls reaches 1/8 to 1/4 inch in thickness.

1. If your freezer has a manual thermostat, an hour or so before defrosting, set it to **super** (yellow light will be on) so that the freezer contents are well-frozen. After that, empty the freezer and take care that the items do not begin to thaw. If your unit has a digital thermostat, just remove and store the contents before defrosting.
2. To start defrosting, unplug the freezer and remove the drawers.
3. Insert the enclosed tubing into the groove in the bottom of the appliance and place a container underneath to collect the defrost water. (See *illustration*.) Defrosting is accelerated if the door is left open.
4. Use a sponge or toweling to remove water and melting ice from the freezer floor. After the frost or ice has melted, dry the interior of the freezer thoroughly.
5. Restart the freezer by plugging it in and turning the (manual) thermostat to the desired position. Once the freezer is cold, put back the drawers and contents.



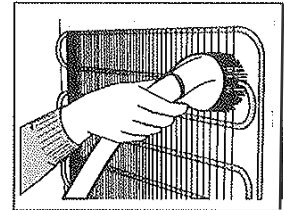
**CAUTION:** Do not use boiling water or an electric device such as a hair dryer to help speed up the defrosting because this could damage the plastic parts of the unit. In addition, never use a sharp or metallic instrument to remove frost as it may damage the cooling coils and will void the warranty. We recommend using a plastic scraper.

## Care and Maintenance

### **Cleaning Your Freezer:**

**CAUTION:** Failure to unplug the unit before cleaning can result in electrical shock or personal injury.

1. Unplug the freezer and remove the frozen items and drawers.
2. Wash the inside surfaces with a solution of lukewarm water and vinegar. Wipe dry with a clean, soft cloth.
3. Wash the drawers with a mild detergent solution, then rinse and dry thoroughly.
4. Wash the outside cabinet with warm water and mild liquid detergent. Rinse well and wipe dry with a clean soft cloth.
5. Wring excess water out of the sponge or cloth before cleaning the area of the temperature control or any electrical parts.
6. From time to time, wipe the condenser on the rear wall with a soft non-metallic brush or vacuum cleaner. (See illustration.)
7. After you have cleaned the appliance, reconnect it to the power supply and return the drawers and frozen items back to their place.



### **Power Failure:**

Most power failures are corrected within a few hours and should not affect the temperature of your freezer if you minimize the number of times the door is opened. If the power is going to be off for a longer period of time, you need to take the proper steps to protect your frozen items.

### **Vacation Time:**

During long absences, remove all the contents of the freezer. Unplug the freezer, clean it and leave the door open slightly to avoid possible formation of condensation, mold or odors.

### **Moving Your Freezer:**

1. Remove the contents of the freezer.
2. Securely tape down all loose items (e.g., drawers) inside your unit.
3. Turn the leveling legs up to the base to avoid damage.
4. Tape the door shut.
5. Be sure the freezer stays secure in the upright position during transportation.

### **Energy-Saving Tips:**

- The freezer should be located in the coolest area of the room, away from heat-producing appliances or heating ducts and out of direct sunlight.
- Try not to open the door too often, especially when the weather is damp and hot. Once you open the door, close it as soon as possible.
- Occasionally check if the appliance is sufficiently ventilated (adequate air circulation behind and in front of the appliance).
- Set the thermostat from higher to lower settings as soon as possible (depends on how loaded the appliance is, ambient temperature, etc.).
- Before loading items into the unit, be sure they are cooled to ambient temperature.
- A layer of frost and ice increases energy consumption, so defrost the appliance as soon as the layer is 1/8"-1/4" thick.

## Troubleshooting

When using the freezer, you may come across some problems that in many cases result from improper handling of the appliance and can easily be eliminated.

### TROUBLESHOOTING GUIDE

*The appliance fails to operate after being connected to the power source.*

- Check whether the power supply is active and that the (manual) thermostat is not set to the **stop** position.

*The red light is on (manual thermostat), or unit is not cooling properly (digital thermostat).*

- The door was opened frequently or it was left open too long.
- The door is not properly closed (the door may sag; the gasket may be dirty or damaged).
- The power supply has been interrupted for a long period of time.
- The appliance may have been overloaded with unfrozen items.

*The compressor is running continuously.*

- Set the (manual) thermostat from **super** to another setting.
- Increase the *Set Point* on the (digital) thermostat slightly.
- There may be inadequate ventilation of the compressor and condenser. (Assure there is adequate air circulation behind the appliance and wipe the dust from the condenser.) The space in front of the front air vents must be clear.

*The freezer door is hard to open.*

If you try to open the door after it has just recently been closed, you may find it hard to open. This is because, when you open the door, warm air gets into the appliance and when it is cooling, lower interior pressure seals the door.

The door can be opened more easily by slightly pressing the gasket against the door and pulling on the door.

After 5 to 10 minutes, the door can be opened easily.

### Noise

Cooling in refrigeration appliances is enabled by the refrigerating system with compressor, which produces noise. How noisy the appliance is depends on where it is placed, how it is used and how old the appliance is.

- During the operation of the compressor, the noise of liquid is heard and when the compressor is not operating, the refrigerant flow is heard. This is a normal condition and has no influence whatsoever on the lifetime of the appliance.
- After starting the appliance, the operation of the compressor and the refrigerant flow may be louder. This does not mean that something is wrong. Gradually the noise is reduced.
- Sometimes a louder noise is heard, which is unusual for the appliance. This noise is often a consequence of improper placement of the unit. (The freezer should be placed and leveled firmly on a solid base and it should not touch the wall or cabinets standing next to it.)

# Limited Warranty

## **ONE-YEAR LIMITED WARRANTY**

Within the 48 contiguous United States, for one year from the date of purchase, when this appliance is operated and maintained according to instructions attached to or furnished with the product, warrantor will pay for factory-specified parts and repair labor to correct defects in materials or workmanship. Service must be provided by a designated service company. Outside the 48 states, all parts are warranted for one year from manufacturing defects. Plastic parts, shelves and cabinets are warranted to be manufactured to commercially acceptable standards, and are not covered from damage during handling or breakage.

## **5-YEAR COMPRESSOR WARRANTY**

1. The compressor is covered for 5 years.
2. Replacement does not include labor.

### ***ITEMS WARRANTOR WILL NOT PAY FOR:***

1. Service calls to correct the installation of your appliance, to instruct you how to use your appliance, to replace or repair fuses or to correct wiring or plumbing.
2. Service calls to repair or replace appliance light bulbs or broken shelves. Consumable parts (such as filters) are excluded from warranty coverage.
3. Damage resulting from accident, alteration, misuse, abuse, fire, flood, acts of God, improper installation, installation not in accordance with electrical or plumbing codes, or use of products not approved by warrantor.
4. Replacement parts or repair labor costs for units operated outside the United States.
5. Repairs to parts or systems resulting from unauthorized modifications made to the appliance.
6. Expenses for travel and transportation for product service in remote locations.
7. The removal and reinstallation of your appliance if it is installed in an inaccessible location or is not installed in accordance with published installation instructions.

## **DISCLAIMER OF IMPLIED WARRANTIES - LIMITATION OF REMEDIES**

CUSTOMER'S SOLE AND EXCLUSIVE REMEDY UNDER THIS LIMITED WARRANTY SHALL BE PRODUCT REPAIR AS PROVIDED HEREIN. IMPLIED WARRANTIES, INCLUDING WARRANTIES OF MERCHANTABILITY OR FITNESS FOR A PARTICULAR PURPOSE, ARE LIMITED TO ONE YEAR. WARRANTOR SHALL NOT BE LIABLE FOR INCIDENTAL OR CONSEQUENTIAL DAMAGES. SOME STATES DO NOT ALLOW THE EXCLUSION OR LIMITATION OF INCIDENTAL OR CONSEQUENTIAL DAMAGES, OR LIMITATIONS ON THE DURATION OF IMPLIED WARRANTIES OF MERCHANTABILITY OR FITNESS, SO THESE EXCLUSIONS OR LIMITATIONS MAY NOT APPLY TO YOU. THIS WARRANTY GIVES YOU SPECIFIC LEGAL RIGHTS AND YOU MAY ALSO HAVE OTHER RIGHTS, WHICH VARY FROM STATE TO STATE.

**WARNING!** This product may contain chemicals known to the state of California to cause cancer or birth defects or other reproductive harm. For more information, visit: [www.summitappliance.com/prop65](http://www.summitappliance.com/prop65)

Chemicals known by the manufacturer to be present in this product in concentrations higher than threshold limits: NONE.