



The 89 Series Relax Recliner is an economical, adaptable choice in patient seating when patient transport is not needed.

Start with the basic recliner and choose only the features required for your specific treatment therapies. Standard swing-away arms provide versatility, easy cleaning, efficient maintenance and lateral patient transfers.



All steel, powder-coated frame for durability.*
Z-spring construction for greater comfort.

STANDARD FEATURES

- Swing-away arms
- Wall-hugger mechanism (infinite recline positions)
- Quick-release seat
- 3" steel casters

**Retractable foot tray, 5 inch casters and push handle do not come with the 89 Series, but can be added as options.*



3" steel casters



Quick-release seat



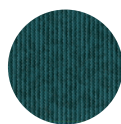
Wall-hugger recline mechanism

STANDARD VINYL SELECTION

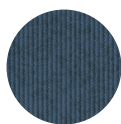
Printed color swatches may not be an exact match to actual fabrics and are enlarged to show detail



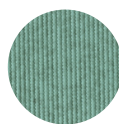
NATURAL
T09



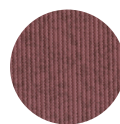
AQUAMARINE
T19



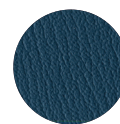
BONNIE BLUE
T21



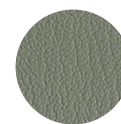
ICED MINT
T26



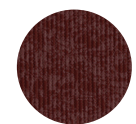
TEAROSE
T43



COLONIAL BLUE
T45



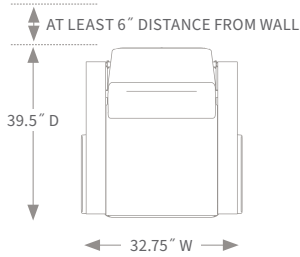
GRAY
T56



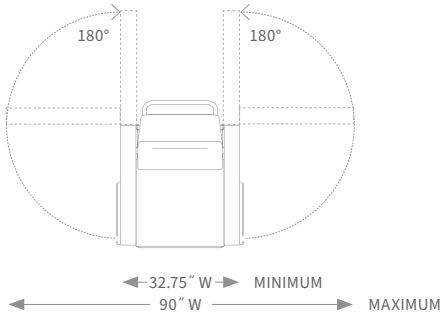
CRANBERRY
T96

SPACE REQUIREMENTS STANDARD MODEL

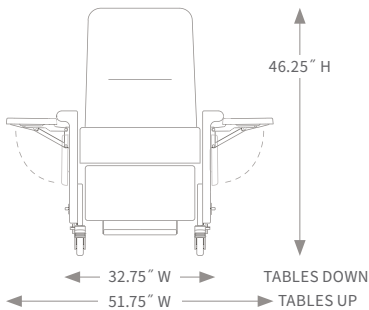
TOP VIEW



TOP VIEW WITH SWING-AWAY ARMS

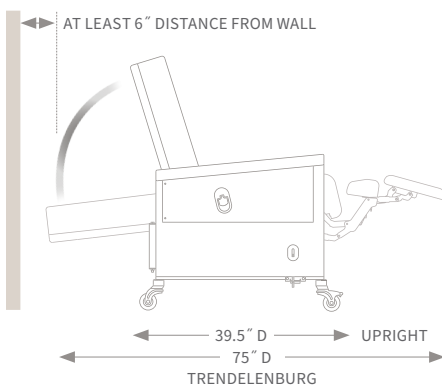


FRONT VIEW



Shown with optional second fold away table.

SIDE VIEW



BODY OPTIONS

Trendelenburg	USB charging port
Gray fold-away table	Heat + massage
Push handle	Heat only
Premium 5" casters - Set of 4	Dual-hand control (power models only)
Retractable foot tray	Cupholder on the fold-away table(s)

◇ Additional charges apply.



USB charging port



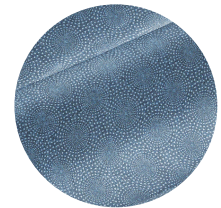
Push handle



Heat system

COVERING UPGRADES

Graded vinyl selections
PVC-free material
Customer's own material (COM)
Silicone and Polyurethane



Graded vinyl selections

RECOMMENDED ACCESSORIES

Head pillow/lumbar support
Arm covers
Head flap

For a full list of accessories, view our Accessories brochure, the Champion website, or ask your Champion representative for more information.



Head pillow

SPECIFICATIONS

STANDARD MODEL NUMBER
89P | 898

Power recline	✓
Manual recline	✓
Weight capacity	300 lbs.
Back height (from floor/seat)	46.25"/28.5"
Overall width (two optional gray tables down/up)**	32.75"/51.75"
Maximum width (arms open at widest)	90"
Minimum width (arms open at 180°)	32.75"
Seat width	22.75"
Seat height/depth	23.25"/19.5"
Arm height (from floor)	27.5"
Overall upright depth/Trendelenburg depth***	39.5"/75"
Steel casters (diameter)	3"

**Measured with arms closed.

***Measured with no push handle.

champion.

Information contained in this literature is based on the latest product data available at the time of printing. Swatches are enlarged to show detail. Photography, artwork, text and specifications are subject to change. Photography may show optional items. Due to photographic and printing processes, product colors in this brochure are not necessarily accurate. Champion Manufacturing Inc. reserves the right to make changes to colors, materials, prices, standards, options, equipment and any specification at any time without notice or obligation.