

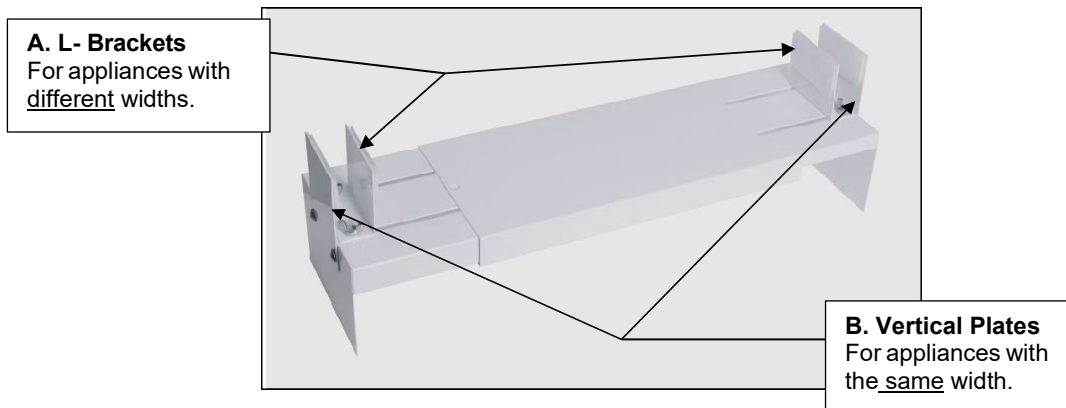
Stacking Appliance Combinations with the StackRack-Z Kit

Secure the top and bottom units with the **StackRack-Z Kit** provided. Follow the instructions according to your specific appliance combination to prevent the unit from tilting forward.

Included with StackRack-Z Kit	
Item	Quantity
Extendable Brackets	2
Z-Bracket	1
Flat Bracket	1
Phillips Self-Tapping Screws	5

Note: You will need both extendable brackets to safely secure the two appliances.

Attaching the Extendable Bracket:



Note: Ensure the narrower appliance is placed on top of the wider one.

A. Appliances with the Same Widths:

1. Unscrewing the wing nuts to remove the L-Brackets (A) from the extendable brackets by. You will not need them.
2. Position the extendable brackets over the front and rear of the bottom unit. **Do not** press the sides in all the way.
3. Peel off the Velcro strip film cover on the Vertical Plates (B).
4. Align the top appliance between the extendable brackets, ensuring the legs (or rear support plate) are secure.
5. Press the sides of the bracket in and press them firmly against the unit. This completes the assembly.

B. Appliances with Different Widths:

Note: If using AFZ1PV with ARG31PVBIADA or ARS32PVBIADA see instructions on 'Reversing the L-Bracket' before attaching the extendable bracket.

1. Remove the Vertical Plates (B) from the extendable brackets with a Phillips head screwdriver. You will not need them.
2. Position the extendable brackets over the front and rear of the bottom unit, press the sides in till flush.
3. Align the top appliance between the extendable brackets, ensuring the legs (or rear support plate) are secure.
4. Loosen the wing nuts holding the L-Brackets (A) and peel off the inner Velcro strip film cover.
5. Slide the L- Brackets in pressing firmly, tighten the wing nuts. This completes the assembly.

Attaching the Rear Support Brackets:

For combination units **AFZ1PV** onto the **ARG31PVBIADA** or **ARS32PVBIADA** reverse the orientation of the L-Brackets on the extendable bracket and secure the Z-Bracket to the back of the unit.

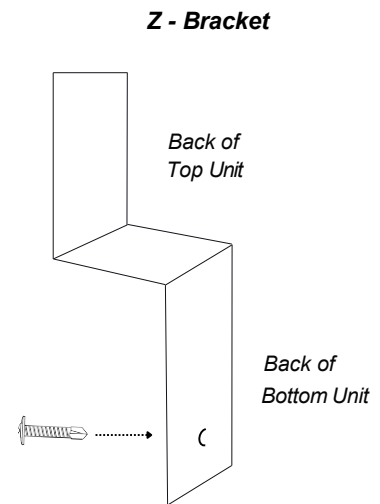
A. If the Top Appliance is Deeper than the Bottom (Z-Bracket):

Reversing the L-Bracket:

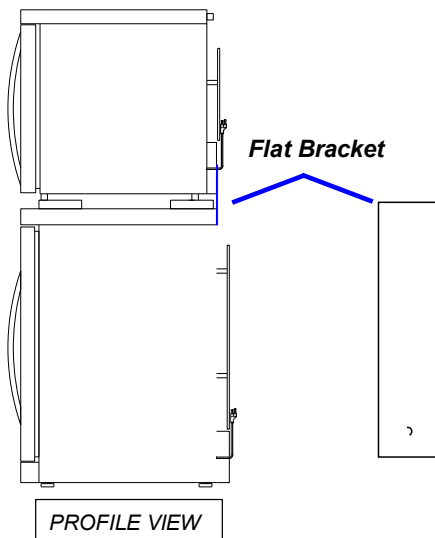
1. Unscrew the L-Bracket from the extendable brackets.
2. Turn the L-Bracket to face inward.
3. Position the L-Bracket into place, do not tighten them.
4. Peel off the inner Velcro strip film cover.
5. Slide the L- Brackets in pressing firmly against the unit.
6. Secure in place with the wing nuts.

Attaching the Z-Bracket:

1. Unscrew the middle screw from the back of the bottom unit. Set aside.
2. Align the pre-drilled hole on the Z-Bracket to the back of the bottom unit.
3. Use the screw to secure in place.



B. If the Top and Bottom Appliances Have the Same Depth (Flat Bracket):



1. Unscrew the middle screw on the back of the unit. Set aside.
2. Align the pre-drilled hole on the flat bracket to the unit.
3. Use the screw to secure in place.