

Outpatient.® LED

Examination Light

Sleek, powerful, efficient and precise light



burton®

Examination Light

Outpatient LED

The next generation of examination lighting has arrived.

Outpatient LED is the perfect low maintenance, top-performing light for examination applications in the hospital, physician's office and veterinary field.

Designed for patient comfort and ease of use

- LED sources provide virtually heat-free light for patient comfort
- High quality light for accurate color rendition
- Designed to reduce shadows on the examination area
- Modularity for ease of installation and assembly

Lower cost of ownership

- LED illumination offers 10x (or 50,000-hour average) the operational life of traditional halogen solutions
- Provides a 75% energy savings over current halogen option
- Smooth finish aids routine cleaning
- Reduced maintenance

Enhanced performance

- Increased illuminance to 90,000 lux (8361 fc) at 24" (61 cm)
- CRI (Color Rendering Index) > 95
- High R9 > 87, to accurately render skin tones
- Anti-microbial paint to inhibit the growth of microbes
- Lower profile to reduce space impact



Single Ceiling Mount



Double Ceiling Mount

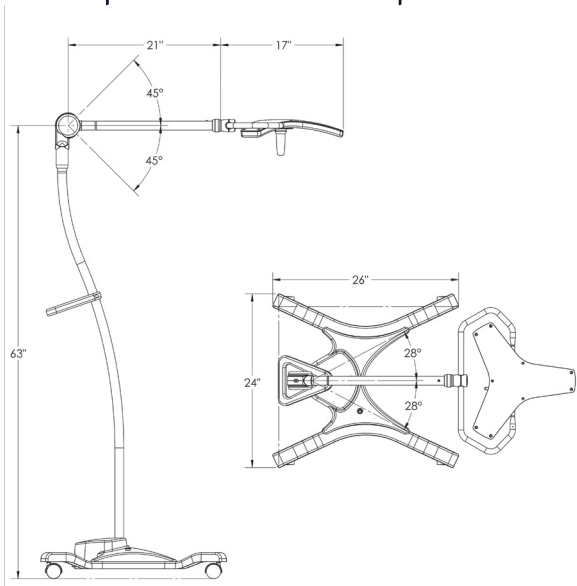


Floor Stand

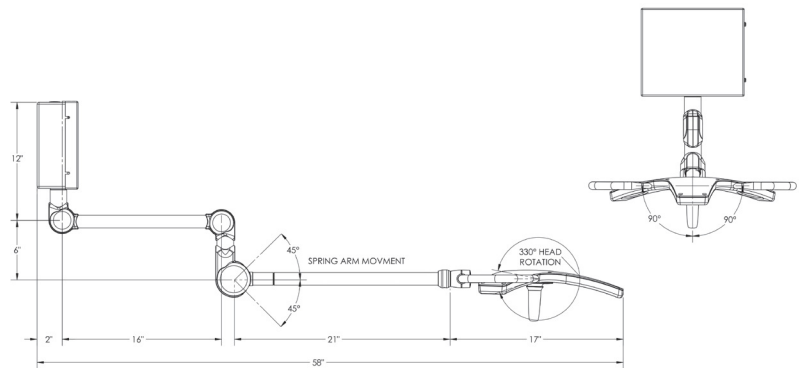
All models are sold complete with light and arm system. (Product images not to scale.)



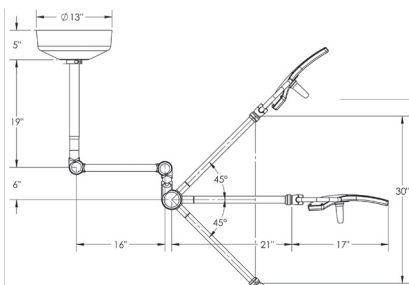
Outpatient LED product dimensions



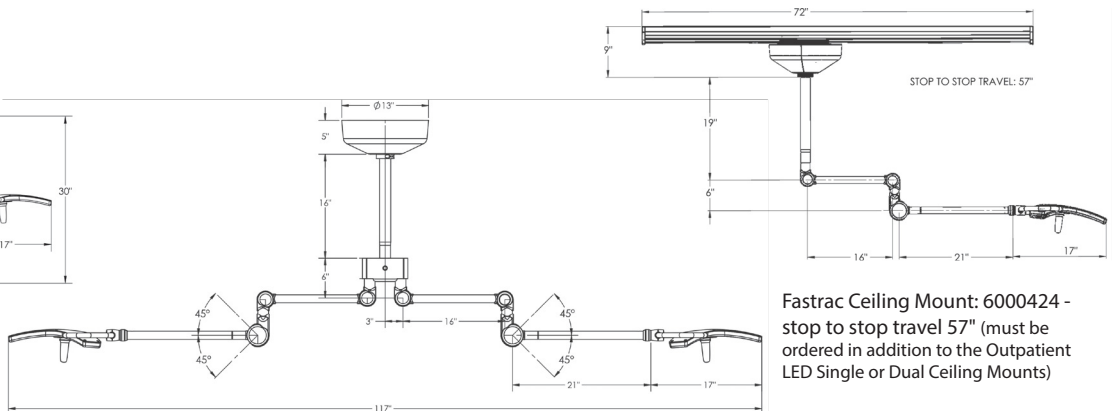
Floor Stand



Wall Mount



Single Ceiling Mount:
 OPLED SC – 19"
 OPLED SC09 – 26 7/8"
 OPLED SC10 – 34 3/4"



Dual Ceiling Mount:
 OPLED DC – 16"
 OPLED DC09 – 23 7/8"
 OPLED DC10 – 31 3/4"

Fastrac Ceiling Mount: 6000424 -
 stop to stop travel 57" (must be
 ordered in addition to the Outpatient
 LED Single or Dual Ceiling Mounts)

Summary of technical data

OUTPATIENT LED

Illuminance:	90,000 Lux (8361 fc) at 24" (61 cm)
Color Temperature:	3700 Kelvin
CRI (Color Rendering Index):	95
Light Source:	Light Emitting Diode (LED)
Rated Life of LED:	50,000-hour average LED life
Power:	42 Watts
Power Supply:	Integral Electronic Driver
Mounting Options:	Floor Stand, Wall, Ceiling
Maximum Arm Reach:	37.5" (95.25 cm)
Certifications/Approvals:	AAMI E560601-1, IEC 60601-1-2, EN/IEC 60601-2-41 and CAN/CSA C22.2 NO. 60601-1 certified
Product Warranty:	5-year limited warranty

Ordering Information

OUTPATIENT LED

Universal Input 100-240v

50-60Hz Model	Description
OPLEDFL	OPLED, Floor Stand, NEMA 5-15P
OPLEDFL01	OPLED Floor Stand, CEE 7/7
OPLEDFL02	OPLED Floor Stand, AS/NZS 3112
OPLEDFL03	OPLED Floor Stand, BS1363
OPLEDW	OPLED Wall Mount
OPLEDSC	OPLED Single Ceiling Mount
OPLEDSC09	OPLED Single Ceiling Mount 9 foot
OPLEDSC10	OPLED Single Ceiling Mount 10 foot
OPLEDDC	OPLED Dual Ceiling Mount
OPLEDDC09	OPLED Dual Ceiling Mount 9 foot
OPLEDDC10	OPLED Dual Ceiling Mount 10 foot

ACCESSORIES

Model No.	Description
0008100PK	Light handle covers, sterile, 25/box
6000424	Fastrac Ceiling Mount (must be ordered in addition to the Outpatient LED Single or Dual Ceiling Mounts)



Must be ordered in addition to the Outpatient LED Ceiling Mounts

IEC Plug Type



Floor Model Only: Add appropriate Plug Type to the end of the model number.¹

OPLEDFL 01



Example 1: OPLEDFL for a 100-240V Floor Wall Model with Nema 5-15P Plug. **Example 2:** OPLEDFL01 for a 100-240vV Floor Stand Model with SCHUKO CEE 7/7

Ceiling Models Only: Add appropriate Ceiling Height to the end of the model number.²

OPLEDDC 09



Example 3: OPLEDDC for a 100-240V Single Ceiling Model, 8 Foot Ceiling Height. **Example 4:** OPLEDDC09 for a 100-240V Dual Ceiling Model, 9 Foot Ceiling Height.

¹100-120V Do not add Plug Type, NO CODE: NEMA 5-15P, 01: CEE 7/7, 02:AS/NZS 3112, 03: BS1363. ²8 Foot Ceiling, No Code Required



© 2020 Burton Medical. All rights reserved.
Burton Medical reserves the right to make changes in specifications and/or to discontinue any product at any time without notice or obligation and will not be liable for any consequences resulting from the use of this publication.

