

ARS15PVLOCKER



72" x 23.38" x 24.38" (H x W x D)

Performance series Pharma-Vac 15 cu.ft. upright all-refrigerator for vaccine storage with 8 interior locking compartments, with antimicrobial silver-ion handle and hospital grade cord with 'green dot' plug

Highlights:

Intelligent microprocessor digital temperature controller

Improved temperature accuracy with a separate temperature probe for continuous product readout to simulate stored product temperature

Powder-coated handle with naturally occurring silver ions to help reduce germ spread

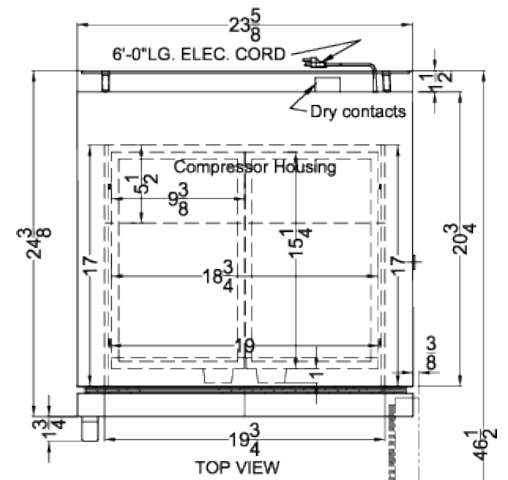
Product Features:

Purpose-built design	Designed and purpose-built for pharmacy, medication, and vaccine applications to support meeting CDC/VFC/VFA guidelines
+/-1°C Variation	The published temperature variation is derived from the maximum deviation of an NTC sensor in a 1 oz. vial located nearest the chamber geometric center during a 24 hour test period
Antimicrobial silver ion-coated handle	Powder-coated handle with naturally occurring silver ions to help reduce the spread of germs
Adjustable temperature	Intuitive controls let you adjust the interior temperature between +2 to +8°C
Temperature alarm	Visual and audible alarms alert if the interior temperature rises or falls out of set range
Remote alarm contacts	Electronic controller is equipped with a volt-free contact for alarm forwarding to an external remote system (contacts located in the external rear of the unit)
Automatic defrost with adjustable cycle defrost	Adjustable cycle defrost operation ensures the unit avoid temperature spikes and ice buildup
Access port	Includes a pre-installed 1/2" probe hole in the right interior wall to allow easier connection to user-provided monitoring equipment
Open door alarm	Alarm will sound if the door is left ajar for over 4 minutes (adjustable from 1-99 minutes)

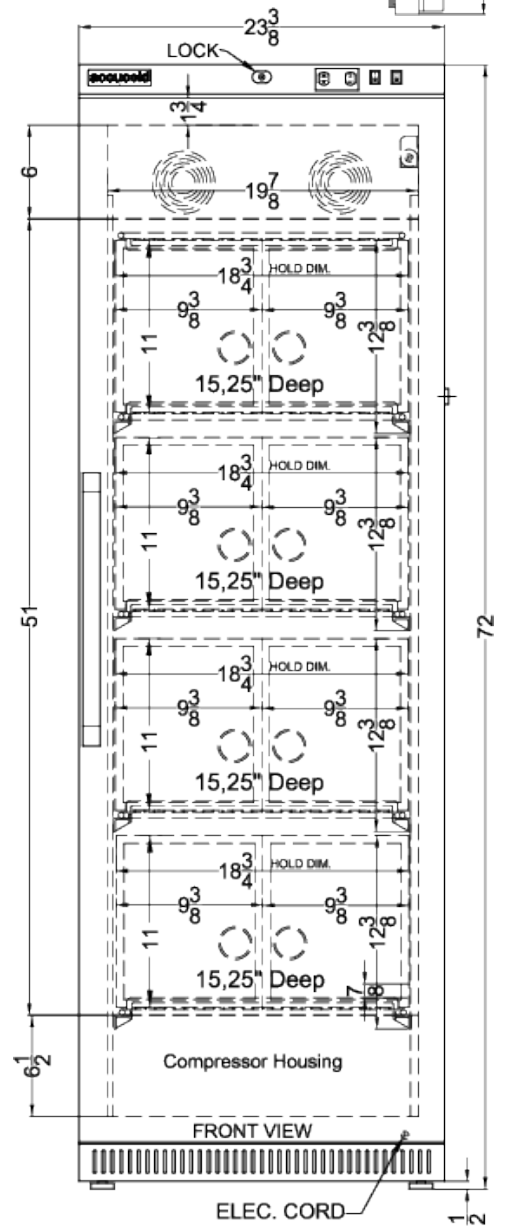
ARS15PVLOCKER Specifications:

Overview	
Nominal Height	72.0" (183 cm)
Height of Cabinet	72.0" (183 cm)
Nominal Width	24.0" (61 cm)
Width	23.38" (59 cm)
Width with Door Open	23.88" (61 cm)
Nominal Depth	25.0" (64 cm)
Depth	24.38" (62 cm)
Depth with Handle	26.13" (66 cm)
Depth with door at 90°	46.5" (118 cm)
Capacity	15.0 cu.ft. (425 L)
Defrost Type	Automatic
Door	White
Cabinet	White
US Electrical Safety	ETL
Canadian Electrical Safety	ETL-C
Amps	1.4
Voltage/Frequency	115 V AC/60 Hz
Weight	240.0 lbs. (109 kg)
Parts & Labor Warranty	2 Years
Compressor Warranty	5 Years
UPC	761101074955
Refrigerator Features	
Door Swing	RHD
Reversible	Yes
Shelf Type	Lockers
Shelf Qty	8
Thermostat Type	Digital
Fan Type	Interior
Refrigerant Type	R600a
Refrigerant Amount	2.65oz.
Interior Light	Yes
Temperature Range	2 to 8°C
Sound Level	37.5 dB
Dimensions	
Interior Height	63.25" (161 cm)
Interior Width	20.0" (51 cm)
Interior Depth	17.0" (43 cm)

Compressor Step Height	6.5" (17 cm)
Compressor Step Width	20.0" (51 cm)
Compressor Step Depth	5.0" (13 cm)



ARS6,8,12,15.PVLOCKER



ARS15PVLOCKER