



Examination Light

Super Exam LED

A combination of flexible drift-free positioning, excellent light output and LED energy-saving technology.



burton®

Examination Light

Super Exam LED

User-friendly and exceptional performance.

Delivering superior illumination to a focused area, Burton's Super Exam LED light is ideal for general examination.

Usability

- Flexible and precise covered spring-balanced arm is easy to position exactly where light is required
- The power and dimming switch is positioned near the handle for one-handed operation
- Easy access handle designed for quick positioning

Performance

- High performing energy efficient LED components are virtually maintenance free
- Recessed LED light source to reduce glare
- Fully dimmable for the perfect amount of light
- Industry leading 5-year warranty
- Night light, low light output mode to prevent disturbing patients

Construction

- SteriTouch® coating inhibits the growth of bacteria
- Powder-coated metal construction for durability
- Light source covered with tempered glass
- Smooth surface design for easy wipe down with hospital-grade disinfectants

Floor and Table



Horizontal Movement

(left): Designed for maximum movement in the horizontal plane. Typical applications: Floorstand, table mounted.

Vertical Movement

(right): More vertical movement than arms found on large examination lights. The arm will always tilt forward to avoid collisions with the wall. Typical applications: Wall mounted, ceiling mounted.

Wall and Ceiling





Drift-free K-arm provides better positioning than goosenecks and is easier to clean



Table Mount Model

Floor Stand

Ceiling Mount

Wall Mount

All models are sold complete with light and arm system. (Product images not to scale.)

Super Exam LED product dimensions

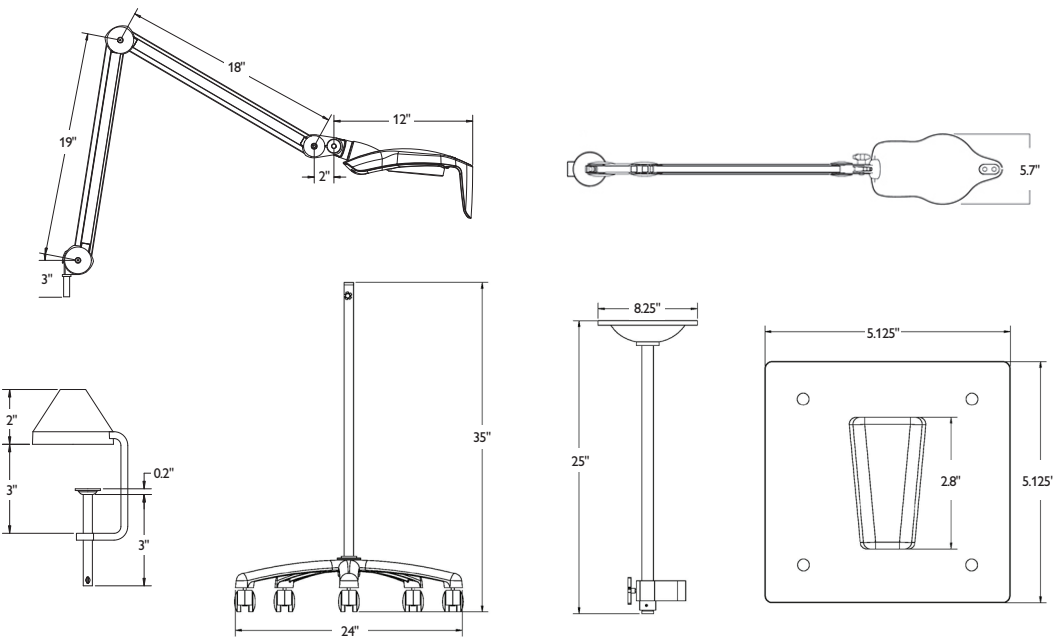


Table Mount

Floor Stand

Ceiling Mount:
• 8-9 ft. = 25"
• 10 ft. = 40"

Wall Mount



Intuitive and ergonomic
The power and dimming switch is positioned near the handle for one-handed operation.



Dimming feature
The power button also serves as a dimming switch.



SteriTouch® antimicrobial powder coating
Prevents the growth of bacteria, biofilm and mold continuously throughout the product's lifetime.



Extremely energy efficient
Super Exam LED features a long lasting, energy-efficient LED light source with an incredible lifespan of 50,000 hours or more.

Summary of technical data

SUPER EXAM LED

Illuminance:	35,000 Lux (3251 fc) at 39.37" (1 m)
Color Temperature:	4000 Kelvin
CRI (Color Rendering Index):	>95
Light Source:	Light Emitting Diode (LED)
Rated Life:	50,000-hour average LED life
Power:	20 Watts
Mounting Options:	Single Ceiling Mount, Table Mount, Floor Stand and Wall Mount
Applications:	General examination
Certifications/Approvals:	ES 60601-1, IEC 60601-2-41, -1-6, EN 60601-1-2, CAN/CSA C22.2 NO. 60601-1
Product warranty:	5-year limited warranty

Note: The optical data are nominal values based on measurements calculated according to UL/IEC performance standards at 100v - 240v applications

Ordering Information

SUPER EXAM LED

Universal Input 100-240v 50-60Hz Model	Description	Universal Input 100-240v 50-60Hz Model	Description
SELEDFL	Super Exam LED Floor Stand	SELEDT	Super Exam LED Table Mount
SELEDFL01	Super Exam LED Floor Stand EU	SELEDT01	Super Exam LED Table Mount EU
NOT OFFERED	Super Exam LED Floor Stand AS/NZS	SELEDT02	Super Exam LED Table Mount AS/NZS
SELEDFL03	Super Exam LED Floor Stand UK	SELEDT03	Super Exam LED Table Mount UK
SELEDC	Super Exam LED Ceiling Mount	SELEDW	Super Exam LED Wall Mount
SELEDC10	Super Exam LED 10 Ft Ceiling Mount	SELEDW01	Super Exam LED Wall Mount EU
SELEDC01	Super Exam LED Ceiling Mount EU	SELEDW02	Super Exam LED Wall Mount AS/NZS
SELEDC0110	Super Exam LED 10 Ft Ceiling Mount EU	SELEDW03	Super Exam LED Wall Mount UK
SELEDC02	Super Exam LED Ceiling Mount AS/NZS		
SELEDC0210	Super Exam LED 10 Ft Ceiling Mount AS/NZS		
SELEDC03	Super Exam LED Ceiling Mount UK		
SELEDC0310	Super Exam LED 10 Ft Ceiling Mount UK		

100V Model	230-240V* Models	Description	IEC Plug Type
SELEDFL	SELEDFL*___	Super Exam LED Floor Stand	 
SELEDC	SELEDC*___	Super Exam LED Ceiling Mount	
SELEDT	SELEDT*___	Super Exam LED Table Mount	
SELEDW	SELEDW*___	Super Exam LED Wall Mount	

Where applicable, add appropriate Plug Type to the end of the model number. ¹



Example 1: SELEDW for a 100/120V Wall Model with Nema 5-15P Plug.

Example 2: SELEDFL02 for a 230/240V Floor Stand Model with AS/NZS 3112 Plug.

Example 3: SELEDC0310 for a 230/240v Ceiling Model with BS1363 plug and downtube for 10 Foot Ceiling.

¹ 100-120V Do not add Plug Type, NO CODE: NEMA 5-15P, 01: CEE 7/7, 02: AS/NZS 3112, 03: BS1363.

² 8" - 9" Ceilings are standard.

³ For 10' Ceiling applications, add 10 to Model number as shown in the example above.

Default (No Code):
NEMA 5-15P

01: CEE 7/7



02: AS/NZS 3112



03: BS1363



© 2018 Burton Medical. All rights reserved.
Burton Medical reserves the right to make changes in specifications and/or to discontinue any product at any time without notice or obligation and will not be liable for any consequences resulting from the use of this publication.



Burton Medical, LLC