

Product Name:	Cell Culture Insert
Product Application:	<p>Cell inserts are commonly used in cell experiments, such as: co-culture experiments, chemotaxis experiments, cell migration experiments, cell invasion and drug transport experiments. Permeable supports may effectively improve the culture of polar cells, since these supports allow cells to secrete on and absorb molecules from their basal and apical surfaces to metabolize in a more natural way, as well as to stimulate the in vivo environment to the maximum extent for culturing of some special cell lines.</p> <ol style="list-style-type: none"> PC membrane: This membrane exhibits excellent cell adhesion and can be used to culture most types of cells without extra coatings. It is therefore suitable for transport studies and other applications that require optimal cell growth. Additionally, the PC membrane is also well-suited for barrier analysis. PET membrane: With better optical clarity, it facilitates cell observation under a microscope and cell imaging.
Product Materials:	<p>PS + PC/ PET (membrane)</p> <p>Meets <i>USP, Class VI standards</i></p>
product Specifications:	<p>Temperature range: stored at room temperature</p> <p>Shelf life: 5 Years after date of production (ensure package is uncompromised)</p>
Sterilization:	<p>Yes.</p> <p>Sterilized by E-beam, Sterility Assurance Level: SAL=10⁻⁶. The product has been irradiated and dosimetrically released based on ANSI/AAMI/ISO 11137</p>
Pyrogens:	Non-Pyrogenic
RNase/DNase:	DNase/RNase free
BSE/TSE:	These products are deemed animal free.
Performance Testing:	<p>Each manufacturing lot is sampled and tested in accordance with standard operating procedures.</p> <p>Appearance inspection: qualified Hydrophilic test: qualified</p> <p>Packaging inspection: qualified</p>
Features	<ol style="list-style-type: none"> Innovative edge design for convenient sampling. Great insertion versatility, can match with multiple brands: 6-well, 12-well, 24-well. PC membrane: low adsorption rate, reduces the loss of small-molecule proteins and other compounds. PET membrane: excellent transparency, providing better optical clarity for easy observation of cell status The membrane materials have passed the <i>USP, Class VI</i> toxicity tests and are used for the field of medical devices Compatible with most solvents used for fixing and staining.

Indications for Use

- Before use, add the liquid medium into the wells of the multi-well plate and put the insert in, then add the liquid medium containing cells into the insert;
- Pre-balance: add the liquid medium into the multi-well plate and put the insert in, then put the whole thing into an incubator for at least 1 hour, or overnight;
- Check the volume of the liquid medium regularly, and replenish fresh medium, if necessary.
- Nevertheless, the cell layers may be fixed and stained directly in the insert using basic cytological methods. Note: avoid using solvents that may dissolve PC membranes.
- Fix and stain the cells in the insert directly and the membrane may be cut off with a scalpel for long-term storage.

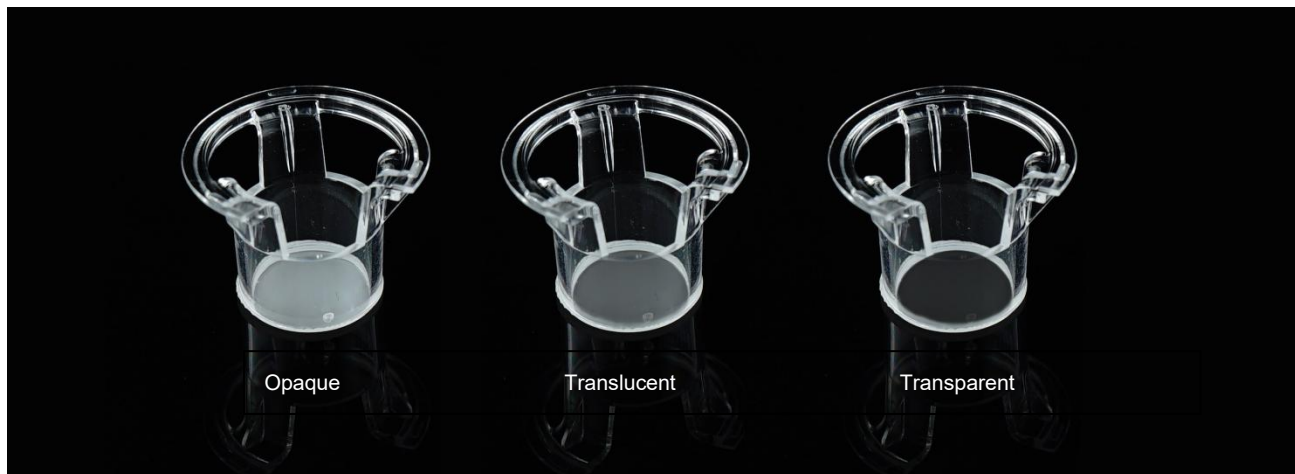
Precautions

- Adhesion of the cells growing on the permeable support (membrane) is sensible to the starting inoculation density, so it is necessary to use different inoculation densities to ensure optimum growth.
- During the culture process, when aspirating or adding liquid through the interspace between the upper layer and the well, please be careful and go slowly to avoid membrane damage;
- Before culturing cells, incubating the permeable support in the medium may promote the adhesion and distribution of cells.
- Bubbles often occur between the lower layer of the liquid medium and the insert, once the bubbles are generated, the chemotaxis of the lower medium will be weakened or even disappears, so special care must be taken during cell inoculation. If any bubble occurs, lift the insert up to remove the bubbles and then put the insert into the plate.

Product Specification

Specifications	Insert Diameter (mm)	Volume of each well (mL)	Inner Volume of Insert (mL)	Growth Area of Insert Membrane (cm ²)
6 Insert+6 well plate	24	2.6	1.5	4.67
12 Inserts+12 well Plate	12	1.5	0.5	1.12
12 Inserts+24 well Plate	6.5	0.6	0.1	0.33
100mm Dish	75	13	9	44

Pore Size of Membrane (µm)	Membrane Density (pores/cm ²)
0.4	1x10 ⁸
1.0	2x10 ⁷
3.0	2x10 ⁶
5.0	4x10 ⁵
8.0	1x10 ⁵



Product Range

Cell Culture Inserts, PC Membrane
 Individually packaged in peelable Tyvek film and Blister, Sterile

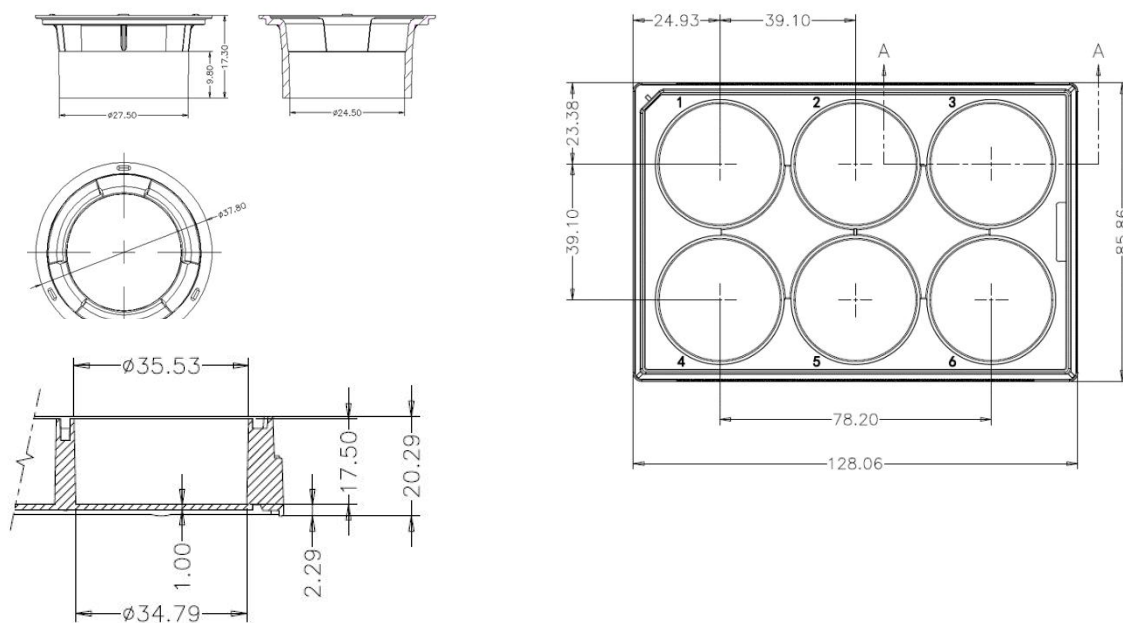
TC Treated Cat. No.	Non-Treated Cat. No.	Product Description	Pore Size (µm)	Membrane Transparence	/Pack	/Case
723101	723111	6 Cell Culture Inserts+6 Well Plate	0.4	Opaque	6	24
724101	724111	12 Cell Culture Inserts+12 Well Plate	0.4	Opaque	12	48
725101	725111	12 Cell Culture Inserts+24 Well Plate	0.4	Opaque	12	48
723001	723011	6 Cell Culture Inserts+6 Well Plate	3.0	Translucent	6	24
724001	724011	12 Cell Culture Inserts+12 Well Plate	3.0	Translucent	12	48
725001	725011	12 Cell Culture Inserts+24 Well Plate	3.0	Translucent	12	48
726001	/	100mm Cell Culture Insert-Dish	3.0	Translucent	1	10
724201	724211	12 Cell Culture Inserts+12 Well Plate	5.0	Translucent	12	48
725201	725211	12 Cell Culture Inserts+24 Well Plate	5.0	Translucent	12	48
723301	723311	6 Cell Culture Inserts+6 Well Plate	8.0	Translucent	6	24
724301	724311	12 Cell Culture Inserts+12 Well Plate	8.0	Translucent	12	48
725301	725311	12 Cell Culture Inserts+24 Well Plate	8.0	Translucent	12	48

Cell Culture Inserts, PET Membrane
 Individually packaged in peelable Tyvek film and Blister, Sterile

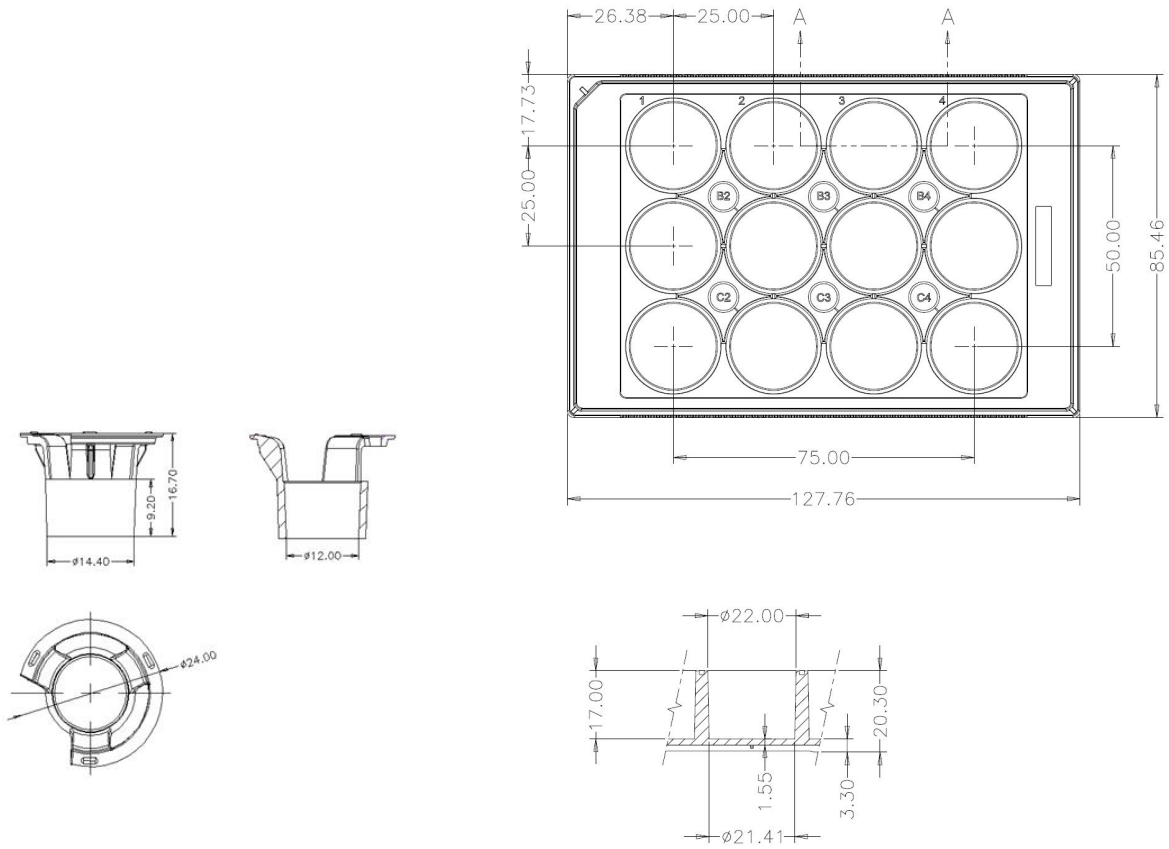
TC Treated Cat. No.	Non-Treated Cat. No.	Product Description	Pore Size (µm)	Membrane Transparence	/Pack	/Case
723121	723131	6 Cell Culture Inserts+6 Well Plate	0.4	Opaque	6	24
724121	724131	12 Cell Culture Inserts+12 Well Plate	0.4	Opaque	12	48
725121	725131	12 Cell Culture Inserts+24 Well Plate	0.4	Opaque	12	48
723421	723431	6 Cell Culture Inserts+6 Well Plate	1.0	Opaque	6	24
724421	724431	12 Cell Culture Inserts+12 Well Plate	1.0	Opaque	12	48
725421	725431	12 Cell Culture Inserts+24 Well Plate	1.0	Opaque	12	48
723021	723031	6 Cell Culture Inserts+6 Well Plate	3.0	Translucent	6	24
724021	724031	12 Cell Culture Inserts+12 Well Plate	3.0	Translucent	12	48
725021	725031	12 Cell Culture Inserts+24 Well Plate	3.0	Translucent	12	48
723321	723331	6 Cell Culture Inserts+6 Well Plate	8.0	Transparent	6	24
724321	724331	12 Cell Culture Inserts+12 Well Plate	8.0	Transparent	12	48
725321	725331	12 Cell Culture Inserts+24 Well Plate	8.0	Transparent	12	48

Technical Drawing

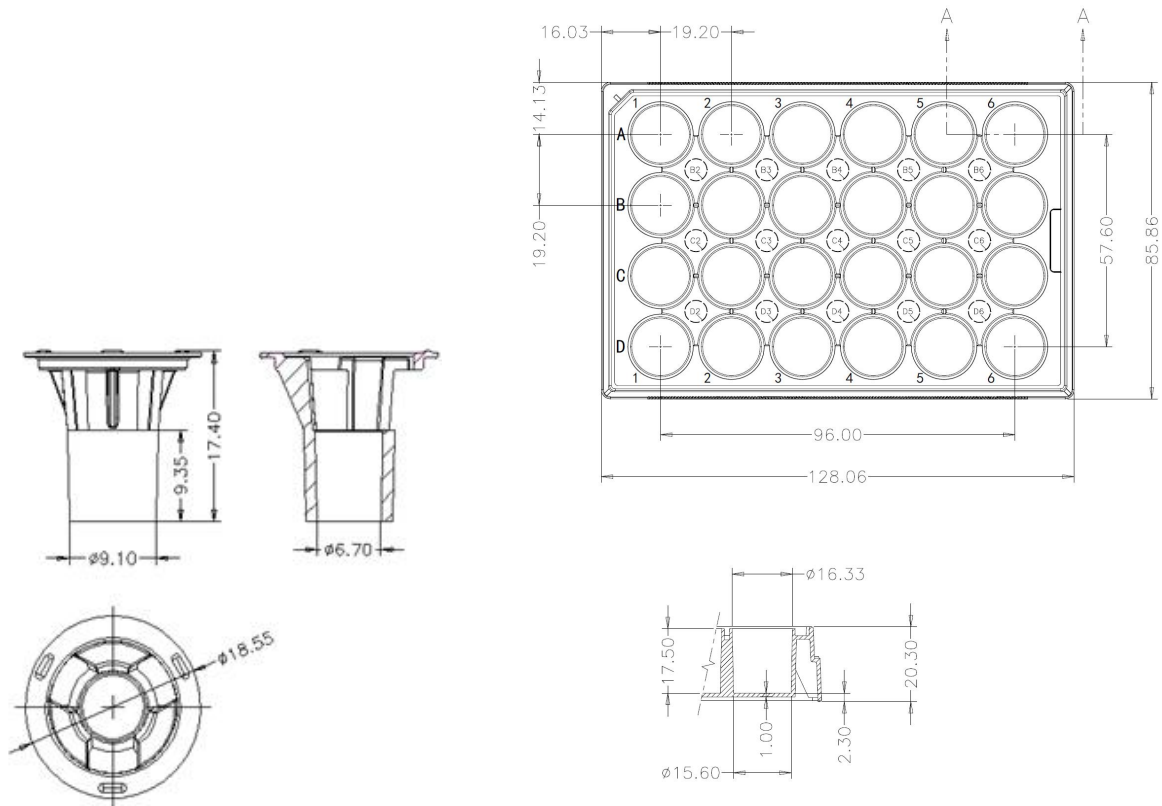
6 well cell culture plate



12 well cell culture plate



24 well cell culture plate



100mm Cell Culture Insert-Dish

