

Product Name:	Cell Culture Dish
Product Application:	NEST cell culture dishes are ideal for all types of culturing where microscopic observation is required. Numeric marks on the bottom of each dish allow users to identify the location of cells.
Product Materials:	Polystyrene (PS) Meets <i>USP, Class VI standards</i>
product Specifications:	Temperature range: stored at room temperature Shelf life: 3 Years after date of production (ensure package is in good)
Sterilization:	Yes. Sterilized by E-beam, Sterility Assurance Level: SAL=10 ⁻⁶ . The product has been irradiated and dosimetrically released based on ANSI/AAMI/ISO 11137
Pyrogens:	Non-Pyrogenic
RNase/DNase:	DNase/RNase free
BSE/TSE:	These products are deemed animal free.
Performance Testing:	Each manufacturing lot is sampled and tested in accordance with standard operating procedures. Appearance inspection: qualified Flatness test: qualified Hydrophilic test: qualified Cell culture test: qualified Packaging inspection: qualified
Features	<ol style="list-style-type: none"> 1. High clarity polystyrene 2. Flat transparent surface for distortion-free observation 3. TC treated: Vacuum Plasma tissue culture treatment, excellent cell adherence 4. Stackable for easy storage and handling

Product Range

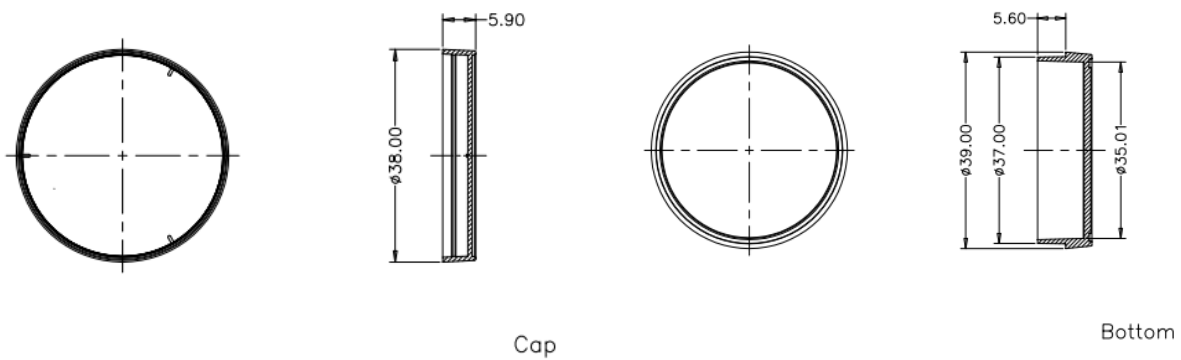
Cat. No.	Spec		Cell Growth Area (cm ²)	Recommended Medium Volume (mL)	/Pack	/Case
	Type	Height (mm)				
706001	35	12	8.5	1.8-2.7	20	500
706201	35(With Griping Ring)	12	8.5	1.8-2.7	20	500
705001	60	15	22.9	4.2-6.3	20	500
705201	60(With Griping Ring)	15	22.9	4.2-6.3	20	500

ISO9001 & ISO13485 & ISO11137

704004	100	20	57.6	11-16.5	5	300
704002	100	20	57.6	11-16.5	10	300
704001	100	20	57.6	11-16.5	20	300
704202	100(With Griping Ring)	20	59.3	11-16.5	10	300
704201	100(With Griping Ring)	20	59.3	11-16.5	20	300
715001	150	25	150.1	30.4-45.6	5	100

Technical Drawing

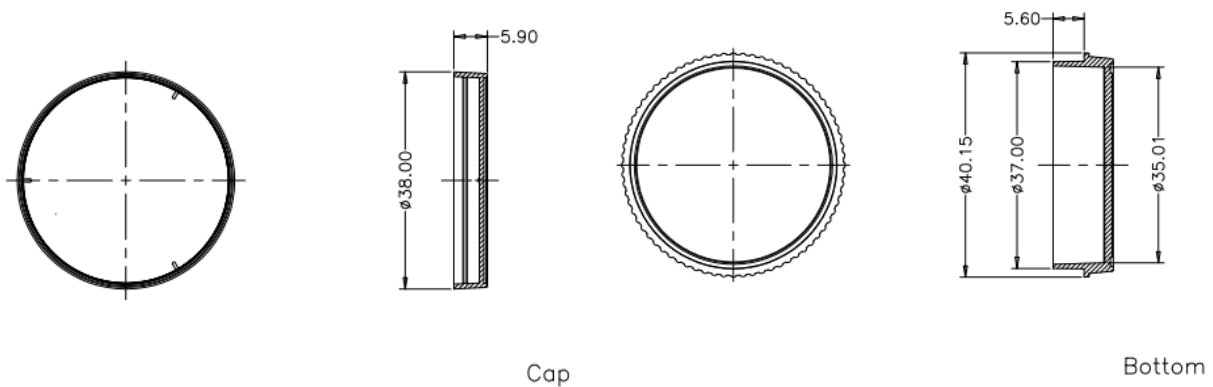
35mm cell culture dish



Cap

Bottom

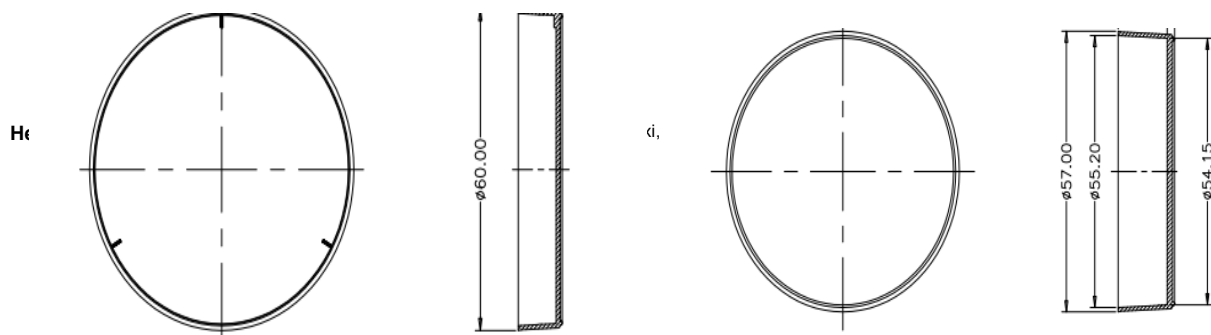
35mm cell culture dish With Griping Ring



Cap

Bottom

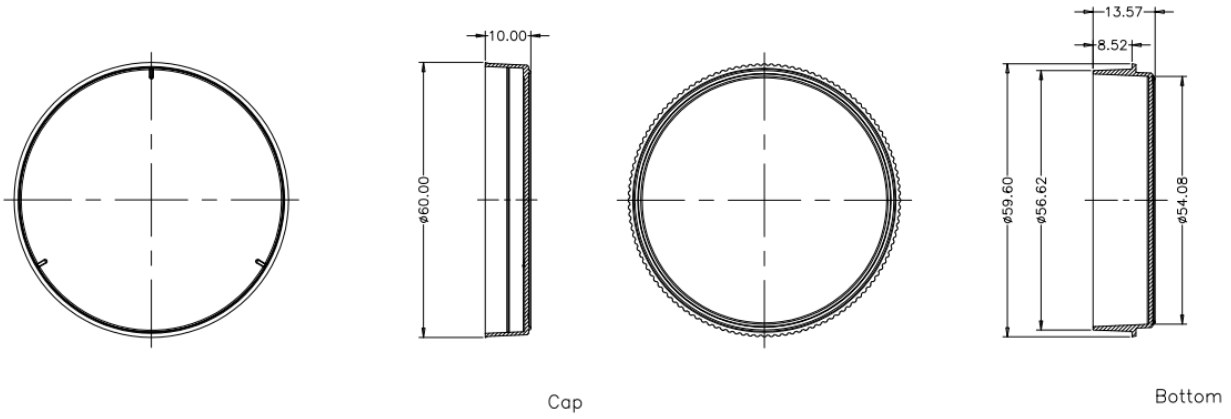
60mm cell culture dish



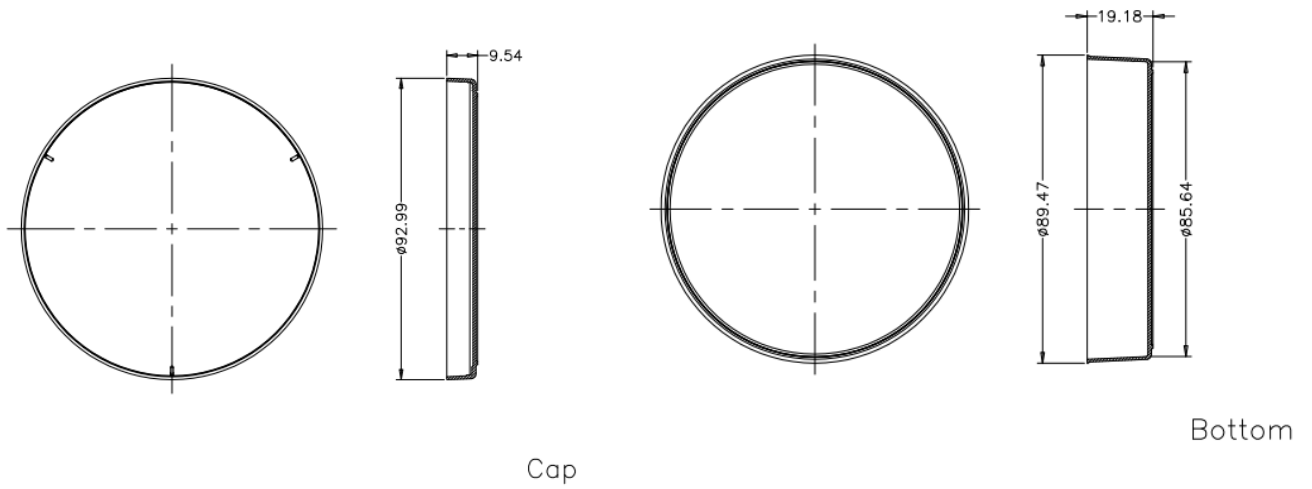
Ht

di

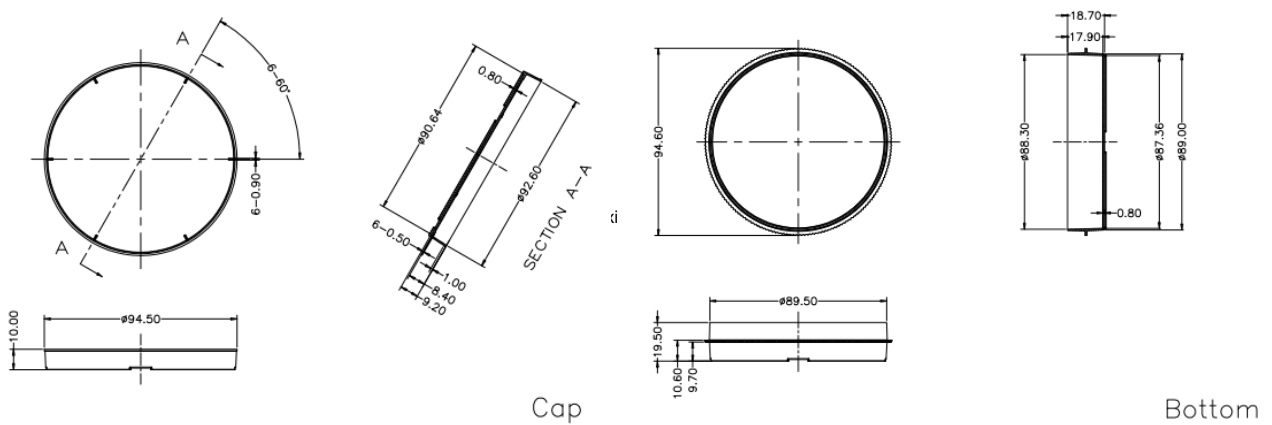
60mm cell culture dish With Griping Ring



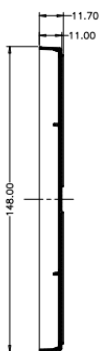
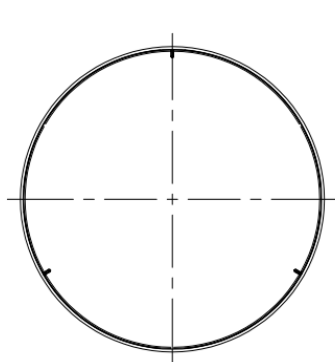
100mm cell culture dish



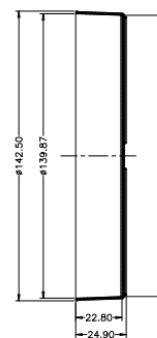
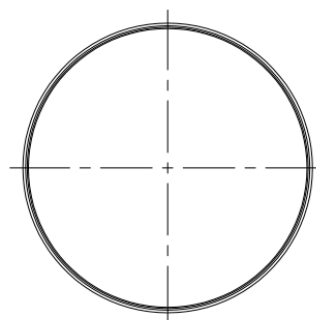
100mm cell culture dish With Griping Ring



150mm cell culture dish



Cap



Bottom