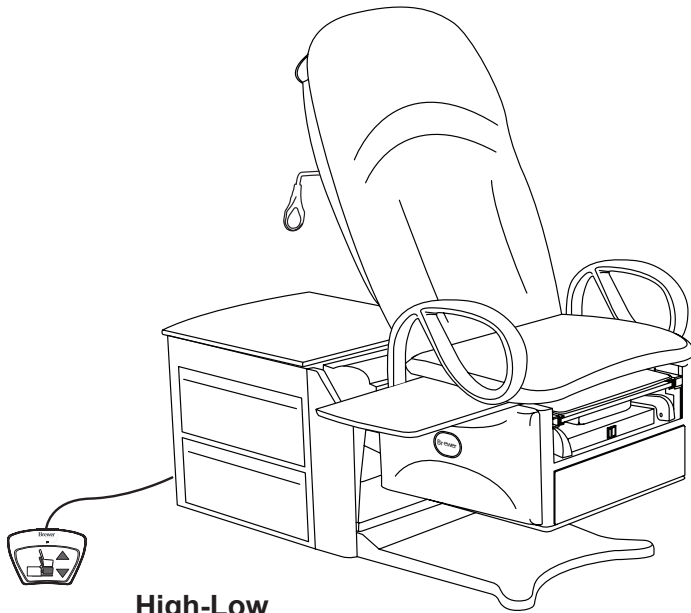


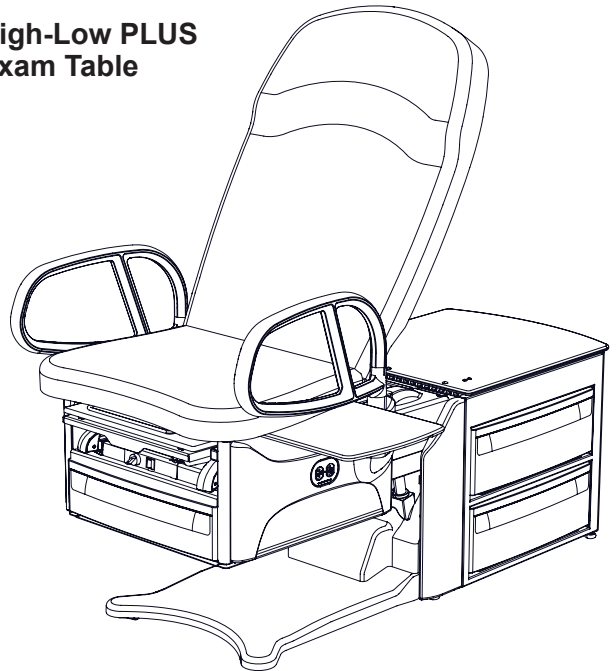
## High-Low and High-Low PLUS Exam Tables

### Installation and Operation Manual



**High-Low  
Exam Table**

**High-Low PLUS  
Exam Table**



<i>Safety Information</i> .....	2
<i>Important Information</i> .....	3
<i>Component Identification</i> .....	5
<i>Specifications</i> .....	6
<i>Installation</i> .....	8
<i>Operation</i> .....	16

<i>Maintenance</i> .....	29
<i>Service</i> .....	30
<i>Accessories</i> .....	31
<i>Power Cord Options</i> .....	31
<i>Warranty</i> .....	32

Registering your Brewer product is easy.

Simply go to [brewercompany.com/warranty-registration](http://brewercompany.com/warranty-registration), fill out the information fields and click submit.

By registering your product today, you are better safeguarding your investment in the future.




**SAFETY INFORMATION**

**Safety Information**

The primary concern of The Brewer Company is that the equipment is operated and maintained with the safety of the patient and healthcare staff in mind. To ensure safe and reliable operation:

- Read and understand all instructions in this manual before attempting to install or operate the unit.
- Ensure that appropriate personnel are informed on the manual contents. This is the responsibility of the purchaser.
- Ensure that this manual is located near the table, or if possible permanently affixed to the table.

**Symbols**

	<b>Yellow triangle with black border and black symbol warns of a hazardous situation.</b>
	<b>Blue circle with white symbol requires mandatory action to avoid causing a hazardous situation.</b>
	<b>Red ring with diagonal bar and black symbol prohibits an action that may cause a hazardous situation.</b>

**Definitions**

- **WARNING** indicates a hazardous situation which, if not avoided, could result in death or serious injury.
- **CAUTION** indicates a hazardous situation which, if not avoided, could result in minor or moderate injury.
- **NOTICE** indicates a situation not related to physical injury which, if not avoided, could result in equipment or property damage.



Refer to manual



Connect to ground (earth)



Disconnect from electrical outlet



Manufacturer



Date of Manufacture



Type B Applied Part



Shock hazard



Fall hazard



Explosion hazard



Fire hazard



Pinch hazard



Trip hazard



Backrest Lowering Hazard



Automatic Startup



Do not push



Do not sit



Do not step

**IMPORTANT INFORMATION****General**

Read and understand all operating instructions, safety information, and maintenance requirements contained in this manual prior to operating the table. Become familiar with all of the table functions before using it with a patient.

The Brewer Access High-Low Exam Table (Model 6000 Series) and Access High-Low PLUS Exam Table (Model 6000PLUS Series) are designed to provide positioning and support of patients during general examinations conducted by qualified medical professionals.

The Brewer Access High-Low and High-Low PLUS Exam Tables are primarily used in examination rooms for general examinations and minor procedures. The wide variety of positions provided by the one or two powered motions, and slide-out leg support create safe and convenient patient positioning tables for use in the doctor's office.

Both tables are easily adjusted to a wide variety of positions using the convenient foot control provided with the tables. The table height can be adjusted from 18" to 37". The table seating surface on models 6001, 6501, 6801, 6001PLUS, 6501PLUS, and 6801PLUS can be moved from the normal horizontal position to an angle of 5°. The backrest can be adjusted from a flat lying down position, to an 80° angle for seating.

The Brewer Access High-Low PLUS Exam Tables may have the SafeGlide™ Mobility Option. This allows medical professionals to move the table around the examination room more easily.

In addition to the controlled positions noted above, several manual adjustments are available:

- The SafeGlide leg support can be extended up to 18" for the patient prone position.
- Stirrups may be manually extended through infinite positions and four lateral positions.
- A removable treatment pan is built-in underneath the leg extension pad for use during examinations.
- Patient assist handles attached to each side of the table may be rotated out of position or removed for improved access to the patient.
- A pass-through work surface, stored under the seat, may be pulled out from either side of the table.
- Storage drawers at the front and side of the table may be used for supplies. The pass through side drawers may be pulled out from either side of the table.
- A storage cover at the rear of the table can be lifted to store paper rolls.

**IMPORTANT INFORMATION (CONTINUED)**

**Service**

If you require assistance with the installation or operation of your Brewer Table, call the Brewer Customer Experience Department at **(1-800-558-8777)**. Our trained staff will attempt to assist you in correcting the problem directly over the phone. If service is required, a factory authorized technician may be sent to your location.

Please fill in the following information for use when calling The Brewer Company or your distributor with questions regarding your unit. See Figure 1 for model and UDI number location.

Date of Purchase \_\_\_\_\_

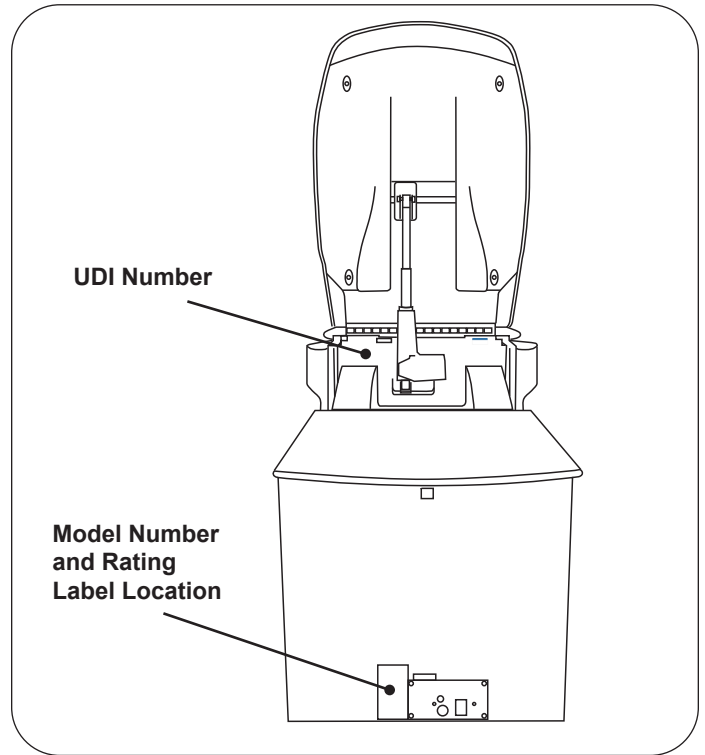
UDI Number \_\_\_\_\_

Model Number \_\_\_\_\_

Authorized Dealer Name \_\_\_\_\_

Dealer Phone Number \_\_\_\_\_

Dealer Address \_\_\_\_\_



**Figure 1. Model Number, UDI Number and Rating Label Locations**

**COMPONENT IDENTIFICATION**

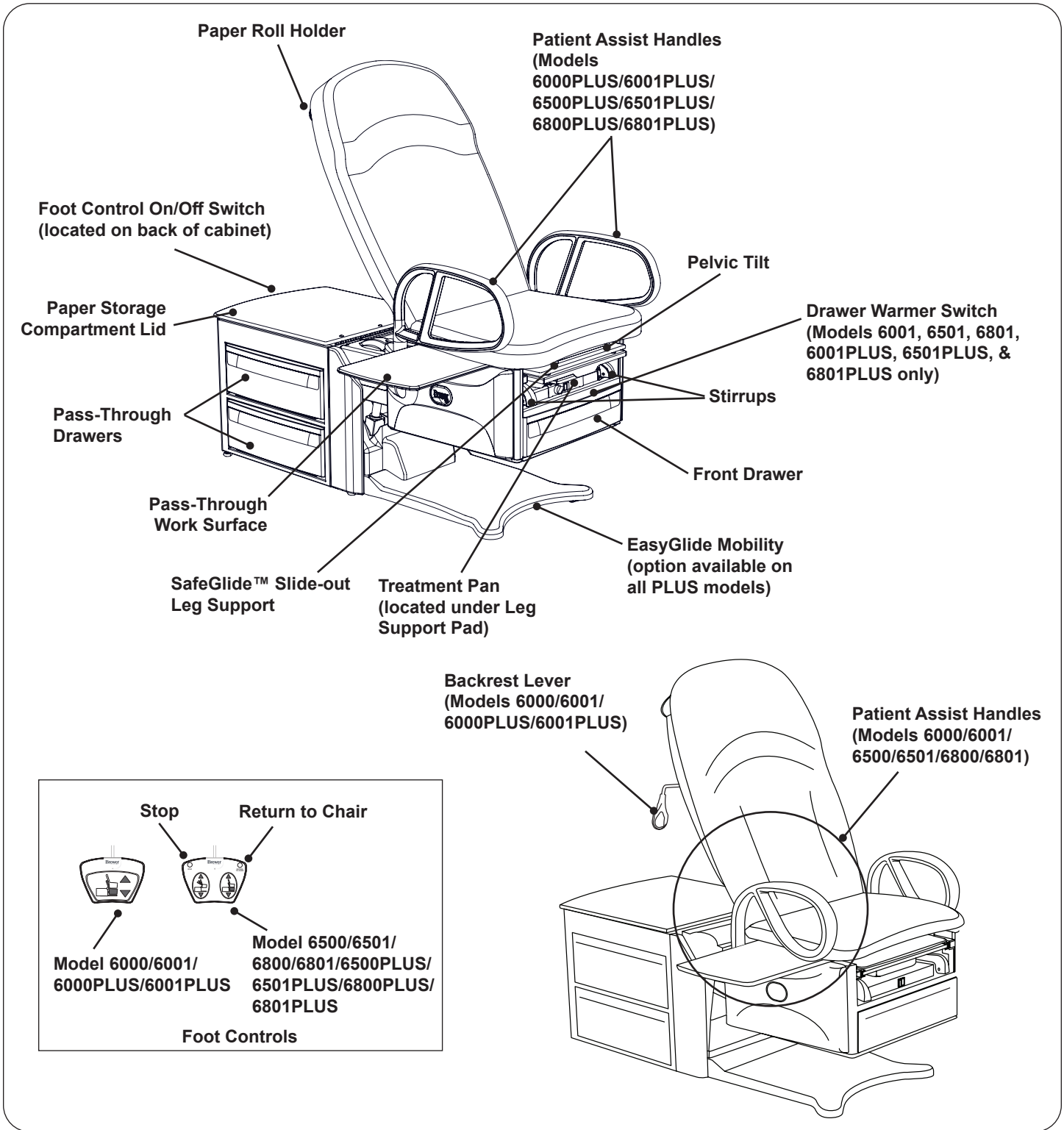


Figure 2. Component Overview

**SPECIFICATIONS**

**Weight of Table**

- Models 6000, 6001, 6500 & 6501 .....395 lbs
- Model 6800 .....423 lbs
- Model 6801 .....432 lbs
- Models 6000PLUS/6001PLUS/  
6500PLUS/6501PLUS .....410 lbs
- Model 6800PLUS .....438 lbs
- Model 6801PLUS .....447 lbs

**Load Rating (maximum)**

- Seat/Back 6800/6801/6800PLUS/6801PLUS .... 700 lbs.
- Seat/Back 6000/6001/6500/6501/  
6000PLUS/6001PLUS/6500PLUS/6501PLUS...450 lbs.
- Leg Support.....50 lbs.
- Pass-Through Work Surface ..... 15 lbs.
- Patient Assist Handles ..... 100 lbs.

**Back Section Range** ..... 0° (horizontal) to 80° ± 5°

**Table Top Height Range** ..... 18 ± 0.5 in. to 37 ± 1.0 in.

**Pelvic Tilt Range**

- Models 6001/6501/6801/6001PLUS/6501PLUS/  
6801PLUS Only ..... 0° (horizontal) to 6° (up)

**Upholstery Dimensions**

- Upholstered Top .....28 in. wide x 60 in. long
- Upholstered Leg Support ..... 18 in. long x 18 in. wide
- Overall Length.....60 in. long
- With Leg Support Extended .....78 in. long

**Electrical Requirements**

- **6000/6500/6800/6000PLUS/6500PLUS/6800PLUS models:** 115 VAC nominal, 60 HZ, 6.0 amps max.
- **6001/6001PLUS models:** 115 VAC nominal, 60 HZ, 6.0 amps max.
- **6001/6501/6801/6001PLUS/6501PLUS/6801PLUS w/Outlet models:** 115 VAC nominal, 60 HZ, 6.0 amps max.
- **6000-230/6500-230/6800-230 models:** 230 VAC nominal, 60/50 HZ, 3.0 amps max.
- Outlet Max Load ..... 2.0 Amp

**Fuse Rating**

- Option/Warmer Fuse Rating.....250V/1.0 Amp
- Option/Warmer & Outlet Fuse Rating.....250V/3.0 Amp

**Duty Cycle (10%)**

.....2 minutes on/18 minutes off (motor run time)

**Power Cord**

- Length ..... Extends 70 in. minimum from table
- Type (6000/6500/6800/6000PLUS/  
6500PLUS/6800PLUS) ..... Attached
- Type (6001/6501/6801/6001PLUS/  
6501PLUS/6801PLUS, 6000-230, 6500-230,  
6800-230)..... Detachable
- Conductors .....18 AWG/3 Conductor
- Grade ..... Hospital Grade Plug

**Type of protection against electrical shock**

- Model 6000/6500/6800/6000PLUS/  
6500PLUS/6800PLUS ..... Class 2 Double Insulated
- Models 6001/6501/6801/6001PLUS/  
6501PLUS/6801PLUS ..... Class 1 Grounded
- Models 6000-230, 6500-230, and  
6800-230 ..... Class 2 Double Insulated
- Patient applied parts (all models)..... Type B

**Type of protection against ingress**

**of water** ..... Foot Control IPX1

**Paper Roll Sizes**

- Regular ..... 18 in. x 3.5 in.
- Long ..... 21 in. x 3.5 in.

**Certifications\*** .... UL60601-1; CAN-CSA C22.2 No. 601.1

**Operating Conditions**

- Temperature Range ..... 41°F to 104°F
- Humidity Range..... 10% to 80%

**Transportation and Storage**

- Temperature Range ..... 14°F to 122°F
- Humidity Range..... 10% to 80%



\*Classified in the United States and Canada per the standards listed above.

230V models have not been evaluated

**SPECIFICATIONS (CONTINUED)**



**WARNING: Explosion/Fire Hazard**

Do not use this table in an explosive or oxygen rich atmosphere. Doing so may result in serious personal injury or death.



**WARNING: Shock Hazard**

When performing cauterization or similar treatment, the patient must be insulated from the metal portions of the table by non-conductive material. Failure to do so may result in electrical shock.

**NOTICE: CERTIFICATIONS**

This product has been evaluated with respect to electrical shock, fire, and mechanical hazards only in accordance with UL60601-1; CAN/CSA C22.2 No. 601.1

**NOTICE: Electromagnetic Interference (EMI)**

This product is designed and built to minimize electromagnetic interference with other devices; however, if interference is noticed between another device and this product, remove the interfering device from the room or plug this product into an isolated circuit.

**INSTALLATION**

**NOTICE: Inspect Carton and Contents**  
Inspect all boxes and contents for damage. Report any damage to the carrier immediately.

**NOTICE: No Sharp Tools**  
To avoid damaging the table's upholstery or painted surfaces, DO NOT use a knife or other sharp object to open the packaging.

**Overview**

Perform the following sequence, in order, when setting up the table:

- Uncrating the Table
- Leveling the Table
- Installing Foot Control
- Installing Power Cord
- Installing Patient Assist Handles

**NOTICE: Optimum Table Performance**  
For optimum table performance, allow the table to reach room temperature before operating.

**Uncrating**

**Tools Required**

- Drill Driver
- 7/16" socket bit, or 7/16" wrench
- #2 Phillips bit
- Side Cutter
- Furniture Dolly

**Hardware Required**

- None

**Instruction**

1. Pull carton from staples all around the bottom of the container where it is attached to the pallet. Use pliers to remove any staples that are still in the carton.

**CAUTION**  
Damage may occur if staples are left in the carton.



*Figure 3. Carton Removal*

2. Carton is easiest to remove by lifting on end of carton with "Do Not Lift" imprint.

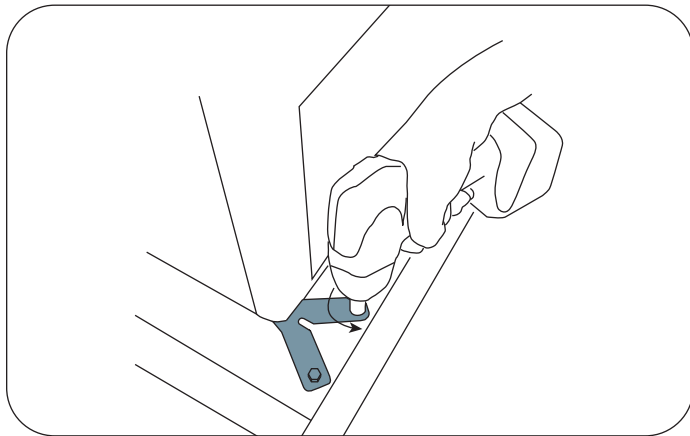
*NOTE: Your table will have protective stretch wrap and microfoam.*

**CAUTION**  
Do not plug power into table prior to removal of all packaging materials.

**INSTALLATION (CONTINUED)**

3. Remove stretch wrap surrounding table.
4. Remove the 4-6 steel shipping brackets securing the table to the pallet (Figure 4). The brackets hook onto the table levelers to hold the table securely to the pallet. Remove the 2 bolts from each bracket using a 7/16" socket or wrench. Take care not to scratch the unit when using the driver or turning the wrench. Remove brackets from levelers once bolts are removed.

*NOTE: Verify all brackets are removed. Failure to remove a shipping bracket may cause damage to the facility flooring.*



**Figure 4. Remove Shipping Brackets**

5. On the HLT PLUS tables, remove the two bolts and metal bracket holding the table frame to the pallet (Figure 5).

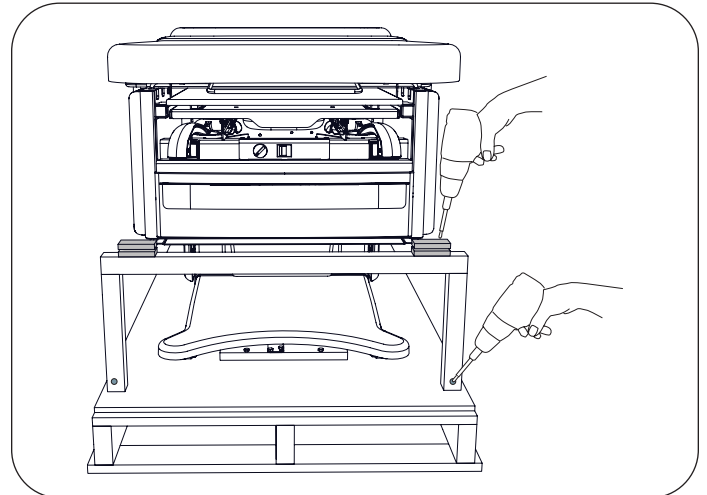
**NOTICE**

Not following uncrating procedure could cause damage to mobility option components and nearby property.



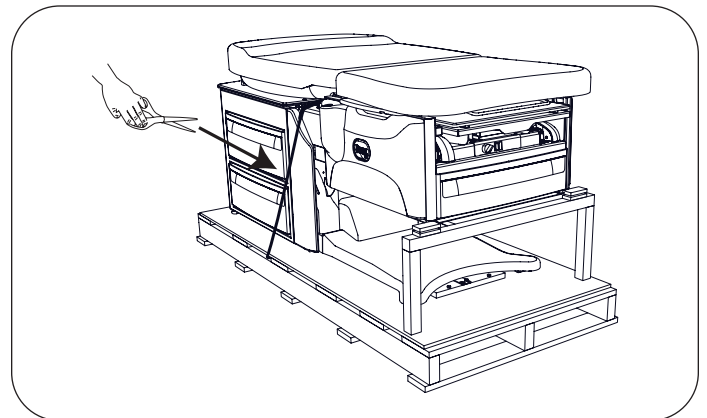
**Figure 5. HLT PLUS Bracket**

6. Remove the 2 screws attaching the spacers on either side of the wooden U-shaped brace located under the front corners of the cabinet (Figure 6). Remove the 2 screws attaching the U-shaped brace to the pallet (Figure 6).



**Figure 6. Remove Spacer and U-Brace Screws**

7. Cut the shipping strap, and discard strap and foam tube (Figure 7).



**Figure 7. Cut Shipping Strap**

**INSTALLATION (CONTINUED)**

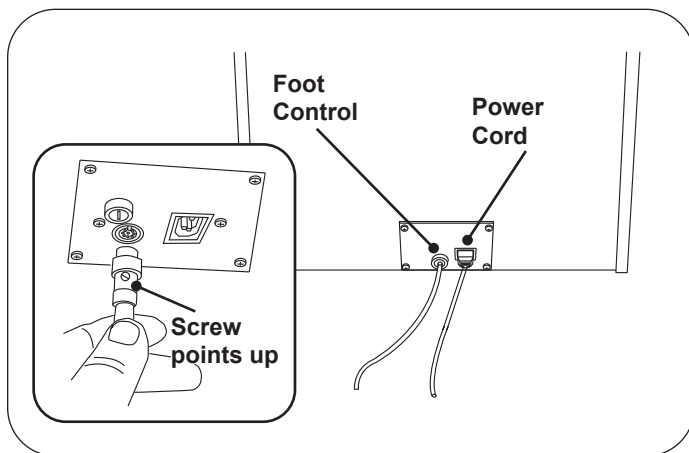
- Make sure all shipping materials (except for wooden brace and spacers) and packing foam are removed from the table, pallet and surrounding area.

*NOTE: In order to remove the table from the pallet, you must first power it up and elevate the seat from it's shipping position.*

**NOTICE: Avoid Self Activation Damage**

Plugging table into receptacle prior to the removal of all packaging materials, may cause damage if self activation occurs.

- Remove the foot control from the rear drawer.
- Insert the foot control cord into the receptacle at the bottom of the rear panel (Figure 8). Make sure the pins are properly oriented and the plug is fully seated. Turn the locking ring clockwise to secure the plug to the table.



**Figure 8. Power Cord and Foot Control Plug-ins**

*NOTE: Some models may not have a detachable power cord.*

- For models 6001, 6501, 6801, 6501PLUS, 6801PLUS, 6000-230, 6500-230, and 6800-230, remove the power cord from the rear drawer. Models 6000, 6500, 6800, 6000PLUS, 6500PLUS, and 6800PLUS have the power cord already installed.

**NOTICE: Confirm Voltage and Plug Type**  
See Specifications page for electrical rating of this unit.



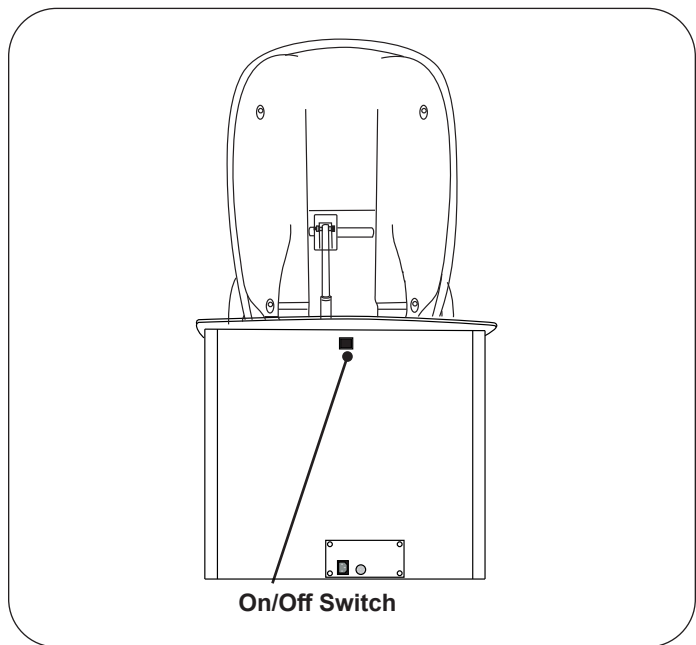
**CAUTION: Use Grounding Plug**

To avoid risk of electric shock, connect this equipment to a supply mains with protective earth. Plug the grounding plug on the table power cord into a matching grounded, non-isolated, correctly polarized receptacle.

- Plug the female end of the power cord into the receptacle at the bottom of the rear panel (Figure 8). Plug the male end of the power cord into a 115 Volt or 230 Volt grounded receptacle, depending on your configuration. Make sure the black Foot Control On/Off Switch at the back of the table is on (Figure 9).

**WARNING: Area Not Clear Hazard**

Before initiating movement keep personnel and equipment clear of table to avoid personal injury or damage to the equipment.



**Figure 9. Foot Control On/Off Switch**



**CAUTION**

Do not use an extension cord on the accessory receptacle.

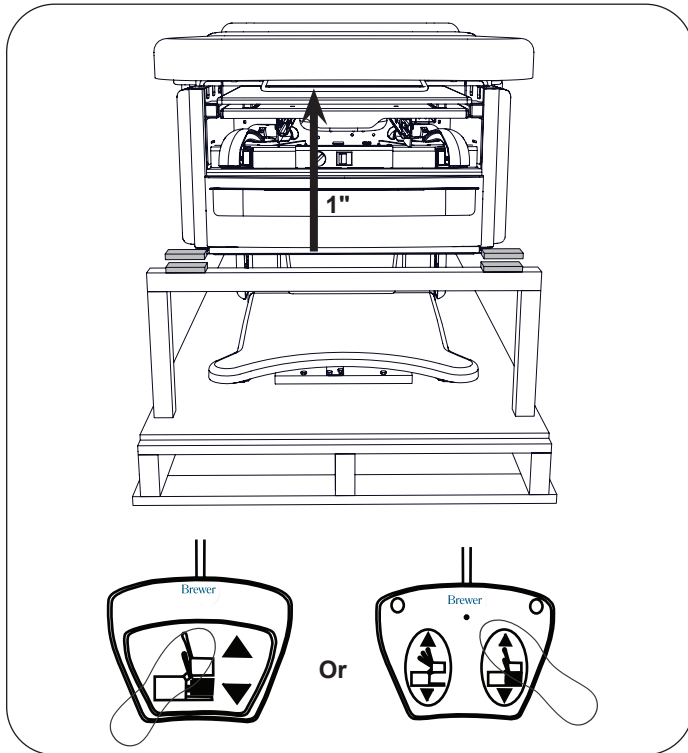


**CAUTION**

Only connect items compatible to the exam table to the accessory receptacle.

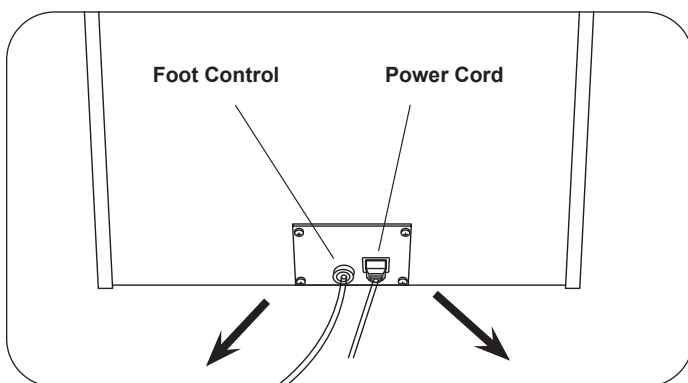
**INSTALLATION (CONTINUED)**

- Press "Lift Up" on the foot control to raise the seat approximately 1" (Figure 10).



**Figure 10. Raise Seat off of Base**

- Remove the wooden U-brace and shipping spacers at the front of the table.
- Unplug foot control and power cord and place into rear storage drawer (Figure 11). The power cord for Models 6000/6500/6800/6000PLUS/6500PLUS, and 6800PLUS are attached to the table. You may want to place the receptacle end of the cord into the rear storage drawer to prevent damaging it while transporting the table.



**Figure 11. Power Cord and Foot Control Plugs**

**NOTICE: Avoid Pelvic Tilt and Upholstery Damage**

Do not lift or move table by pulling up on the seat upholstery (Figure 12). Lifting by the seat will damage the pelvic tilt mechanism (if equipped) and may damage the upholstery.



**Figure 12. DO NOT Lift by Upholstery**

**NOTICE: Avoid Backrest Actuator and Upholstery Damage**

Never push forward on the backrest to move table. Pushing on the backrest will cause backrest actuator damage and may cause upholstery damage (Figure 13).

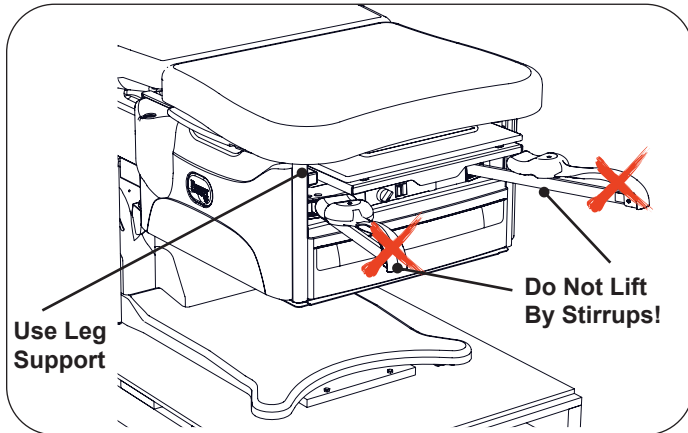


**Figure 13. DO NOT Push on Backrest**

**INSTALLATION (CONTINUED)**

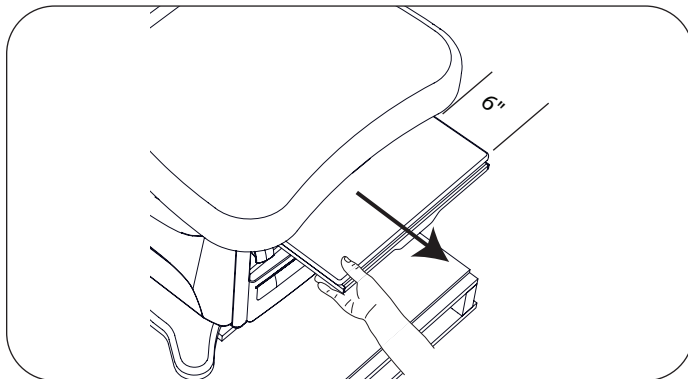
**NOTICE: Avoid Stirrup Damage**

Do not lift or move table by using the stirrups as a hand hold. Lifting or moving table by stirrups can damage the internal indexer housing (Figure 14).



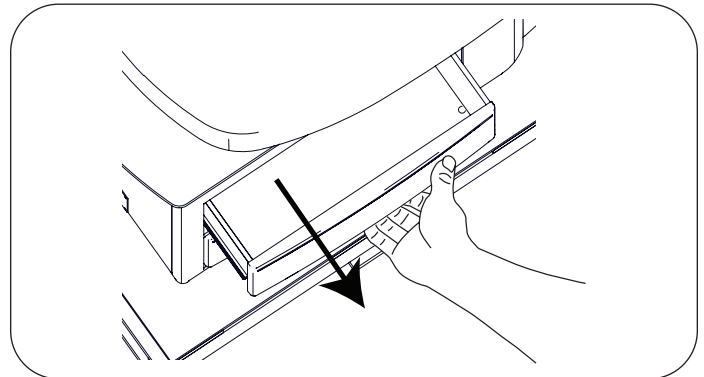
**Figure 14. DO NOT Lift by Stirrups**

16. Prepare the front of the table for lifting by pulling out leg support approximately 6" (Figure 15). DO NOT fully extend leg support as damage to the slide mechanism may occur.



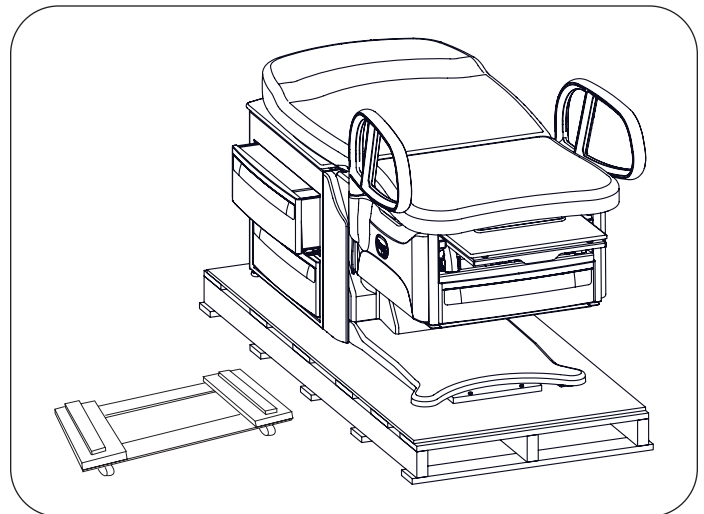
**Figure 15. Leg Support Pulled Out 6"**

17. Prepare the rear of table for lifting by pulling top rear pass-through drawer to one side (Figure 16).



**Figure 16. Pull Top Rear Pass-through Drawer Open**

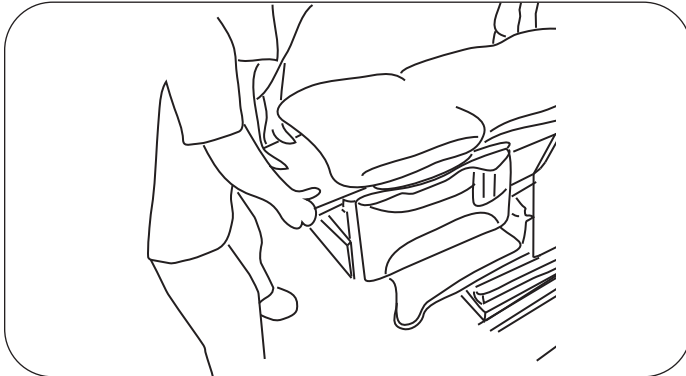
18. Position furniture dolly close and perpendicular to pallet for transfer of table (Figure 17).



**Figure 17. Furniture Dolly Ready for Table**

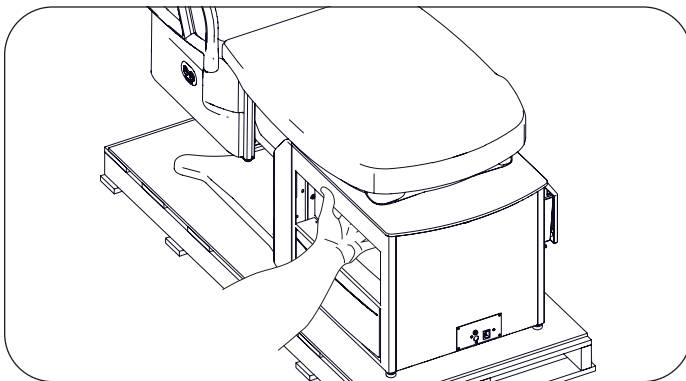
**INSTALLATION (CONTINUED)**

19. Position personnel at the front and rear of the table. Front lifting points are the left and right sides of the leg support (Figure 18).

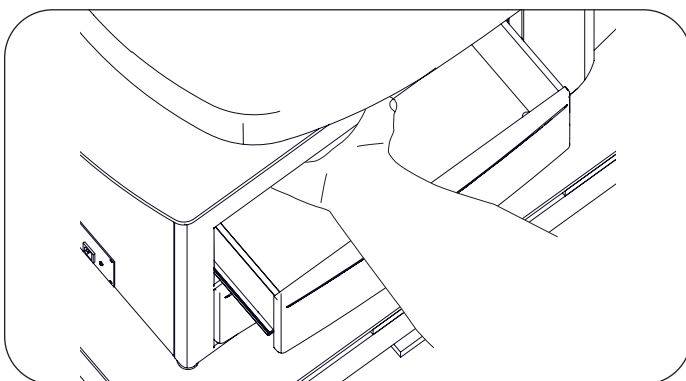


**Figure 18. Front Lift Points**

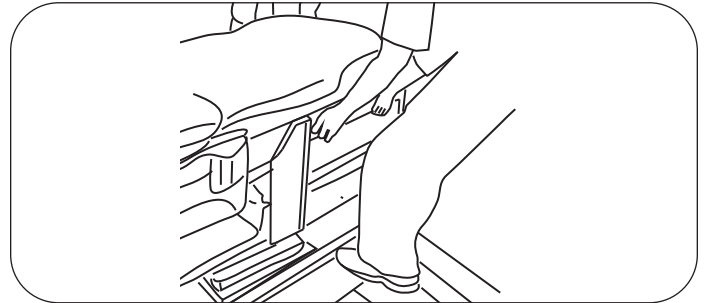
20. Rear lifting points are provided by the top rear pass through drawer openings at the left and right sides (Figure 19, Figure 20, Figure 21).



**Figure 19. Left Rear Hand Hold**



**Figure 20. Right Rear Hand Hold**



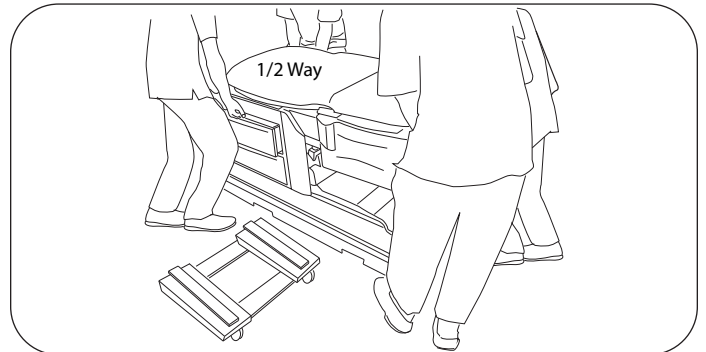
**Figure 21. Rear Lift Points**

**NOTICE**

Table weight up to approximately 447 lbs.

**Transfer of Hi-Low Exam Tables (see below for PLUS Model instructions)**

1. For safety, move table onto furniture dolly in two steps. Lift table straight up, move half-way off of pallet and lower straight down (Figure 22).



**Figure 22. Rear Lift Points**

2. Obtain new footholds and hand holds. Lift table, move to furniture dolly and lower.
3. Move table to its final location. Lift off of furniture dolly and set down into position. Do not push or pull sideways on Leg Support when positioning table (Figure 23).



**Figure 23. Do Not Move by Fully Extended Leg Support**

**INSTALLATION (CONTINUED)**

**Transfer of Hi-Low PLUS Exam Tables**

1. For safety, move table onto furniture dolly in two steps. With four personnel, lift the table straight up and rotate the table 90° to clear the wood block on the shipping pallet. Lower straight down.
2. Slide the furniture dolly under the FRONT of table. Obtain new footholds and hand holds. Lift table, move onto furniture dolly and lower.

*NOTE: The center of gravity for the HLT PLUS table is toward the front of the table. Position table on dolly accordingly to prevent table from tipping on dolly.*

3. Move table to its final location. Lift off of furniture dolly and set down into position. Do not push or pull sideways on fully extended leg support when positioning table (Figure 24).



**Figure 24. Do Not Move by Fully Extended Leg Support**

**Leveling the Table**

**Tools Required**

- None

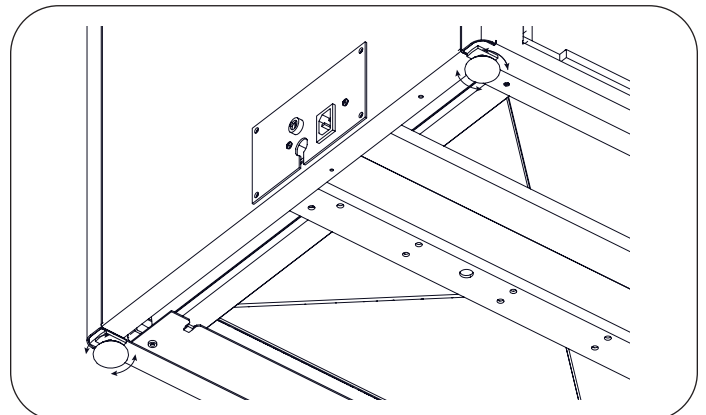
**Hardware Required**

- None

**Instruction**

A leveling screw pad (Figure 25) is located in 4-6 places under the table's base and rear cabinet. Adjust the 4-6 leveling pads to achieve a solid, level installation. This may be easiest to do while the table is on the dolly or while in transition from the pallet to the dolly.

Before using the EasyGlide Mobility Option on PLUS models, ensure that the rear levelers are set to that the mobility option lifts higher than the four rear levelers. do this by activating the mobility option and checking for clearance under the levelers.



**Figure 25. Leveling Screw Pad (located under table)**

**NOTICE: Prevent Leveler Damage**

Levelers must remain in the table and be fully engaged a minimum of (3) turns. If levelers are not fully engaged in the base, damage to the threading in the base and/or leveler can occur.

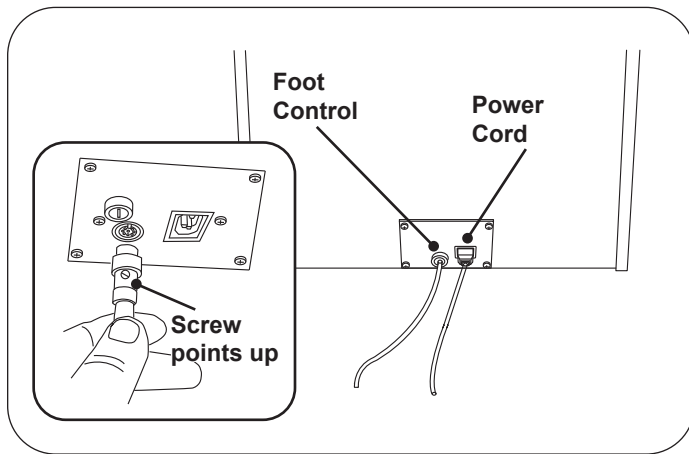
**NOTICE: Prevent Floor Damage and Unwanted Table Movement**

Make sure the caps are present on all (4-6) levelers. Missing caps may cause less than optimal movement of the table or damage to the facility flooring.

**INSTALLATION (CONTINUED)**

**Installing the Power Cord  
(Models 6001, 6501, 6801, 6001PLUS,  
6501PLUS, and 6801PLUS)**

1. Remove the power cord from the rear drawer and remove packaging.
2. Insert the female plug end of the power cord into the receptacle on the table (Figure 26). Make sure the plug is fully seated.



**Figure 26. Power Cord and Foot Control Plug-ins**

**NOTE:** The power cord is installed at the factory on models 6000, 6500, 6800, 6000PLUS, 6500PLUS, and 6800PLUS.

**NOTICE: Confirm Voltage and Plug Type**

See Specifications Page for electrical rating of this unit. The three-pronged grounding plug on the table power cord must be plugged into a matching three-pronged, grounded, non-isolated, correctly polarized 115 VAC or 230 VAC receptacle.

**Installing the Foot Control**

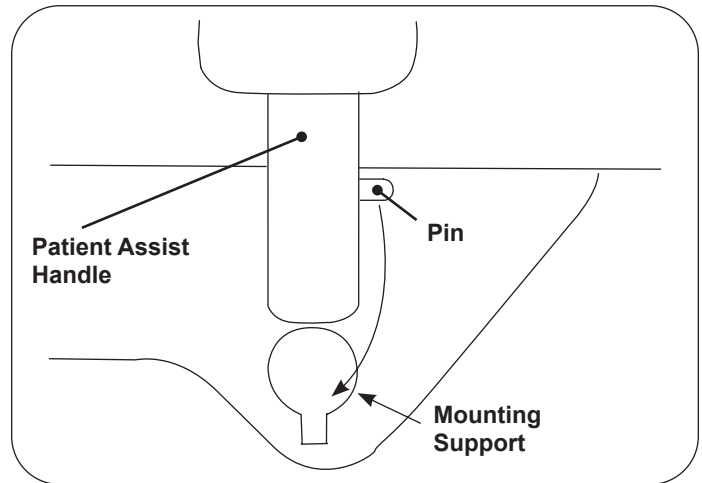
1. Insert the male plug of the foot control cord into the receptacle on the table (Figure 26). Make sure the pins are properly oriented and the plug is fully seated.
2. Turn the locking ring clockwise to secure the plug to the table.

**NOTICE: Avoid Foot Control Damage**

The foot control is moisture resistant and runs on low voltage, eliminating shock hazards. However, to avoid temporary or permanent damage to the foot control, do not immerse in water or liquids.

**Installing Patient Assist Handles**

1. Remove Patient Assist Handles from drawer and remove packaging.
2. Install Patient Assist Handles on either side as they are interchangeable.
3. Align pin on Patient Assist Handle shaft with mating slot on side of table. See Figure 27.



**Figure 27. Patient Assist Handle**

4. Push Patient Assist Handle all the way down and rotate to front of table.
5. Push Patient Assist Handle down until it engages to prevent left or right movement.



**WARNING: Shock Hazard**

After installing or moving table, make sure there are no damaged or exposed wires that could result in electrical shock.

**NOTE:** All power cords should be supplied by The Brewer Company.

**OPERATION**

**Before Use**

	<p><b>CAUTION: Read this Manual</b> Read this manual before use of the Brewer Access High-Low or High-Low PLUS Examination Table.</p>
--	---

	<p><b>WARNING: Explosion/Fire Hazard</b> Do not use this table in an explosive or oxygen rich atmosphere. Doing so may result in serious personal injury or death.</p>
--	--

	<p><b>WARNING: Shock Hazard</b> When performing cauterization or similar treatment, the patient must be insulated from the metal portions of the table by non-conductive material. Failure to do so may result in electrical shock.</p>
--	---

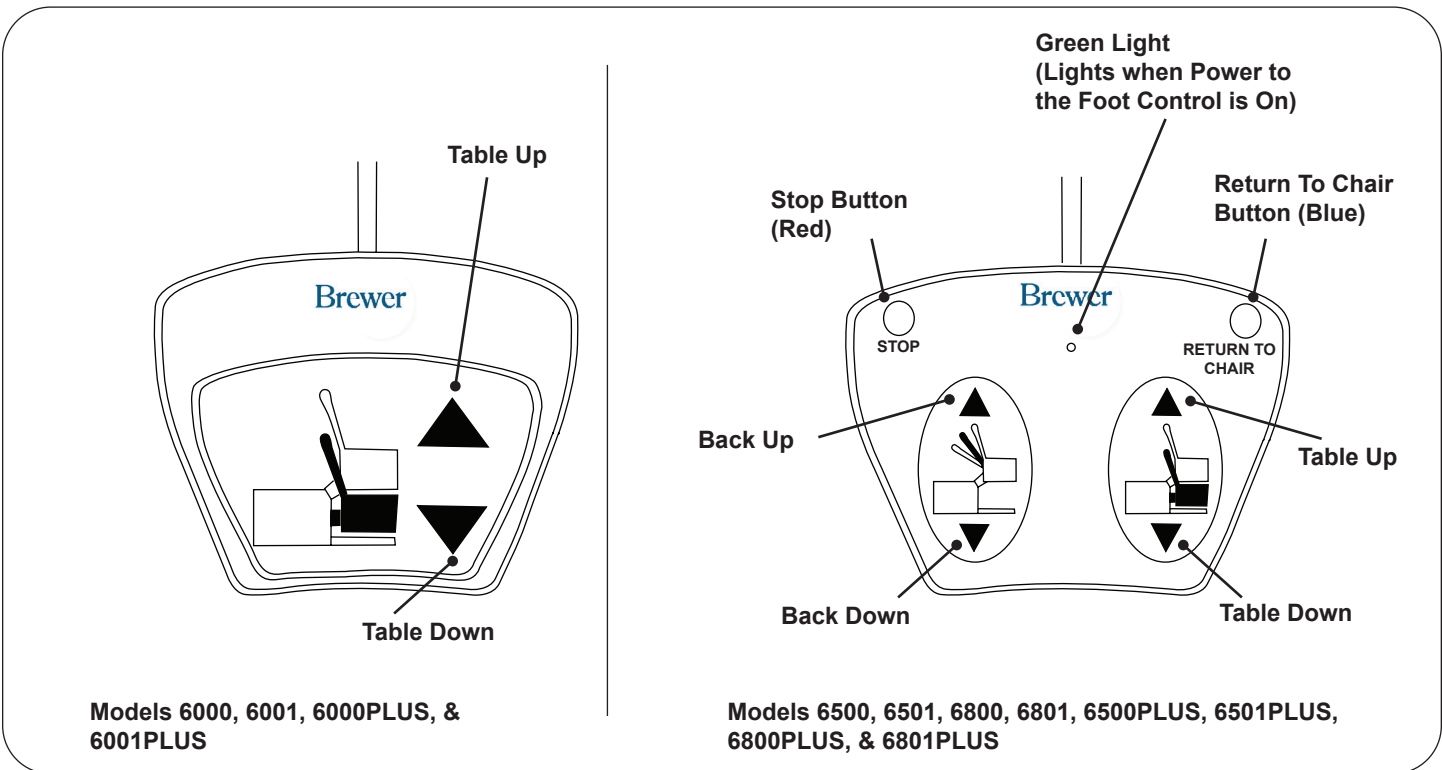


Figure 28. Foot Controls

**OPERATION (CONTINUED)**

**Models 6000, 6001, 6000PLUS, & 6001PLUS**

Models 6000, 6001, 6000PLUS, & 6001PLUS are equipped with a single pedal foot control that raises and lowers the seat.

**Models 6500, 6501, 6800, 6801, 6500PLUS, 6501PLUS, 6800PLUS, & 6801PLUS**

Models 6500, 6501, 6800, 6801, 6500PLUS, 6501PLUS, 6800PLUS, & 6801PLUS are equipped with a dual pedal foot control that controls the raising/lowering of the seat, and raising/lowering of the seat back. In addition, the foot control features the following:

- **Return to Chair:** When pressed, the table automatically returns to the low chair position. The seat back will rise to the full up position and the table will lower to the full down position and stop. To stop the automatic movement, press the Red Stop Button, or depress any pedal on the foot control.
- **Stop:** When pressed, stops the Return to Chair function.
- **Green Light:** Indicates that there is power to the foot control (Foot Control On/Off Switch at back of table is ON).

**NOTICE: Unintended Operation**

To avoid unintended operation, keep foreign objects away from foot control. Be sure foot control is not positioned below the front of the table.

**NOTICE: Models 6500PLUS, 6501PLUS, 6800PLUS, and 6801PLUS**

For optimal operation, do not run Return to Chair feature while engaging or disengaging the EasyGlide mobility option.

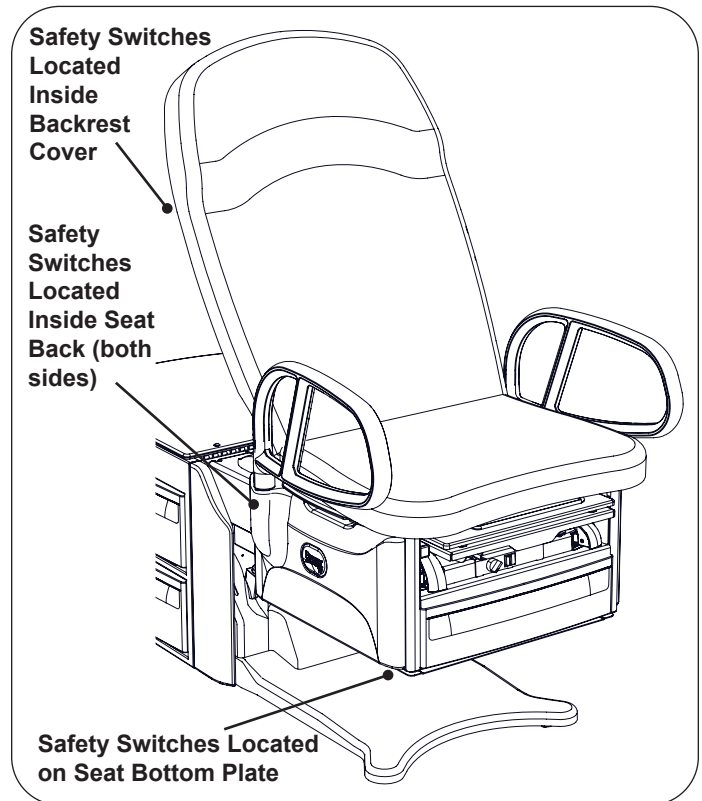
**NOTICE: Unattended Return to Chair Operation**

Remain with and observe patient during Return to Chair operation. Return to Chair feature may need to be momentarily interrupted for patient to readjust themselves or for obstacles to be removed before resuming motion. Press the Return to Chair button to resume motion only when patient has situated themselves or obstacles have been removed.

**Seat and Backrest Safety Switches**

**All Models**

All models are equipped with safety switches. They are located inside the backrest cover, on the seat back, and on the bottom of the chair assembly. Each safety switch automatically stops the lowering function if an obstruction is encountered (Figure 29).



**Figure 29. Seat and Backrest Safety Switches**

**Seat Switch**

All models are equipped with switches on the seat bottom (Figure 29) which automatically stop the lowering function of the seat if the seat bottom plate comes into contact with an object as the seat is lowering. To continue lowering the seat, press the "TABLE UP" pedal (Figure 28), clear the obstruction, and continue lowering the seat.

**OPERATION (CONTINUED)**

**Backrest Switch Powered Backrest**

Models 6500, 6501, 6800, 6801, 6500PLUS, 6501PLUS, 6800PLUS, and 6801PLUS are equipped with safety switches inside the backrest cover which automatically stop the lowering function of the seat and back if an obstruction is encountered. To continue lowering the backrest, press either the "TABLE UP" or "BACK UP" pedal (Figure 28), clear the obstruction, and continue lowering the backrest.

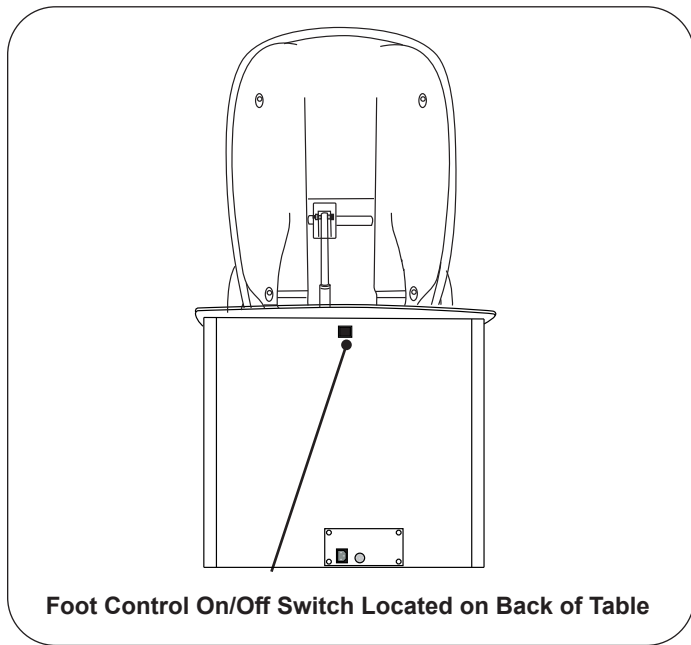
**Manual Backrest**

Models 6000, 6001, 6000PLUS, and 6001PLUS with manual backrest are equipped with safety switches inside the cover backrest which automatically stop the lowering function of the seat if an obstruction is encountered. To continue lowering the seat, press the backrest release handle to raise the backrest (Figure 2), clear the obstruction, and continue lowering the seat.

**Foot Control On/Off Switch**

**All Models**

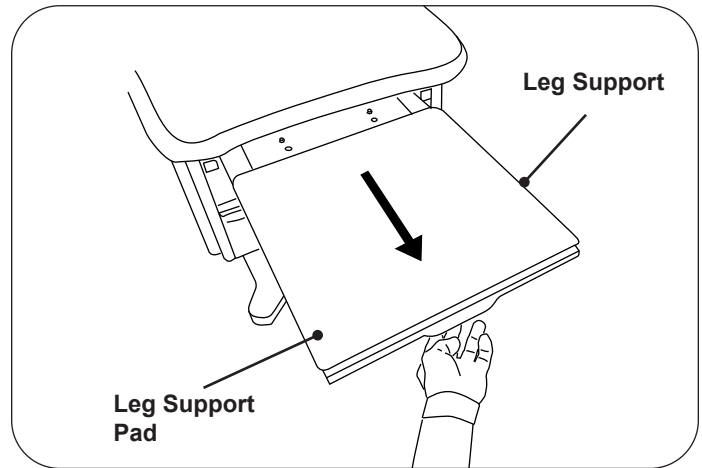
The Foot Control On/Off Switch (located on the back of the rear cabinet [Figure 30]) can be set to the OFF position to disable seat and back movement of the table. Power to the drawer warmer (if so equipped) and other portions of the table will remain on.



*Figure 30. Foot Control On/Off Switch*

**SafeGlide™ Leg Support**

The leg support is located under the seat cushion (Figure 31). It can be extended 18" for the patient prone position. Pull leg support out to the fully extended position. To return the leg support to its stored position push the leg extension in.

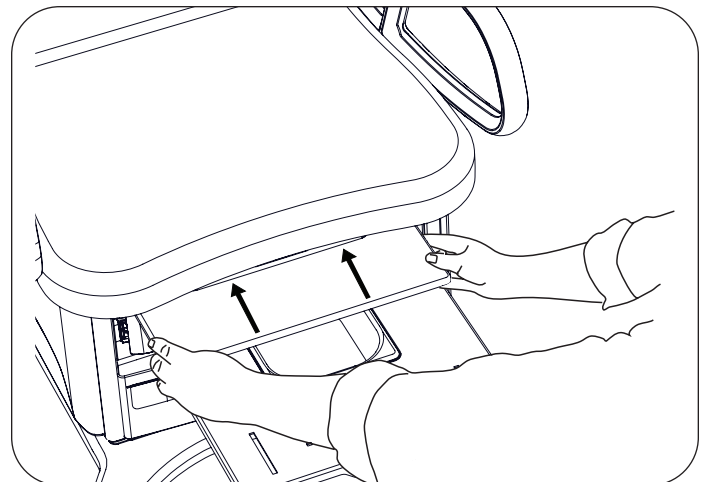


*Figure 31. Leg Support Pull Out*

	<p><b>WARNING: Fall Hazard</b> Do not allow patient to sit on the leg extension portion of the table. Doing so may result in serious personal injury or death.</p>
--	--

**Leg Support Pad**

The leg support pad can be slid beneath the seat with the leg support extended for easy access to the treatment pan (Figure 32). Pushing the leg support back in will allow the glides on the pad to drop into slots. The pad will once again come out with the leg support the next time it is pulled out.

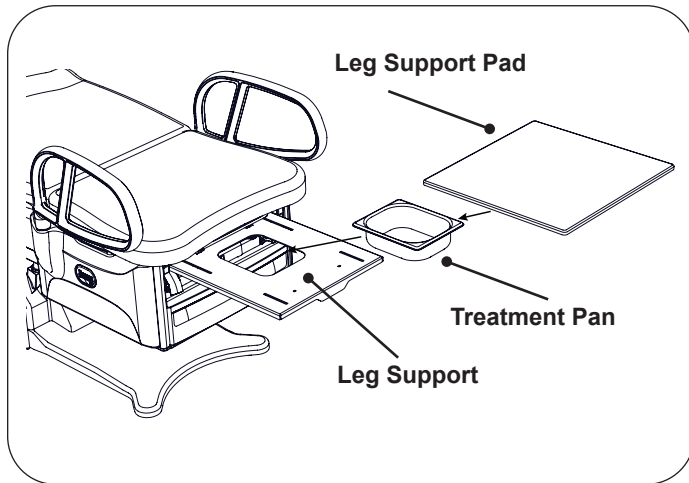


*Figure 32. Slide Foot Pad Back*

**OPERATION (CONTINUED)**

**Treatment Pan**

A removable treatment pan is built-in underneath the leg support pad for use during examination. Pull the leg support fully out and remove the leg support pad or slide it back under the seat to access the pan (Figure 33). Remove the treatment pan for cleaning.

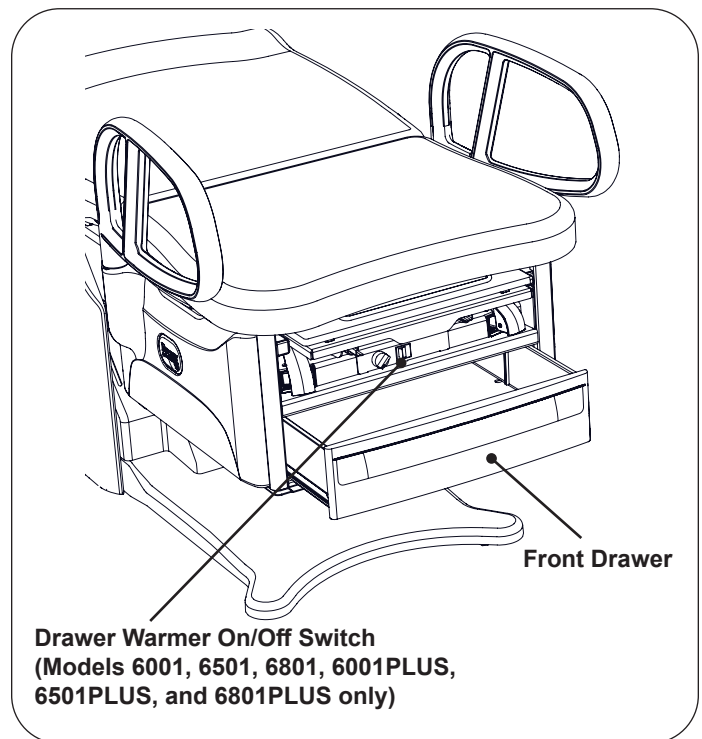


**Figure 33. Treatment Pan**

**Front Drawer**

A storage drawer for supplies is located at the front of the table. Models 6001, 6501, 6801, 6001PLUS, 6501PLUS, and 6801PLUS are equipped with a drawer warmer that is turned on by a switch located above the drawer (Figure 34).

*NOTE: The warmer element is located above the drawer and applies radiant heat to the drawer contents. Items closer to the element will be warmer than items at the bottom of the drawer. Avoid stacking instruments or allowing instruments to tip and contact the element.*

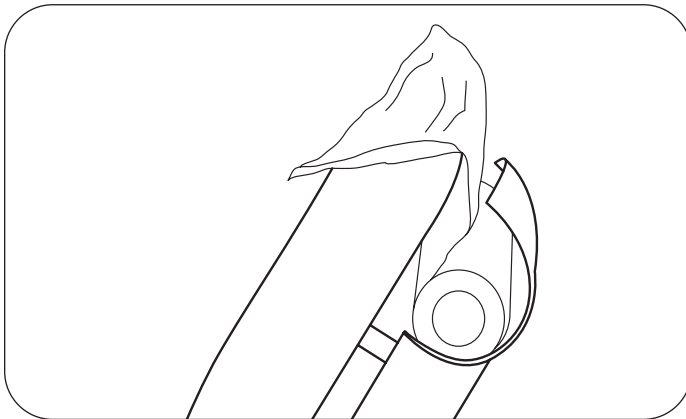


**Figure 34. Drawer Warmer Switch and Front Drawer**

**OPERATION (CONTINUED)**

**Paper Roll Holder**

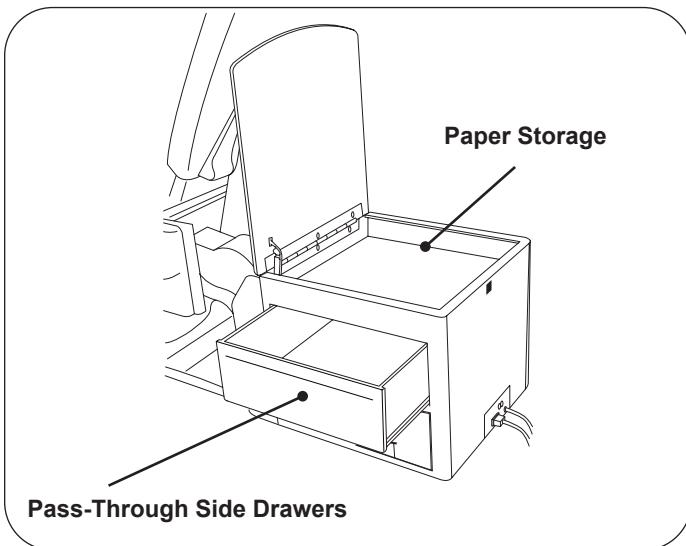
To change a paper roll, place the paper into the holder located on the rear of the seat back (Figure 35). Pull the end of the roll over the top of the seat back and place in the desired position.



**Figure 35. Paper Roll Installation**

**Paper Storage**

With the seat back in the upright position, lift the lid on the rear of the table to access the paper storage compartment (Figure 36).



**Figure 36. Paper Storage and Pass-Through Side Drawers**

**Pass-Through Side Drawers**

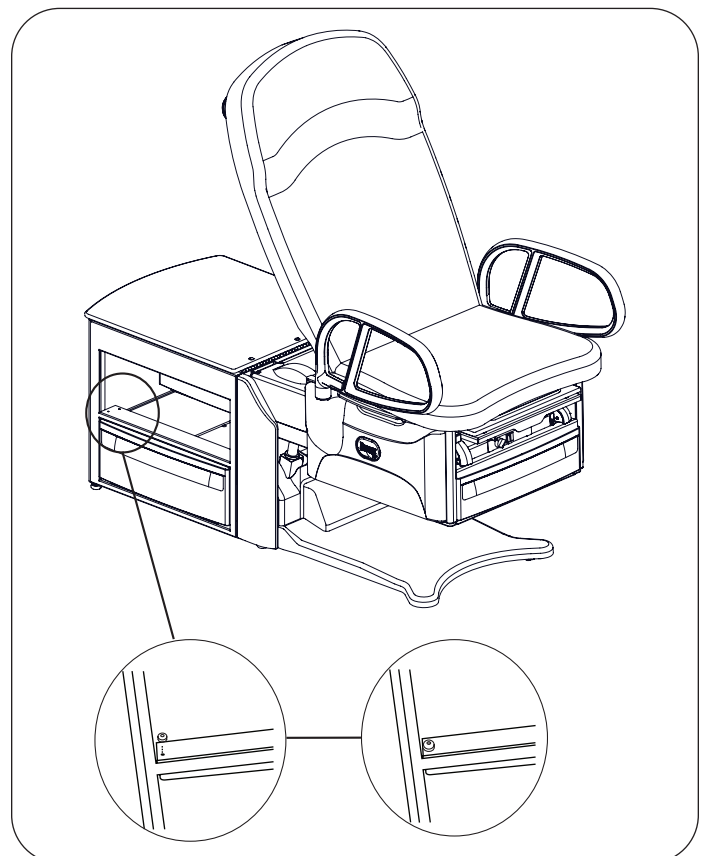
Two storage drawers are built into the table cabinet for supplies (Figure 36). The drawers may be pulled out from either side of the table.

**Installing Drawer Stops**

An optional feature of the Brewer Access High-Low Exam Table allows the rear cabinet side pass-through drawers to only open from one side. To enable this, install a drawer stop for each drawer. Drawer stops are included, loose parts are bagged and located in a rear drawer. Installation of these stops will prevent the use of the drawer on that side. It is up to the user to decide which side, if any, to install said stops.

To install the drawer stops:

1. Pull the drawers out on the side of desired use.
2. On the opposite side of the cabinet, screw in the drawer stop (Figure 37). Please note that only one stop is needed per drawer.
3. Close the pass-through drawers from the side of desired use.



**Figure 37. Drawer Stops**

**OPERATION (CONTINUED)**

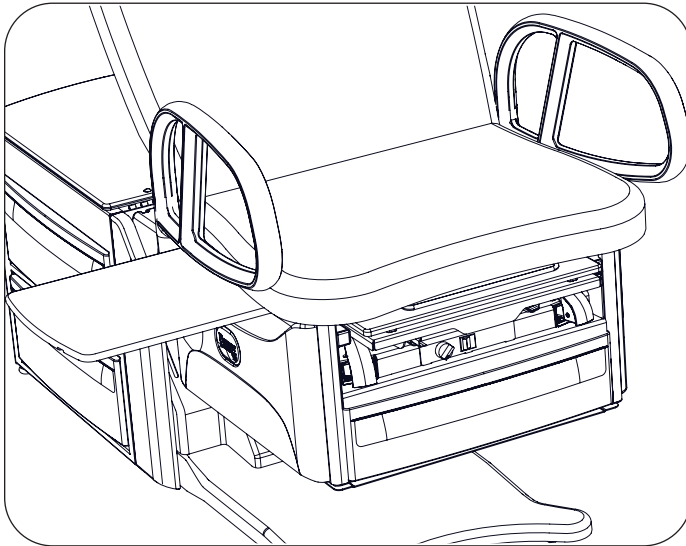
**Pass-Through Work Surface**

A pass-through work surface, stored under the seat (Figure 38), may be pulled out from either side of the table. Grasp the edge of the work surface and pull until it is fully extended. Push it fully in to stow after use.



**WARNING: Fall Hazard**

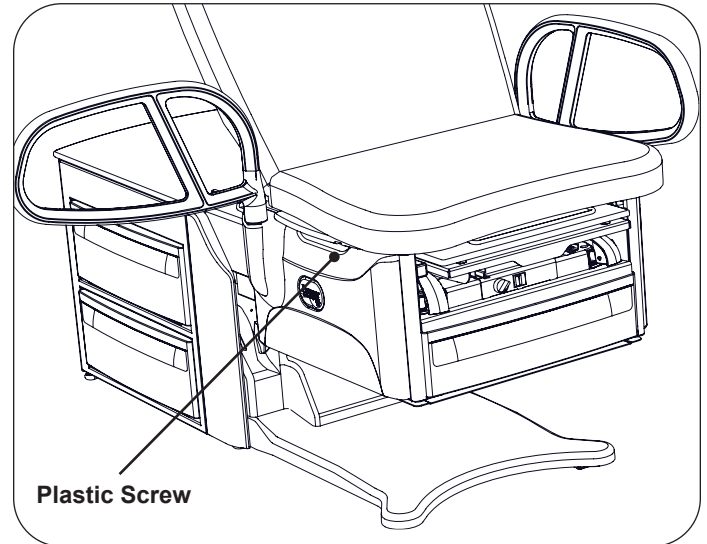
The work surface is rated for 15 lbs. and is not intended for use as a seat. Sitting on work surface could cause it to bend or break or cause the table to tip creating a fall hazard leading to injury or death.



**Figure 38. Pass-Through Work Surface**

**Removing the Work Surface for Cleaning**

1. Push work surface in to reveal a white plastic screw.
2. Remove the white plastic screw (Figure 39).
3. Pull the work surface toward you and remove it.
4. Reinsert screw after replacing work surface.



**Figure 39. Location of White Plastic Stop Screw**

**OPERATION (CONTINUED)**

**Patient Assist Handles**

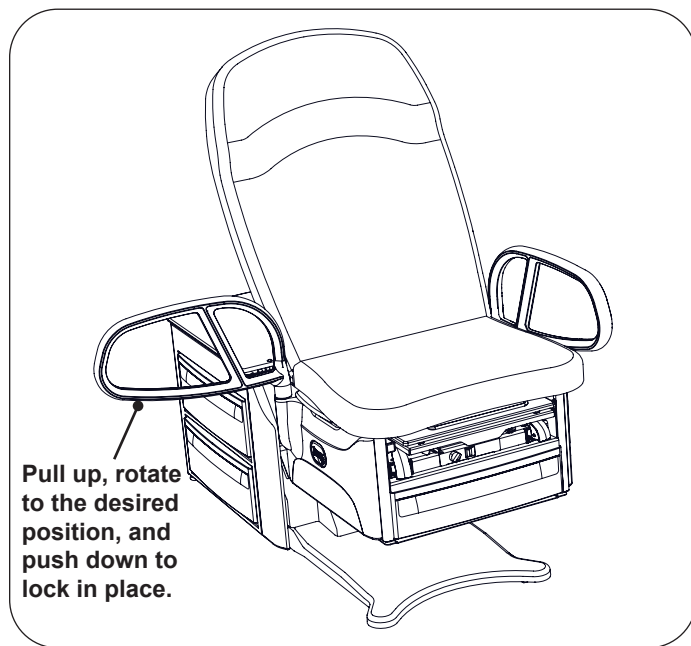
In the forward (normal use) position, the Patient Assist Handles lock into place preventing left or right rotation.

The Patient Assist Handles can be rotated to the side or toward the back of the table for improved access and stability of the patient. Pull up on the Patient Assist Handle and rotate to the desired position. The Patient Assist Handle locks in the front, side and rear positions (Figure 40).

The Patient Assist Handle can be removed from the table by pulling up on the Patient Assist Handle, rotating it to the 90° position, and then lifting it out of its holder.

**NOTICE: Patient Assist Handles Versions**

Some Patient Assist Handles only lock in (2) positions: front and side.



**Figure 40. Patient Assist Handles Adjustment**

**Adjustable Stirrups**

**Operating the Stirrups**

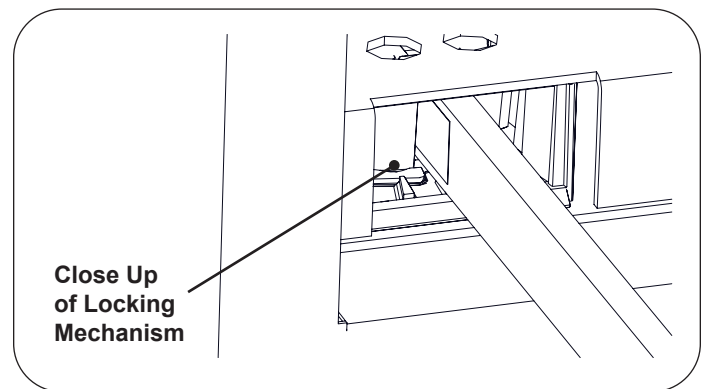
1. To operate the stirrups, grasp end of stirrup and pull straight out of the table (Figure 42). Lift up slightly while sliding the stirrup out.

*NOTE: Applying downward pressure when pulling stirrup from table may make it difficult to move. Resistance is normal and is part of the stirrup friction locking mechanism.*

2. Unfold stirrup upward to the fully open position.
3. Adjust the stirrup to the desired length by sliding it in or out.

**Stirrup Lateral Adjustment**

1. Lift end of stirrup slightly and then pivot outward to desired position.
2. When the desired position is achieved, lower the stirrup to engage the lateral locking mechanism (Figure 41 and Figure 42).
3. Check that lateral locking mechanism is engaged by attempting to move stirrup assembly side-to-side without lifting on the stirrup end.

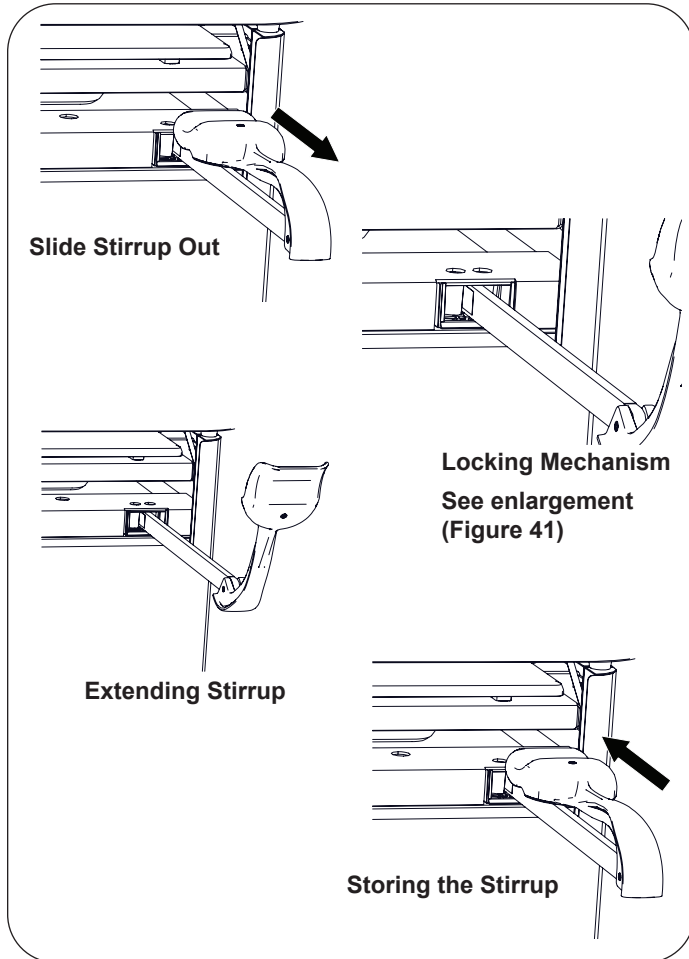


**Figure 41. Stirrup Locking Mechanism**

**OPERATION (CONTINUED)**

**Storing the Stirrups**

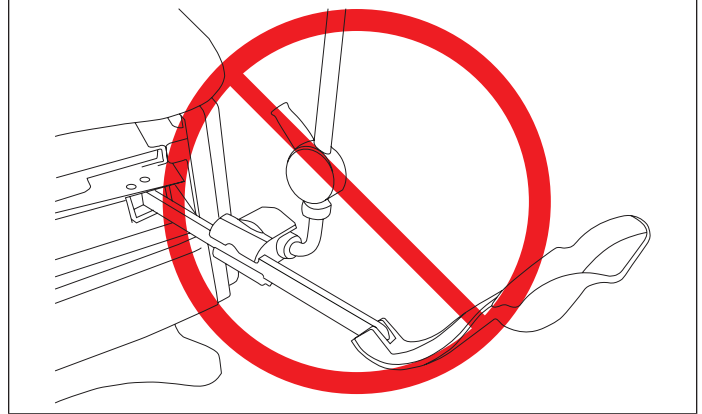
1. To store the stirrups in the table, grasp end of stirrup and pull straight out to its full extension.
2. Fold stirrup down against bar, then pivot it to the inner most lateral position and slide it back into the stowed position.



*Figure 42. Stirrups*

**NOTICE: Use Stirrup Only as Designed**

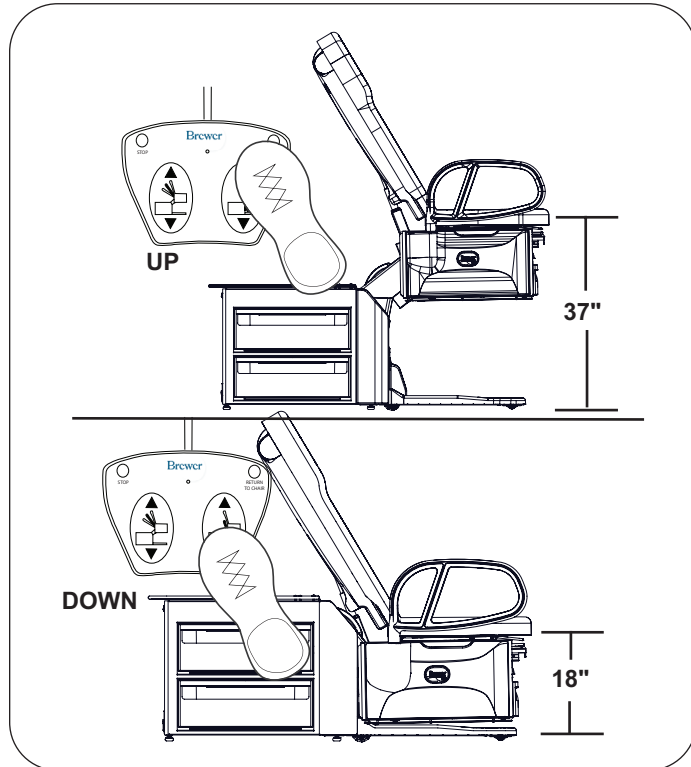
Do not use any part of the stirrup for attachment of any device. Warranty will be voided.



**OPERATION (CONTINUED)**

**Table Height**

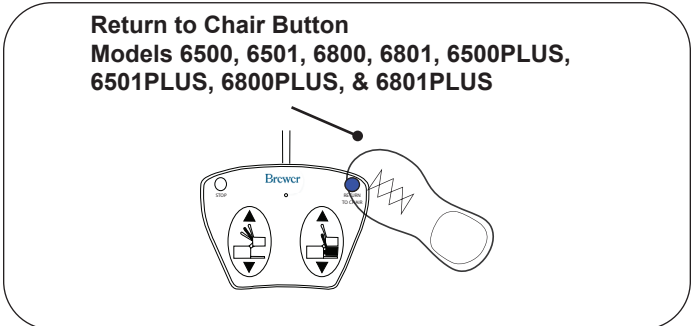
The table can be adjusted to any height between 18" to 37" (Figure 43).



**Figure 43. Table Height Positioning**

1. To raise the table, depress and hold the Table Up pedal until the desired height is achieved, then release the pedal.
2. To lower the table, raise the backrest to the upright position, then depress and hold the Table Down pedal until the desired height is achieved, then release the pedal.
3. Press the blue button to engage the Return to Chair feature (Figure 44).

	<p><b>WARNING: Pinch Hazard</b></p> <p>Keep hands safely away from area between the upholstered table top and the table cabinet when adjusting positions.</p>
---	---



**Figure 44. Lowering with Return to Chair**

<p><b>NOTICE: Actuator Travel Limit Protection</b></p> <p>Each control function will automatically stop moving when either the UP or DOWN travel limit is reached. If the foot pedal is pressed with travel at its limit, the actuator will not operate. Sensors prevent the actuator motor from operating when travel limit has been reached, preventing wear of the actuator.</p>
---

<p><b>NOTICE: Fuse Protected</b></p> <p>The control system is protected by a fuse to prevent excessive current draw which could damage the system. If operation does not resume after a cooling period of one hour, contact Brewer 888-Brewer-1 (888-273-9371).</p>
---

**OPERATION (CONTINUED)**


**Seat Back**

The back can be adjusted to any angle between horizontal and 80°.

**NOTICE: To Lower Backrest Fully**  
Table must be raised to a height of 28" before the backrest can be lowered to the horizontal position (Figure 45).

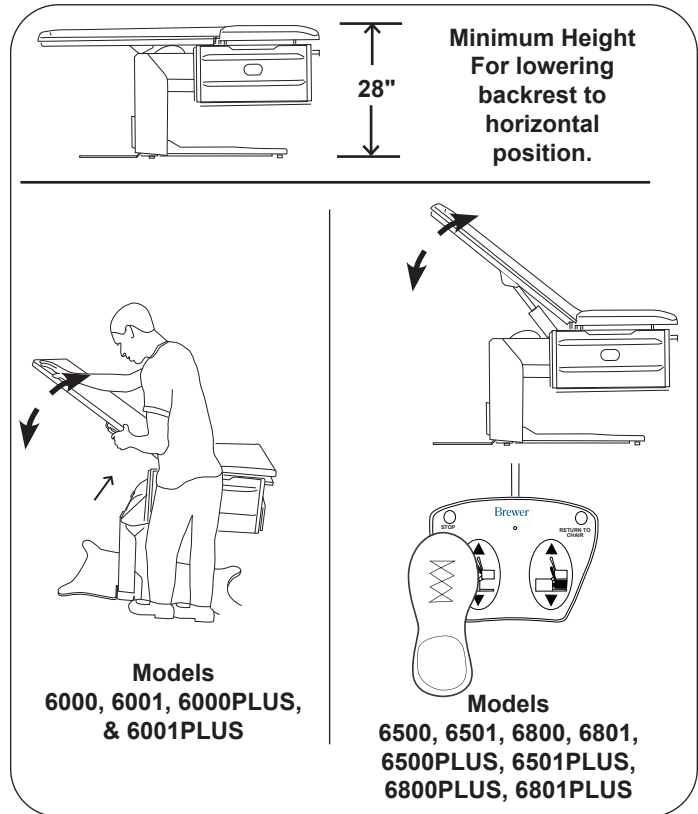
**Pneumatic Manual Backrest (Models 6000, 6001, 6000PLUS, & 6001PLUS)**

1. To lower the seat back, push down on the seat back while pulling the release handle upward.

	<p><b>CAUTION</b> <b>Backrest Lowering Hazard</b></p> <p>Depressing the manual backrest release handle while a patient is seated on the table can cause the backrest to lower rapidly. Lower the backrest in increments by depressing and releasing the handle. Allowing the backrest to lower in a single motion could cause injury to the patient.</p>
---	--

2. To raise the seat back, place hand on the backrest to prevent it from rising rapidly, and then pull the release handle upward. The seat back will lock in the desired position when the handle is released.

*NOTE: The pneumatic backrest cylinder does not exert enough force to raise the backrest with a patient lying on the table.*



**Figure 45. Adjusting Seat Back - actual model may appear different**

**Powered Backrest (Models 6500, 6501, 6800, 6801, 6500PLUS, 6501PLUS, 6800PLUS, & 6801PLUS)**

1. To lower the seat back, depress and hold the Back Down pedal until the desired angle is achieved, then release the pedal.
2. To raise the seat back, depress and hold the Back Up pedal until the desired angle is achieved, then release the pedal.

**NOTICE: Power Back Actuator-Push Only**  
On power back models, the back is positioned by a “push only” actuator that raises the back. When lowered, the actuator retracts and gravity causes the back to lower.

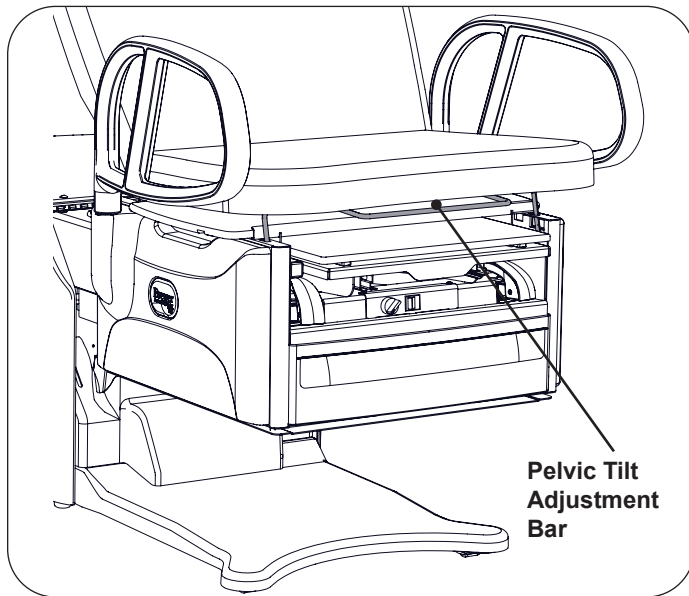
**NOTICE: Avoid Continuous Operation**  
The table’s control system includes a thermal overload safety switch to protect from overheating. If the table is operated continuously causing the control to exceed its allowable operating temperature, the thermal overload safety switch will shut off. If normal operation ceases, do not attempt to operate the table. Allow the table to cool for 10-15 minutes before attempting to use again. The thermal overload switch will automatically reset when it has reached a safe operating temperature.

**OPERATION (CONTINUED)**

**Manual Pelvic Tilt  
(Models 6001, 6501, 6801, 6001PLUS,  
6501PLUS, and 6801PLUS)**

The manual pelvic tilt feature sets the seat angle at 0° (horizontal) or 6° (up) position.

Pull up on the front of the seat and the pelvic tilt automatically travels to the locked tilt position (Figure 46).



**Figure 46. Pelvic Tilt Adjustment**

**NOTICE: Engaging the Pelvic Tilt Mechanism**

Pulling up with excessive force can damage the pelvic tilt mechanism. Lift only with enough force to engage mechanism.

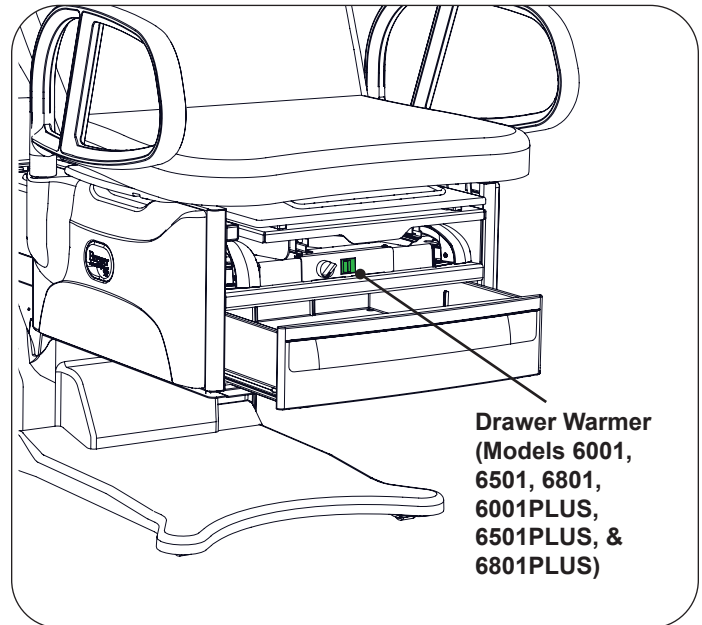
To lower seat, lift the adjustment lever and lower the seat to the horizontal position.

**NOTICE: Lowering the Pelvic Tilt Mechanism**

Patient must be removed from table prior to lowering the pelvic tilt mechanism.

**Front Drawer Warmer  
(Models 6001, 6501, 6801, 6001PLUS,  
6501PLUS, and 6801PLUS)**

Models 6001, 6501, 6801, 6001PLUS, 6501PLUS, and 6801PLUS are equipped with a drawer warmer that is turned on by a switch located above the drawer (Figure 47).



**Figure 47. Front Drawer Warmer Switch**

**NOTICE: Proper Loading of the Front Drawer**

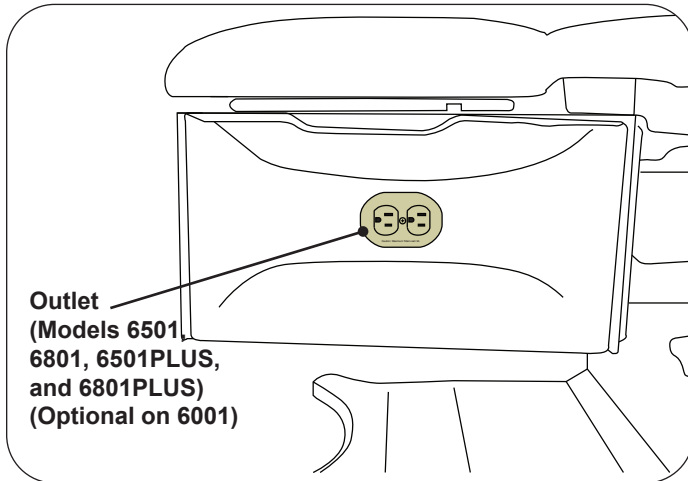
Do not stack instruments in the front drawer. Place instruments in one layer in the bottom of the drawer.

**OPERATION (CONTINUED)**

**Outlet**

**(Models 6001 (optional), 6501, 6801, 6501PLUS, and 6801PLUS)**

Models 6001, 6501, 6801, 6501PLUS, and 6801PLUS are equipped with an Outlet (Figure 48). The maximum total load that can be plugged into the outlet is 2 amps.



**Figure 48. Table Outlet**

**NOTICE: Maximum Outlet Rating**

Plugging a device into the outlet on the side of the table with rating higher than 2 amps may cause the fuse at the back of the table to blow.

**EasyGlide Mobility Option**

**(Available option for all PLUS Models)**

To engage EasyGlide mobility option (deploy wheels on table to enable movement around the exam room):

1. Ensure there is power to the table (power cord is plugged in).
2. Locate the EasyGlide mobility activation switch on the front of the table below the upholstered seat.
3. Turn the switch clockwise to the upper position shown in Figure 49, indicated by the table movement decal.



**Figure 49. EasyGlide Mobility Option Switch**

4. Wait for the central wheels to lower (up to six seconds). Once the wheels begin deploying, the rotary switch will illuminate.

**OPERATION (CONTINUED)**

Once EasyGlide is deployed, the table can be rotated and moved around the exam room to accommodate cleaning and positioning of other medical equipment needed for exams. Users can adjust the position of the seat so the assist handles are at a comfortable height when moving the exam table. Grasp the front of the assist handles when moving the table (Figure 50).

*NOTE: If assist handles are not installed on the table, push and/or pull from the front of the upholstered seat. Do not lift the underside of the seat.*





**Figure 50. Position Assist Handles to Move Table**


To disengage EasyGlide mobility option (retract wheels on table and disable movement):


1. Ensure there is power to the table (power cord is plugged in).
2. Locate the EasyGlide mobility activation switch on the front of the table below the upholstered seat.
3. Turn the switch counter-clockwise to the lower position (indicated by the no table movement decal). When the wheels are fully retracted, the switch will no longer be lit.

**EasyGlide Mobility Option Warnings/ Cautions/Notices**

	<p><b>WARNING: Fall Hazard</b></p> <p>The mobility feature is not intended to be used with a patient on the table.</p>
---	--


	<p><b>WARNING: Pinch Hazard</b></p> <p>Before and during downward movement, keep personnel and equipment clear of table to avoid personal injury or damage to the equipment. The mobility options could remain active although the switch light is not illuminated.</p>
---	---


	<p><b>CAUTION: Pinch Hazard</b></p> <p>The exam table should only be moved with storage drawers, work surface, and leg extension pushed in/not deployed.</p>
---	--


	<p><b>CAUTION: Pinch Hazard</b></p> <p>If power is removed at any time, the mobility feature will remain in its current state. The mobility options could remain active even if the switch light is not illuminated.</p>
---	--

<b>NOTICE</b>	
<p>EasyGlide mobility option allows the exam table to be moved for cleaning and disinfection, or to accommodate other exam room equipment. For instructions on transferring the table outside of the exam room, please refer to the Installation instructions in this document.</p>	

<b>NOTICE</b>	
<p>For optimal operation, do not run Return to Chair feature while engaging or disengaging the EasyGlide mobility option.</p>	

	<p><b>CAUTION</b></p> <p>The EasyGlide mobility option is meant to be used on level or mostly level flooring surfaces. Use on unlevel surfaces may cause unintended movement.</p>
---	---


	<p><b>CAUTION</b></p> <p>Do not turn the EasyGlide mobility switch when the table is not plugged in to avoid the switch indicating the wrong state.</p>
---	---


	<p><b>CAUTION: Automatic Startup</b></p> <p>When plugged in the EasyGlide mobility option will go to the indicated state if it is not already there.</p>
---	--

<b>NOTICE</b>	
<p>The EasyGlide mobility option works best with the backrest up.</p>	

<b>NOTICE</b>	
<p>The On-Off switch does not impact the function of the EasyGlide mobility option.</p>	

**MAINTENANCE**

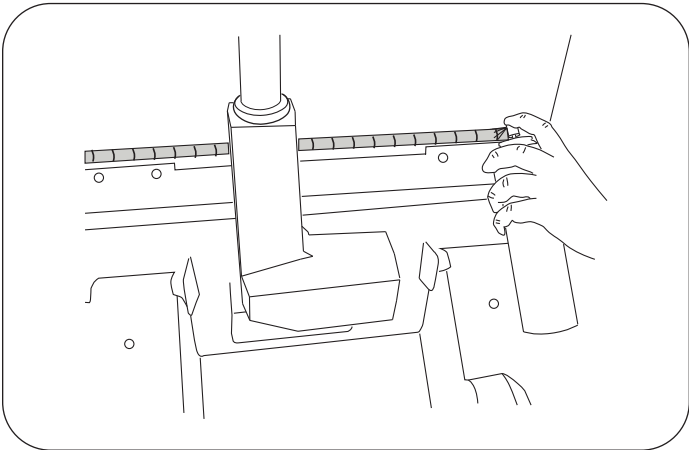
	<p><b>WARNING: Shock Hazard</b></p> <p>Disconnect power by removing plug from wall receptacle before servicing table. Failure to do so may result in electrical shock.</p>
---	--

	<p><b>CAUTION</b></p> <p>Only use the receptacle to supply power to equipment intended to form part of the medical electrical system.</p>
---	---

**Preventative Maintenance**

<p><b>NOTICE: Loose Fasteners and Damaged Components</b></p> <p>Failure to perform periodic inspections of the table could result in equipment damage.</p>
--

- Inspect table every 6 months.
- Periodically inspect the electrical cord to ensure it is free of cuts or damage if equipped.
- Inspect the mechanical functions to ensure satisfactory operation.
- Check fasteners to make sure they are present and tightened securely.
- Lubricate moving parts (such as back hinge) with a food grade silicone lubricant. Cover surrounding area to protect from overspray. Wipe away excess lubricant. Do not lubricate beam or locking mechanism in stirrup area.



**Figure 51. Lubricating the Backrest Hinge**

<p><b>NOTICE: Table Malfunction</b></p> <p>If table malfunctions, immediately unplug the power cord from the receptacle and assist the patient from the table. Service the table prior to use.</p>
--

**Table Care**

<p><b>NOTICE: Wipe Spills Immediately!</b></p> <p>The upholstery material is resistant to most medical type stains, but may be damaged by solvents and dyes. Remove any spilled fluids from the upholstery immediately.</p>
---

Improper cleaning products used on Brewer tables can decrease the life of the table. Always follow Brewer's Cleaning guidelines. You can view the latest guidelines at [brewercompany.com/resources/product-manuals/](http://brewercompany.com/resources/product-manuals/).

**Proper Disposal**

Follow local and state guidelines for proper disposal of product.

**SERVICE**



**WARNING: Shock Hazard**

Disconnect power by removing plug from wall receptacle before servicing table. Failure to do so may result in electrical shock.

**Fuse Replacement**

**Tables with Drawer Warmer and Outlet  
(Models 6001 and 6001PLUS w/Outlet, 6501,  
6801, 6501PLUS, and 6801PLUS)**



**Figure 52. Tables with outlet and drawer warmer use a single 3A fuse**

1. Unplug table from wall receptacle.
2. Fuse is located at the back of the table near the power cord.
3. Push the fuse holder cap in with a flat screwdriver and rotate 1/4 turn counterclockwise to remove cap and fuse.
4. Replace fuse with Brewer 2102490, 3A 250V fuse.
5. Push new fuse into cap.
6. Push cap with fuse into holder and rotate 1/4 turn clockwise to install.
7. Plug table into wall receptacle.
8. Check drawer warmer and outlet for proper function.

**Tables with Drawer Warmer Only  
(Models 6001 and 6001PLUS without Outlet)**



**Figure 53. Tables with drawer warmer and no outlet use two 1A fuses**

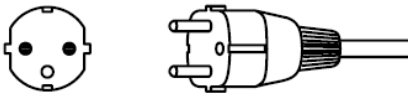
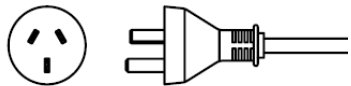
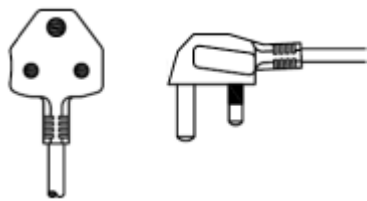
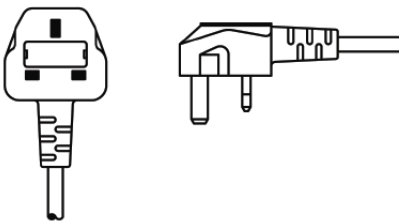
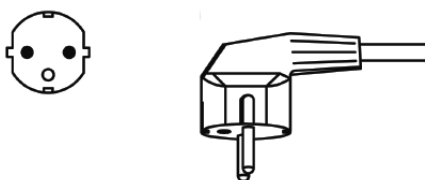
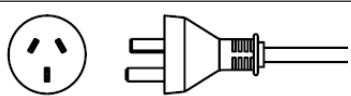
1. Unplug table from wall receptacle.
2. Fuses are located at the back of the table near the power cord.
3. Push a fuse holder cap in with a flat screwdriver and rotate 1/4 turn counterclockwise to remove cap and fuse.
4. Replace fuse with Brewer 100777, 1A 250V fuse.
5. Push new fuse into cap.
6. Push cap with fuse into holder and rotate 1/4 turn clockwise to install.
7. Plug table into wall receptacle.
8. Check drawer warmer for proper function.

**ACCESSORIES**

Refer to the Brewer website ([www.brewercompany.com](http://www.brewercompany.com)) for a list of current accessories.

**POWER CORD OPTIONS**

**NOTICE**  
This table must be used with a Brewer provided power cord.  
Failure to do so will void the warranty of electrical components.

Power Cord Plug Type	Brewer Part No.	Countries Typically Used In
 <p>EU1-16P, CEE 7/7</p>	101941	Thailand Laos Vietnam Philippines Indonesia Cambodia
 <p>CH1-10P</p>	101942	China Mongolia
 <p>UK2-15P (BS 546 A)</p>	101493	Macau Bangladesh
 <p>UK1-13P, -BS 1363A</p>	101944	Myanmar Hong Kong Singapore Malaysia
 <p>KSC-8305 SK1-16P</p>	101945	South Korea
 <p>AU1-10P</p>	2102545	Australia

---

## WARRANTY

### For Brewer Warranty Information:

Registering your Brewer product is easy. Simply go to [brewercompany.com/warranty-registration](https://brewercompany.com/warranty-registration), fill out the information fields and click send. By registering your product today, you are better safeguarding your investment in the future.