

SURGICAL CASE CARTS

Space-Saving Design

Models

□ CC142 □ CC242 □ CC158 □ CC258



Model CC242



Optional Clean / Biohazard
I.D. Flag System



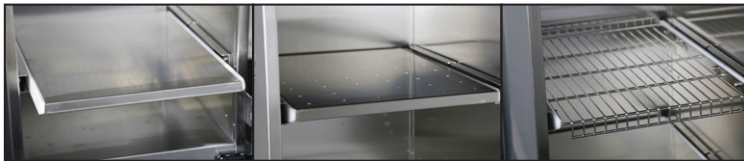
Model CC158
Shown with optional ClearView Door,
I.D. Flag System, and I.D. Holder.

Benefits

- Quiet, smooth ease of transport
- Space-saving design for tight spaces
- Cart washable
- Maximized interior storage space with ease of loading
- Durable long life

Features

- Stainless steel construction
- Medical grade sealed casters, offset for maneuvering over thresholds
- Heavy-duty stainless steel door hinges
- Available door gasket seals interior
- Available ClearView™ transparent door allows viewing of contents without opening door
- Stainless steel slide-out, height-adjustable shelves (one solid style included)
- Base corner bumpers
- Angled top-mount dual push handles

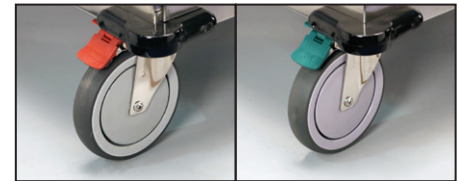


Solid Shelf Optional Perforated Shelf Optional Wire Shelf

Optional Accessories

- Full-perimeter bumper
- Clean/biohazard ID flag system
- ClearView™ transparent door
- Perforated compartment floor
- Side-mount I.D. holder
- Floor drain with plug
- Additional wire, perforated, or solid shelves
- Door gasket

Custom Configurations & Accessories Available



Sealed MedCasters by Colson; two
directional locking and two braking



Heavy-duty Stainless
Steel Door Hinges



Optional
Door Gasket

SURGICAL CASE CARTS

Space-Saving Design

Models **CC142, CC242, CC158, CC258**

Specifications:

All-welded stainless steel construction with 16-gauge base floor and top, and 20-gauge sides and back. Unit sides have a slam/catch to hold doors in 270° open position. Doors (right on Models CC242, CC258) have Stay-closed magnet to assure door closure during transport. Dual ergonomic push handles are mounted to angled top corners. One adjustable solid stainless steel shelf is included (perforated and wire shelf options available), having a 70 lb. weight capacity, and featuring polyoxymethylene (POM) heavy-duty, low-friction slides. Slides have internal slotted stop allowing 50% pullout of shelves to prevent tipping. Optional ClearView door is constructed of transparent abrasion-resistant polycarbonate. Casters are 6" diameter all-swivel plate-mount with sound deadening caster pads to reduce travel noise. Two casters are directional locking, two are braking, and all four are offset for ease of movement over thresholds.

2-Door Models:

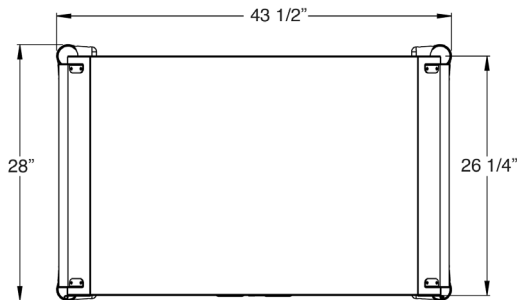
Feature center astragal to maximize storage (no center post to obstruct loading).



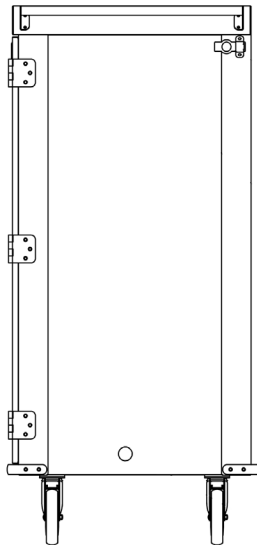
Optional I.D. Holder

Model Information:

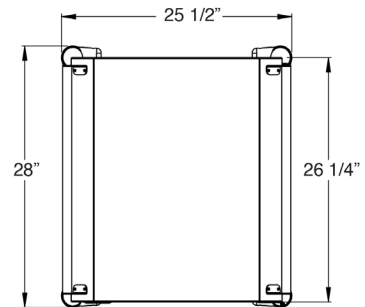
Model	# Of Doors	Unit Wt. (Lbs)	Overall Size		
			W	D	H
CC142	1	130	25½"	28"	42"
CC242	2	190	43½"	28"	42"
CC158	1	25½"	28"	58"	
CC258	2	225	43½"	28"	58"



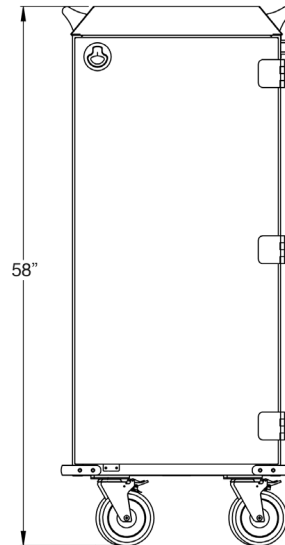
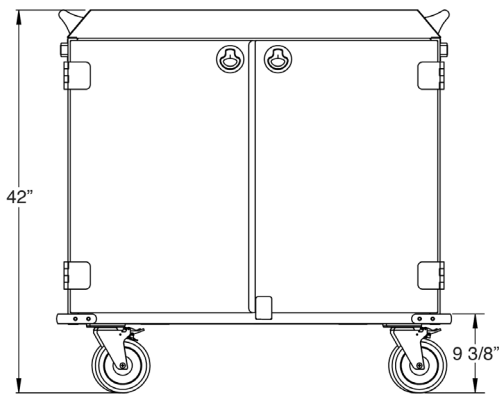
Model CC242



Side View



Model CC158



Lakeside Manufacturing, Inc.