

Cord Management Drape[™]

Instructions for Use



Table of Contents

Intended Use 3
Installation 4
Warranty and Storage 5

IMPORTANT INFORMATION

The instructions in this document refer to the Cord Management Drape™ with the following identification:

- **Manufacturer:** Domico Med-Device, LLC
- **Part Number:** 6000
- **Product Name:** CORD MANAGEMENT DRAPE™
- **Type Designation:** Sterile Disposables
- **Serial Number:** See Identification Tag
- **Manufacture Date:** See Identification Tag

Manufactured By
Domico Med-Device, LLC



Life-Changing Patient Interface Solutions
Domico Med-Device, LLC

Intended Use

CORD MANAGEMENT DRAPE™: A sterile disposable that provides efficient flow and function of cords during surgery.

Key Operational Characteristics

- Open and close system for easy access to cords
- Long pocket to secure Bovie / apparatuses
- Strong adhesion to drape / mayo stand
- Impervious material to safeguard against contamination

Safety Liability

Domico Med-Device, LLC assumes no liability for the safe and reliable operation of the CORD MANAGEMENT DRAPE™ where:

- The drape used in a manner other than its intended use as stated above.



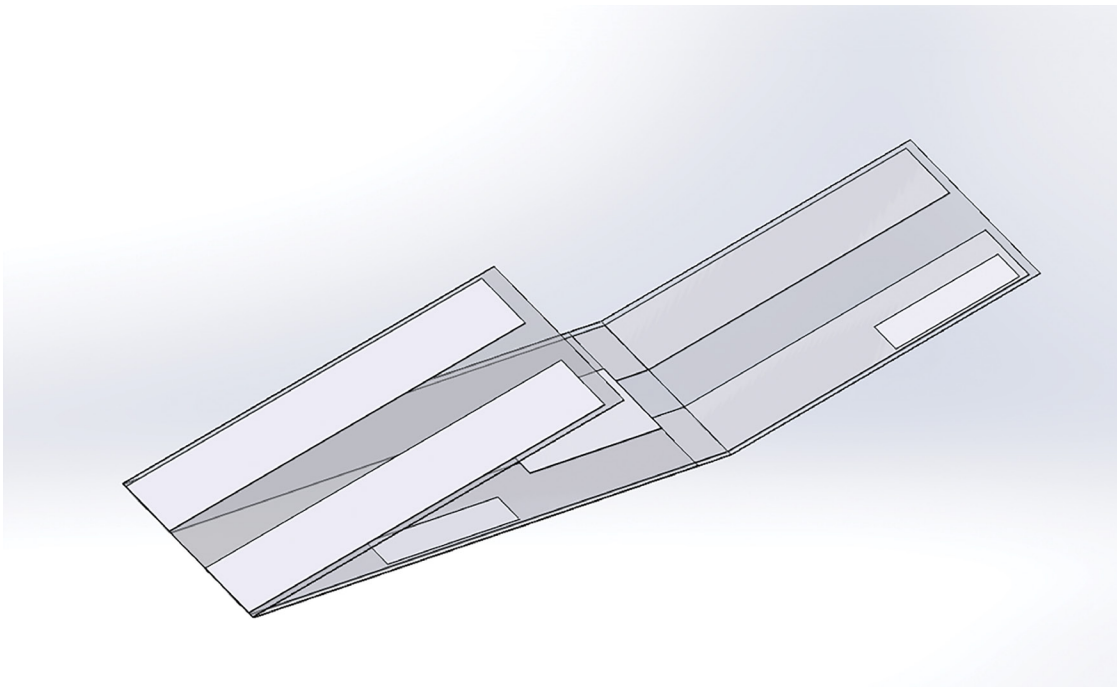
WARNING!

To reduce risk of injury to user(s) and patient(s), user(s) must carefully read and understand this document

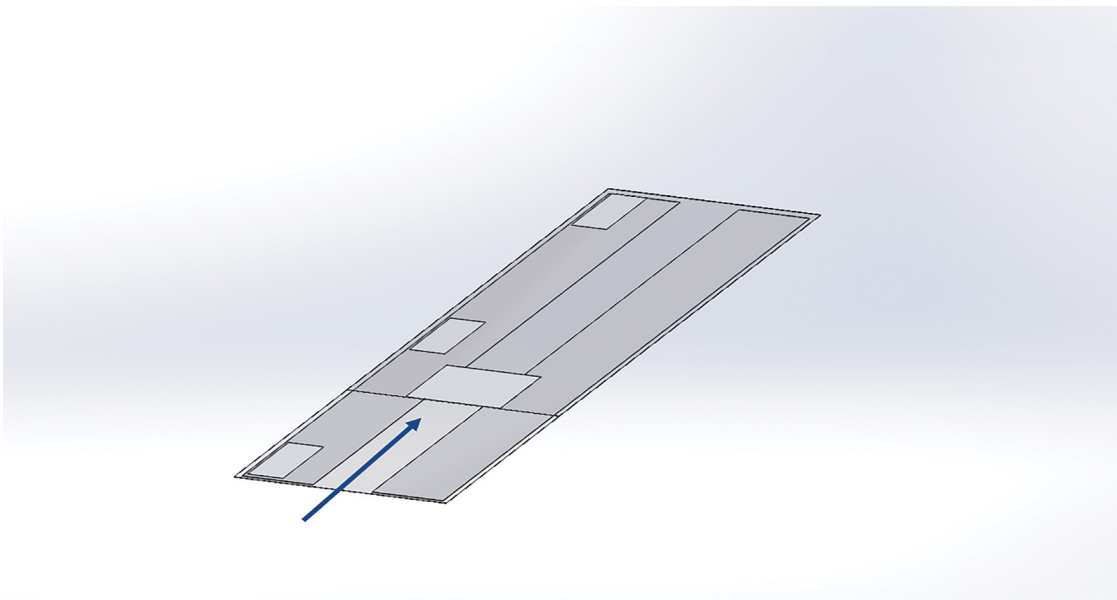
Installation

Drape Installation Sequence

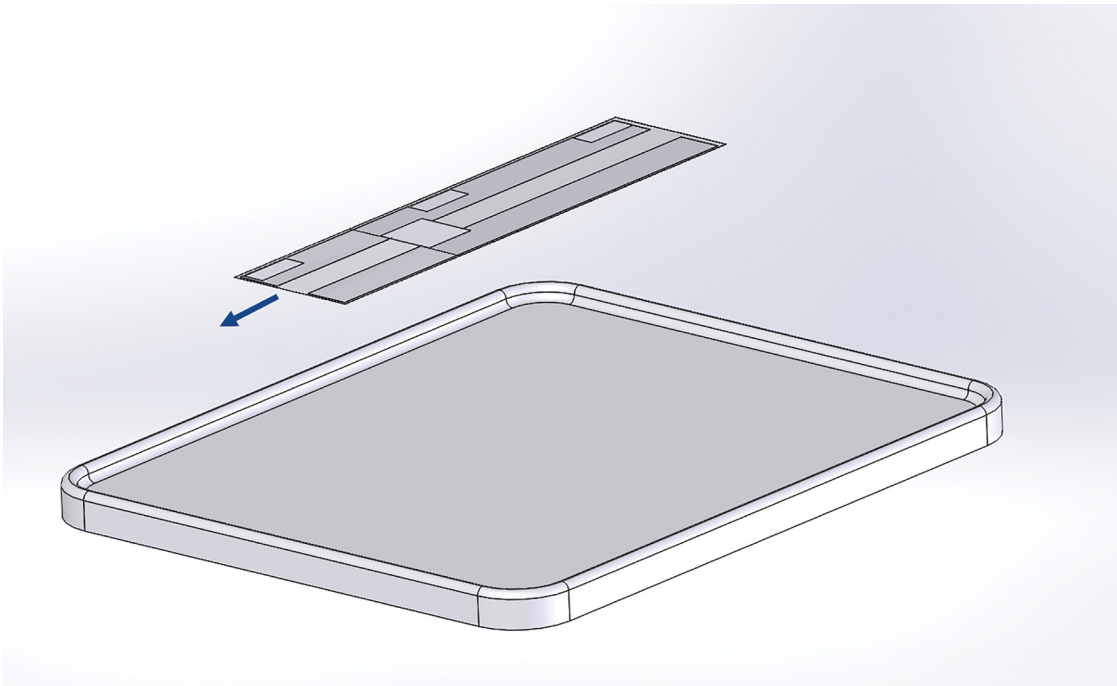
1. Unfold drape



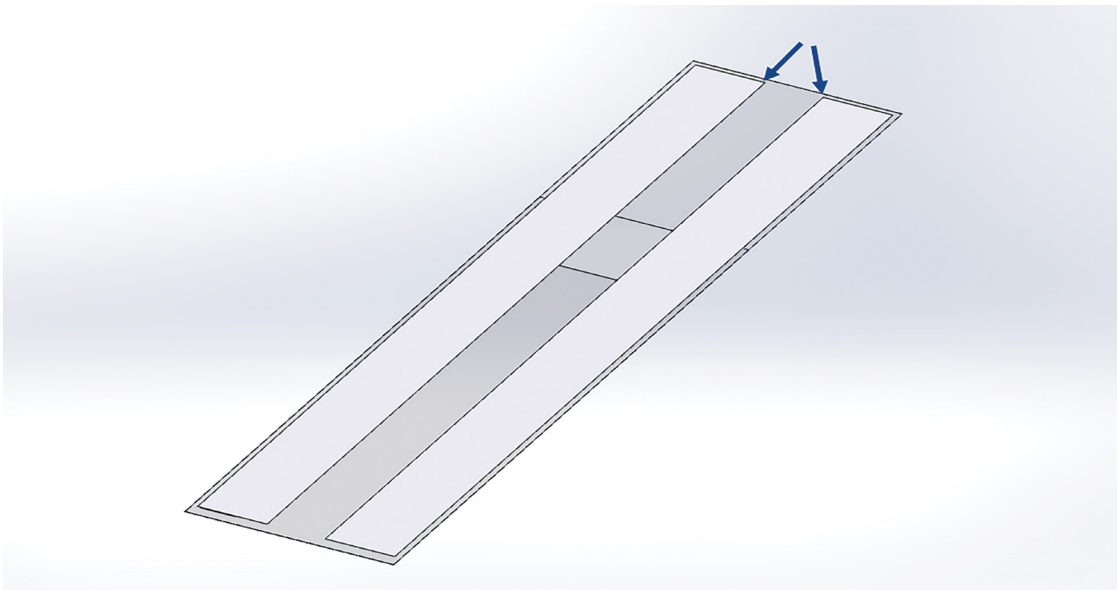
2. Identify the outside pocket on the drape before adhering



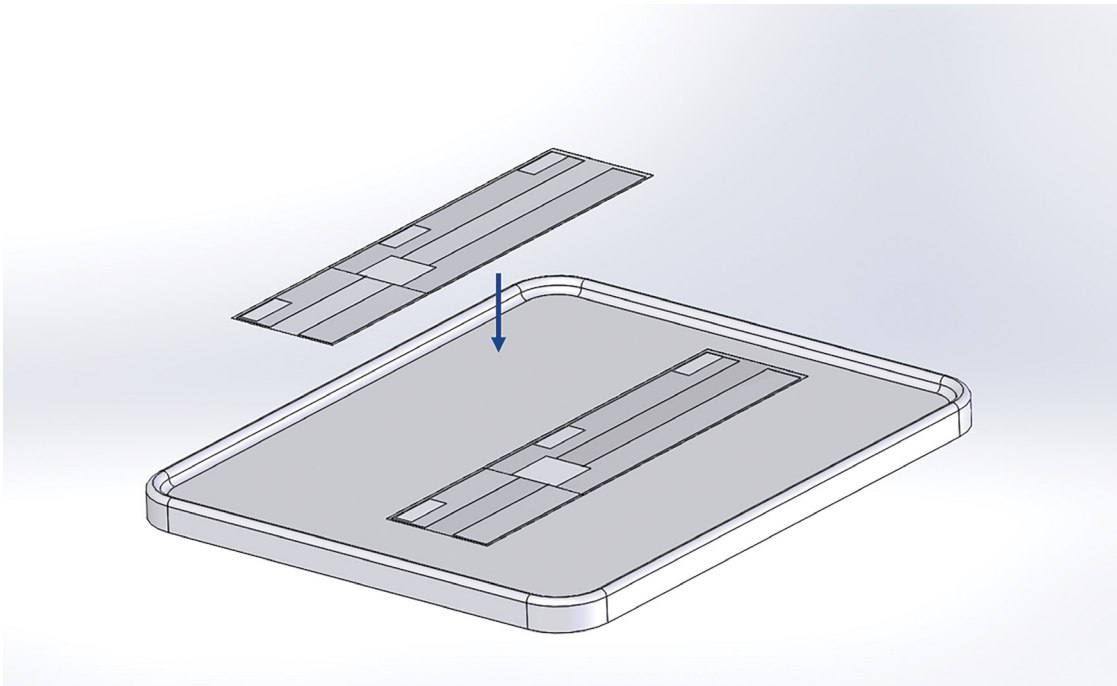
3. Orient the opening of the pocket towards the surgical site



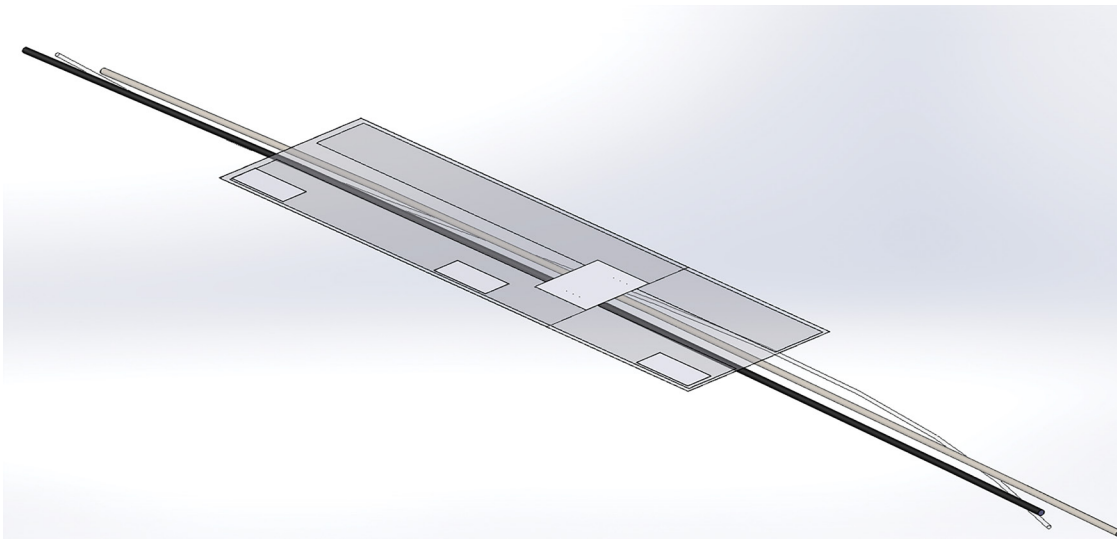
4. Remove adhesive backing from the drape



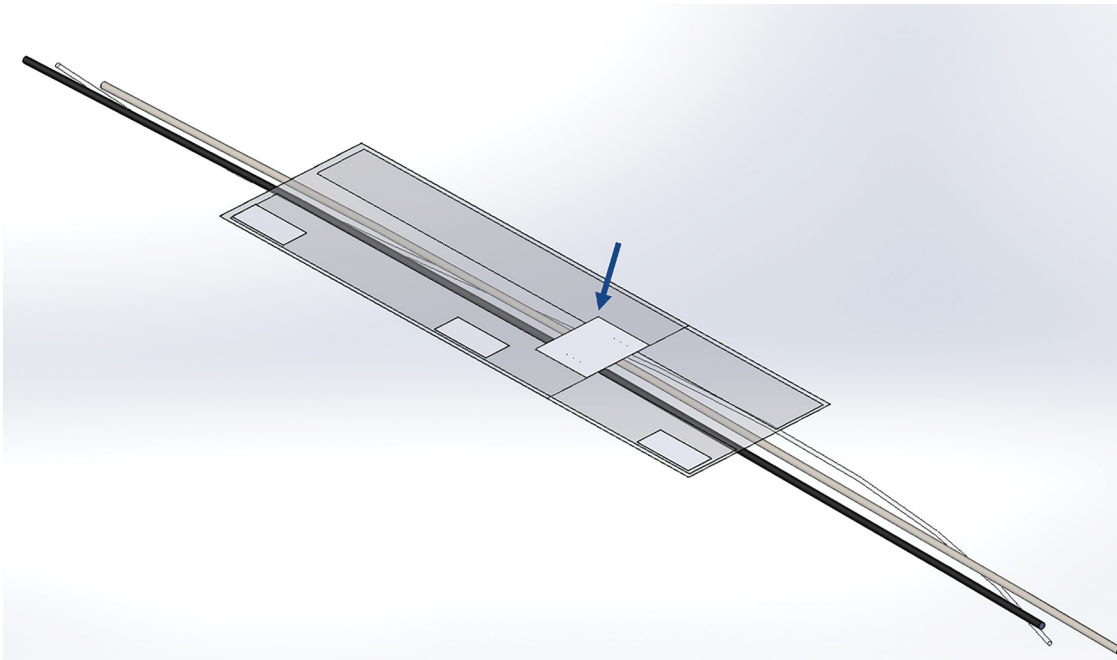
5. Stick to patient drape, mayo stand, or both



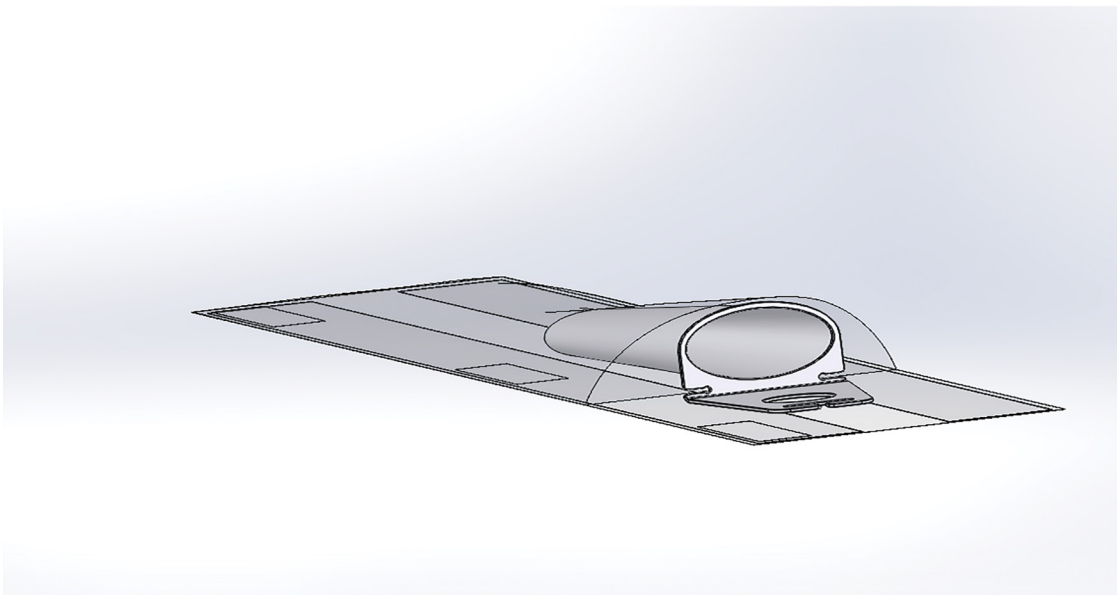
6. Open drape (hook and loop tabs), place cords and close



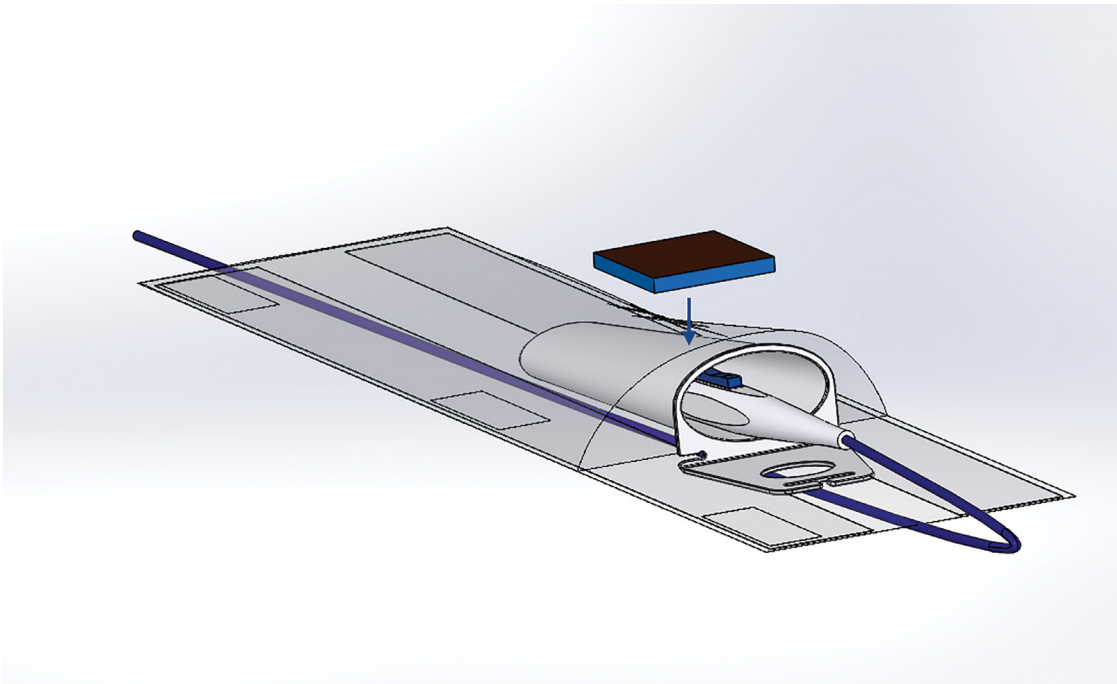
7. Remove adhesive backing on the inside of pocket



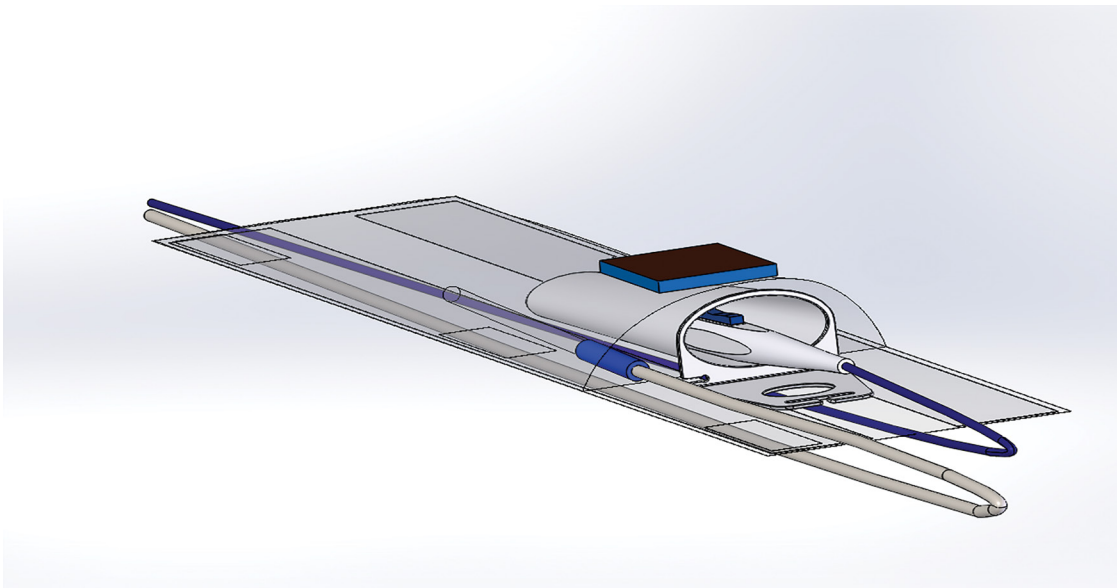
8. Adhere bovie holster inside of pocket and secure adhesive (DO NOT PUT SCRATCH PAD ON HOLSTER)



9. For best practice, place scratch pad on top of the outside pocket



10. Use the outside pocket to place apparatuses when not in use



11. Cord Management Drape™ is now ready for use



Warranty and Storage

Maintenance

System is designed to be maintenance free.

Limited Warranty

Domico Med-Device, LLC warrants to Customer that this product, manufactured by Domico Med-Device, LLC and sold to customer, will be free from defects in materials and workmanship for a period of one (1) year after delivery to Customer. This warranty shall not apply to any products which have been subjected to misuse, improper installation, alteration, neglect, accident, abnormal conditions of operation, or use under conditions other than those for which the products were designed.

EXCEPT FOR THE FOREGOING LIMITED WARRANTY, SELLER MAKES NO OTHER WARRANTIES, EITHER EXPRESSED OR IMPLIED, INCLUDING ALL WARRANTIES OF FITNESS OR OF MERCHANTABILITY.

Disposal

Disposed of in an environmentally safe manner, per local governmental guidelines.