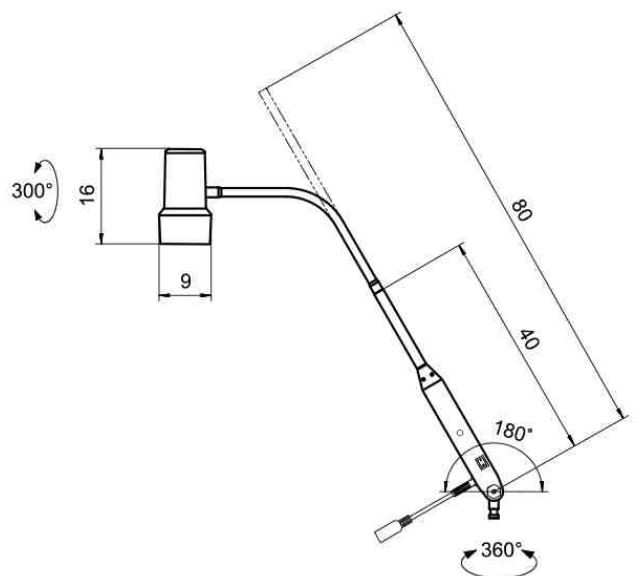
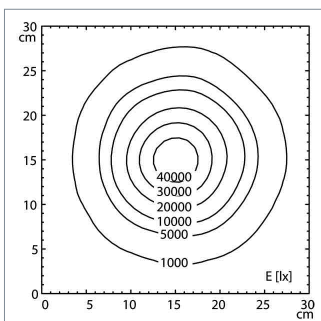
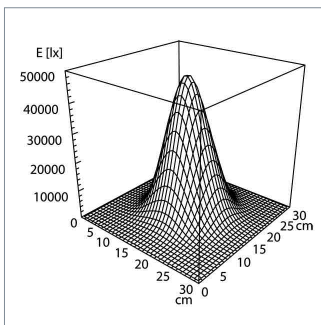




fitted with	LED module - Energy efficiency category A+
Illuminancefield @ 50 cm	Ø 18 cm (7 in)
illuminance @ 50 cm	50 000 lx
color rendering index (CRI)	> 93
color temperature	4400 K
work equipment	electronic converter
mains lead	1.8 m (70.86 in), US hospital graded plug
luminaire body	polycarbonate & acrylonitrile butadiene styrene copolymer (PC & ABS)
body color	grey/pure white
weight (net)	1.3 kg (2.86 lb)
power consumption	13 W
usage	rocker switch (I/O) at the arm
balance of articulation joints	friction
class of protection	II
norms	EN 60601-1, EN 60601-2-41
special features	switchable, maintenance free, US hospital graded plug
fastening	fastening pin (Ø 16mm)
supplied accessory	table clamp



light distribution

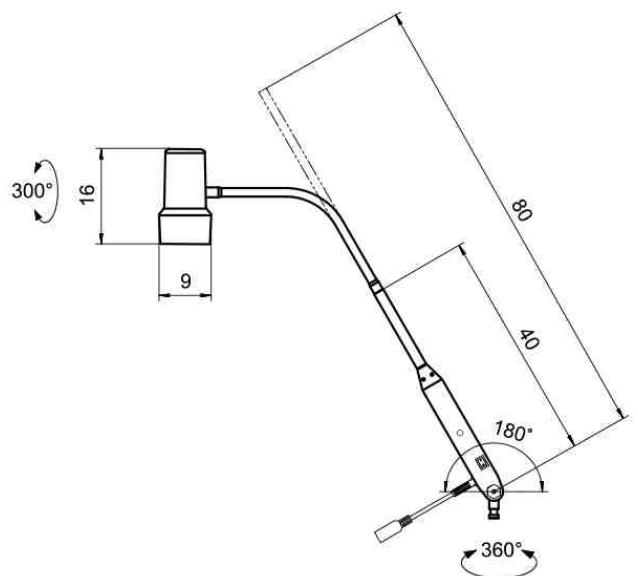
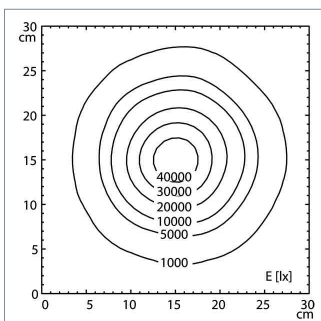
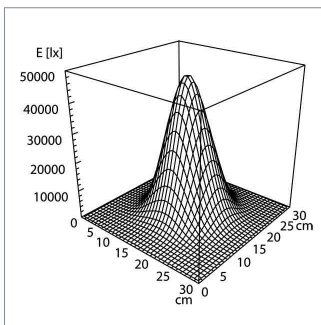




fitted with	LED module - Energy efficiency category A+
Illuminancefield @ 50 cm	Ø 18 cm (7 in)
illuminance @ 50 cm	50 000 lx
color rendering index (CRI)	> 93
color temperature	4400 K
work equipment	electronic converter
mains lead	1.8 m (70.86 in), US hospital graded plug
luminaire body	polycarbonate & acrylonitrile butadiene styrene copolymer (PC & ABS)
body color	grey/pure white
weight (net)	1.3 kg (2.86 lb)
power consumption	13 W
usage	rocker switch (I/O) at the arm
balance of articulation joints	friction
class of protection	II
norms	EN 60601-1, EN 60601-2-41
special features	switchable, maintenance free, US hospital graded plug
fastening	fastening pin (Ø 16mm)
supplied accessory	floorstand



light distribution

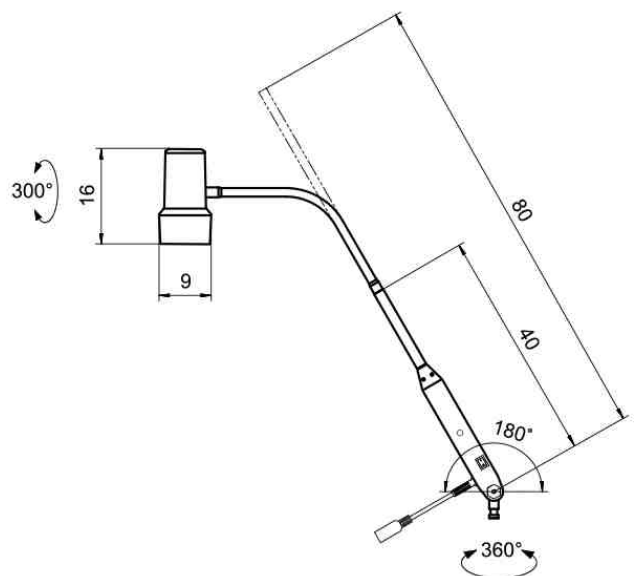
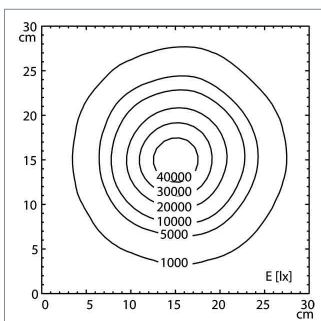
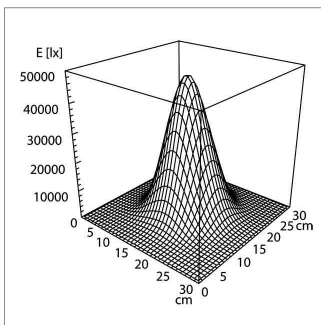




fitted with	LED module - Energy efficiency category A+
Illuminancefield @ 50 cm	Ø 18 cm (7 in)
illuminance @ 50 cm	50 000 lx
color rendering index (CRI)	> 93
color temperature	4400 K
work equipment	electronic converter
mains lead	1.8 m (70.86 in), US hospital graded plug
luminaire body	polycarbonate & acrylonitrile butadiene styrene copolymer (PC & ABS)
body color	grey/pure white
weight (net)	1.3 kg (2.86 lb)
power consumption	13 W
usage	rocker switch (I/O) at the arm
balance of articulation joints	friction
class of protection	II
norms	EN 60601-1, EN 60601-2-41
special features	switchable, maintenance free, US hospital graded plug
fastening	fastening pin (Ø 16mm)
supplied accessory	wall mount



light distribution

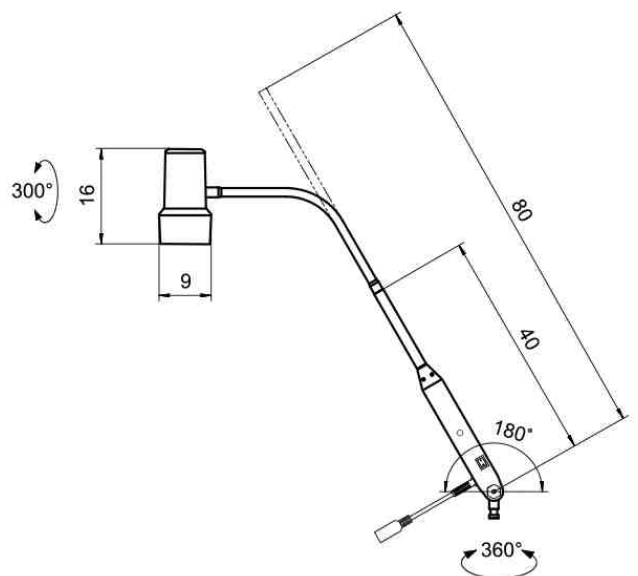
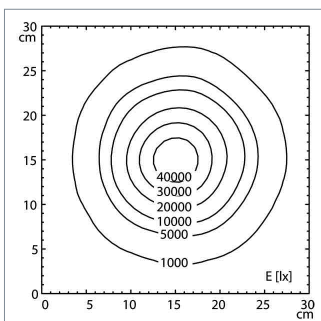
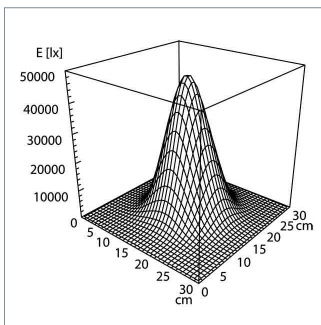




fitted with	LED module - Energy efficiency category A+
Illuminancefield @ 50 cm	Ø 18 cm (7 in)
illuminance @ 50 cm	50 000 lx
color rendering index (CRI)	> 93
color temperature	4400 K
work equipment	electronic converter
mains lead	1.8 m (70.86 in), US hospital graded plug
luminaire body	polycarbonate & acrylonitrile butadiene styrene copolymer (PC & ABS)
body color	grey/pure white
weight (net)	1.3 kg (2.86 lb)
power consumption	13 W
usage	rocker switch (I/O) at the arm
balance of articulation joints	friction
class of protection	II
norms	EN 60601-1, EN 60601-2-41
special features	switchable, maintenance free, US hospital graded plug
fastening	fastening pin (Ø 16mm)
supplied accessory	wall mount with extention arm



light distribution





fitted with	LED module - Energy efficiency category A+
Illuminancefield @ 50 cm	Ø 18 cm (7 in)
illuminance @ 50 cm	50 000 lx
color rendering index (CRI)	> 93
color temperature	4400 K
work equipment	electronic converter
mains lead	1.8 m (70.86 in), US hospital graded plug
luminaire body	polycarbonate & acrylonitrile butadiene styrene copolymer (PC & ABS)
body color	grey/pure white
weight (net)	1.3 kg (2.86 lb)
power consumption	13 W
usage	rocker switch (I/O) at the arm
balance of articulation joints	friction
class of protection	II
norms	EN 60601-1, EN 60601-2-41
special features	switchable, maintenance free, US hospital graded plug
fastening	fastening pin (Ø 16mm)
supplied accessory	rail mount



light distribution

