

**Examination Luminaire**  
**HALUX N30-1 P F1**  
 # D15994100



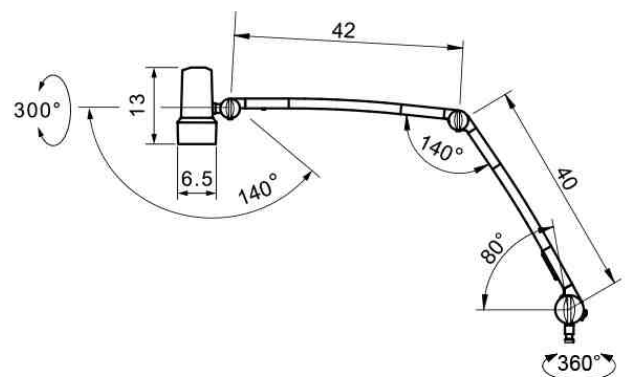
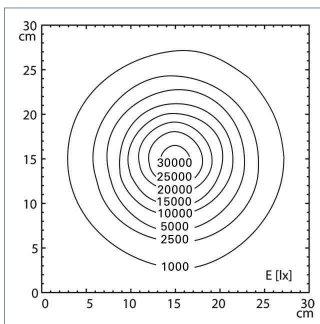
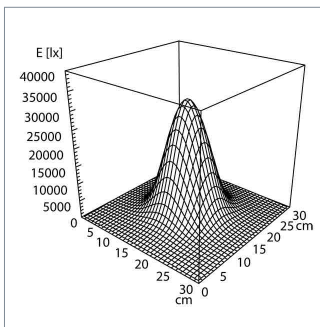
**fitted with**  
**illuminance field @ 50cm**  
**illuminance @ 50cm**  
**color rendering index (CRI)**  
**color temperature**  
**work equipment**  
**mains lead**  
**luminaire body**

**weight (net)**  
**power consumption**  
**usage**  
**balance of articulation joints**  
**class of protection**  
**accessory**

**norms**  
**special features**  
**fastening**  
**mounting included**  
**order number**

LED module - energy efficiency category A+  
 Ø 18cm  
 30,000lx  
 > 93  
 4400K  
 electronic plug-in transformer  
 approx. 5.6ft (1.7m)  
 polycarbonate & acrylonitrile butadiene  
 styrene copolymer (PC & ABS)  
 approx. 2.4lbs (1.1kg)  
 8W  
 keypad at luminaire head  
 friction  
 II  
 roll support, rail fastening with removal  
 protection, table clamp with removal  
 protection, universal fastening with removal  
 protection, extension arm with removal  
 protection, wall bracket with removal  
 protection  
 EN 60601-1; EN 60601-2-41  
 continuously dimmable, maintenance free  
 fastening pin (Ø 16mm)  
 table clamp  
 D15994100 - pure white

light distribution



**Examination Luminaire**  
**HALUX N30-1 P F1**  
 # D15994110



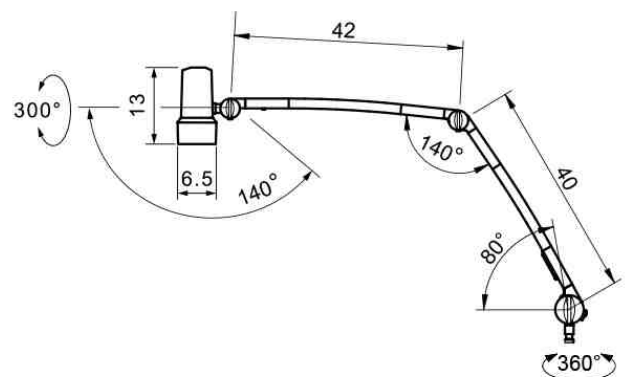
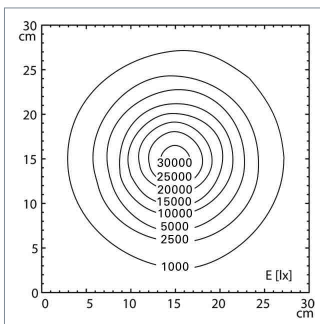
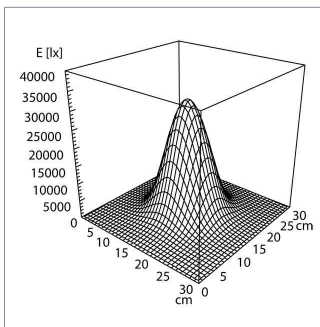
**fitted with**  
**illuminance field @ 50cm**  
**illuminance @ 50cm**  
**color rendering index (CRI)**  
**color temperature**  
**work equipment**  
**mains lead**  
**luminaire body**

**weight (net)**  
**power consumption**  
**usage**  
**balance of articulation joints**  
**class of protection**  
**accessory**

**norms**  
**special features**  
**fastening**  
**mounting included**  
**order number**

LED module - energy efficiency category A+  
 Ø 18cm  
 30,000lx  
 > 93  
 4400K  
 electronic plug-in transformer  
 approx. 5.6ft (1.7m)  
 polycarbonate & acrylonitrile butadiene  
 styrene copolymer (PC & ABS)  
 approx. 2.4lbs (1.1kg)  
 8W  
 keypad at luminaire head  
 friction  
 II  
 roll support, rail fastening with removal  
 protection, table clamp with removal  
 protection, universal fastening with removal  
 protection, extension arm with removal  
 protection, wall bracket with removal  
 protection  
 EN 60601-1; EN 60601-2-41  
 continuously dimmable, maintenance free  
 fastening pin (Ø 16mm)  
 floorstand  
 D15994110 - pure white

light distribution



**Examination Luminaire**  
**HALUX N30-1 P F1**  
 # D15994120



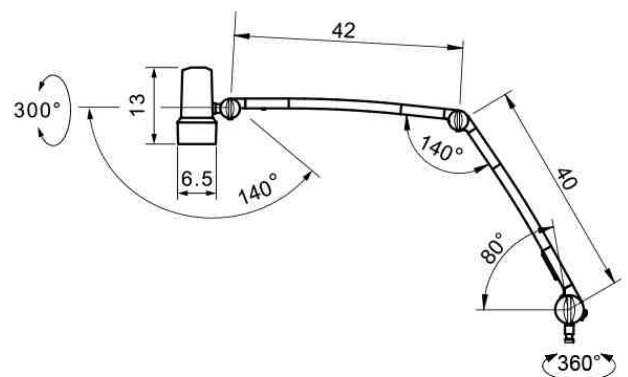
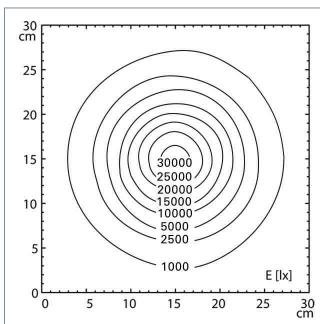
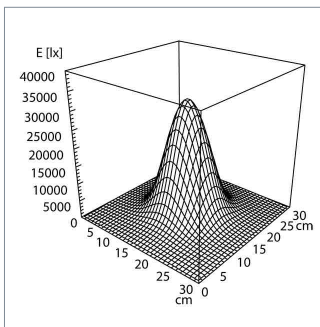
**fitted with**  
**illuminance field @ 50cm**  
**illuminance @ 50cm**  
**color rendering index (CRI)**  
**color temperature**  
**work equipment**  
**mains lead**  
**luminaire body**

**weight (net)**  
**power consumption**  
**usage**  
**balance of articulation joints**  
**class of protection**  
**accessory**

**norms**  
**special features**  
**fastening**  
**mounting included**  
**order number**

LED module - energy efficiency category A+  
 Ø 18cm  
 30,000lx  
 > 93  
 4400K  
 electronic plug-in transformer  
 approx. 5.6ft (1.7m)  
 polycarbonate & acrylonitrile butadiene  
 styrene copolymer (PC & ABS)  
 approx. 2.4lbs (1.1kg)  
 8W  
 keypad at luminaire head  
 friction  
 II  
 roll support, rail fastening with removal  
 protection, table clamp with removal  
 protection, universal fastening with removal  
 protection, extension arm with removal  
 protection, wall bracket with removal  
 protection  
 EN 60601-1; EN 60601-2-41  
 continuously dimmable, maintenance free  
 fastening pin (Ø 16mm)  
 wall mount  
 D15994120 - pure white

light distribution



**Examination Luminaire**  
**HALUX N30-1 P F1**  
 # D15994130



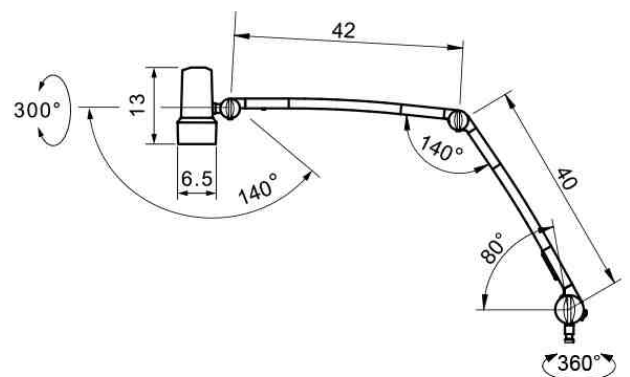
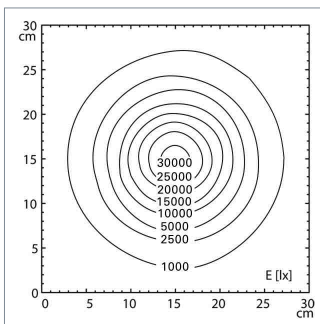
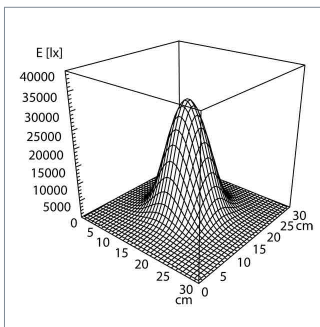
**fitted with**  
**illuminance field @ 50cm**  
**illuminance @ 50cm**  
**color rendering index (CRI)**  
**color temperature**  
**work equipment**  
**mains lead**  
**luminaire body**

**weight (net)**  
**power consumption**  
**usage**  
**balance of articulation joints**  
**class of protection**  
**accessory**

**norms**  
**special features**  
**fastening**  
**mounting included**  
**order number**

LED module - energy efficiency category A+  
 Ø 18cm  
 30,000lx  
 > 93  
 4400K  
 electronic plug-in transformer  
 approx. 5.6ft (1.7m)  
 polycarbonate & acrylonitrile butadiene  
 styrene copolymer (PC & ABS)  
 approx. 2.4lbs (1.1kg)  
 8W  
 keypad at luminaire head  
 friction  
 II  
 roll support, rail fastening with removal  
 protection, table clamp with removal  
 protection, universal fastening with removal  
 protection, extension arm with removal  
 protection, wall bracket with removal  
 protection  
 EN 60601-1; EN 60601-2-41  
 continuously dimmable, maintenance free  
 fastening pin (Ø 16mm)  
 wall mount, extended arm  
 D15994130 - pure white

light distribution



**Examination Luminaire**  
**HALUX N30-1 P F1**  
 # D15994150



**fitted with**  
**illuminance field @ 50cm**  
**illuminance @ 50cm**  
**color rendering index (CRI)**  
**color temperature**  
**work equipment**  
**mains lead**  
**luminaire body**

**weight (net)**  
**power consumption**  
**usage**  
**balance of articulation joints**  
**class of protection**  
**accessory**

**norms**  
**special features**  
**fastening**  
**mounting included**  
**order number**

LED module - energy efficiency category A+  
 Ø 18cm  
 30,000lx  
 > 93  
 4400K  
 electronic plug-in transformer  
 approx. 5.6ft (1.7m)  
 polycarbonate & acrylonitrile butadiene  
 styrene copolymer (PC & ABS)  
 approx. 2.4lbs (1.1kg)  
 8W  
 keypad at luminaire head  
 friction  
 II  
 roll support, rail fastening with removal  
 protection, table clamp with removal  
 protection, universal fastening with removal  
 protection, extension arm with removal  
 protection, wall bracket with removal  
 protection  
 EN 60601-1; EN 60601-2-41  
 continuously dimmable, maintenance free  
 fastening pin (Ø 16mm)  
 rail mount  
 D15994150 - pure white

light distribution

