

Examination Luminaire
HALUX N30-1 P SV
 # D15990100



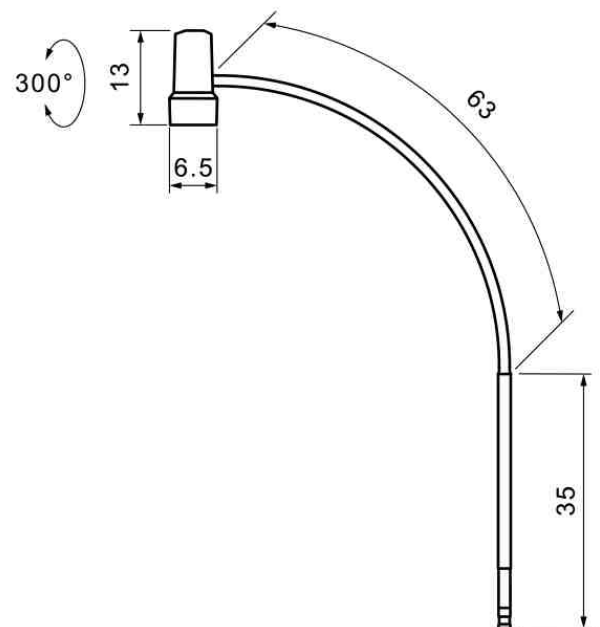
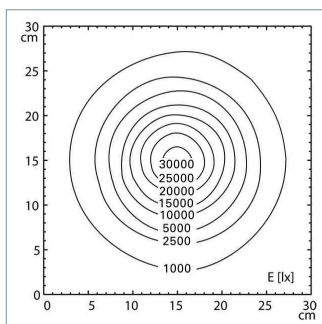
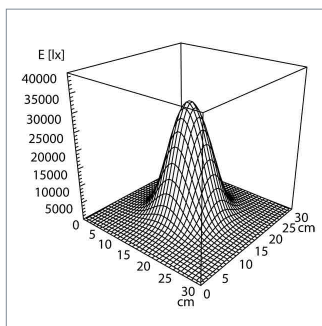
fitted with
illuminance field @ 50cm
illuminance @ 50cm
color rendering index (CRI)
color temperature
work equipment
mains lead
luminaire body

weight (net)
power consumption
usage
balance of articulation joints
class of protection
accessory

norms
special features
fastening
mounting included
order number

LED module - energy efficiency category A+
 Ø 18cm
 30,000lx
 > 93
 4400K
 electronic plug-in transformer
 approx. 5.6ft (1.7m)
 polycarbonate & acrylonitrile butadiene
 styrene copolymer (PC & ABS)
 approx. 2.9lbs (1.3kg)
 8W
 keypad at luminaire head
 friction
 II
 roll support, rail fastening with removal
 protection, table clamp with removal
 protection, universal fastening with removal
 protection, extension arm with removal
 protection, wall bracket with removal
 protection
 EN 60601-1; EN 60601-2-41
 continuously dimmable, maintenance free
 fastening pin (Ø 16mm)
 table clamp
 D15990100 - pure white

light distribution



Examination Luminaire HALUX N30-1 P SV

D15990110

Waldmann **W**

ENGINEER OF LIGHT.



Derungs **D**
LIGHT FOR PEOPLE

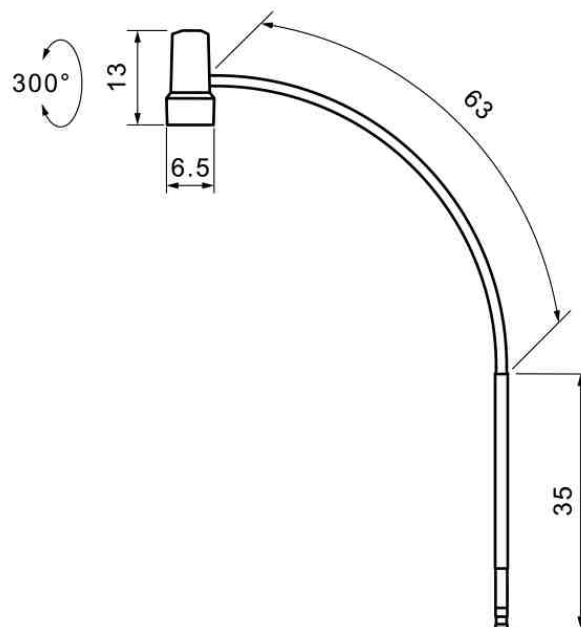
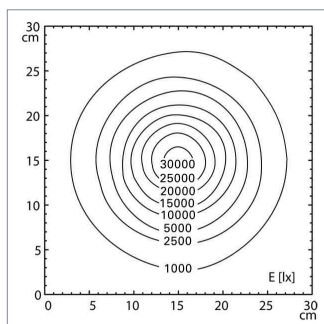
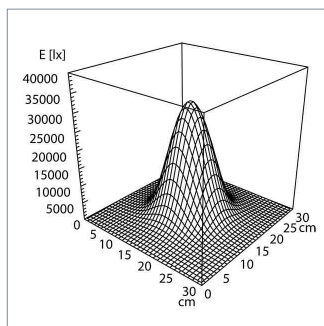
fitted with
illuminance field @ 50cm
illuminance @ 50cm
color rendering index (CRI)
color temperature
work equipment
mains lead
luminaire body

weight (net)
power consumption
usage
balance of articulation joints
class of protection
accessory

norms
special features
fastening
mounting included
order number

LED module - energy efficiency category A+
Ø 18cm
30,000lx
> 93
4400K
electronic plug-in transformer
approx. 5.6ft (1.7m)
polycarbonate & acrylonitrile butadiene
styrene copolymer (PC & ABS)
approx. 2.9lbs (1.3kg)
8W
keypad at luminaire head
friction
II
roll support, rail fastening with removal
protection, table clamp with removal
protection, universal fastening with removal
protection, extension arm with removal
protection, wall bracket with removal
protection
EN 60601-1; EN 60601-2-41
continuously dimmable, maintenance free
fastening pin (Ø 16mm)
floorstand
D15990110 - pure white

light distribution



Examination Luminaire
HALUX N30-1 P SV
 # D15990120



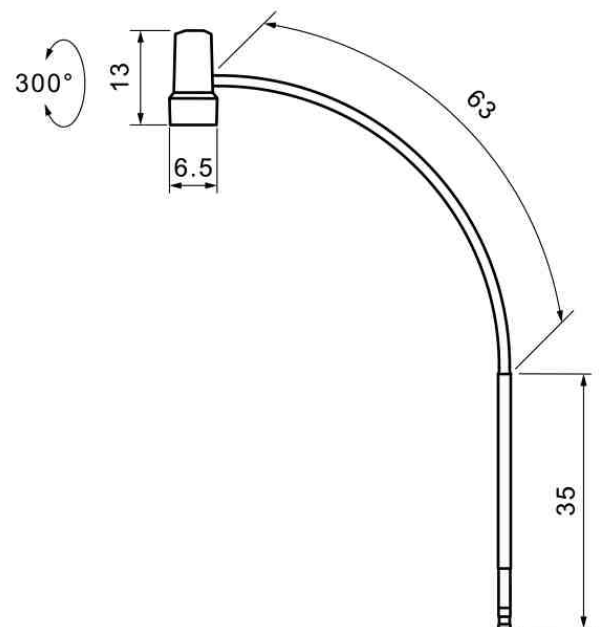
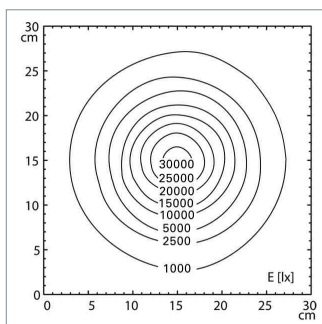
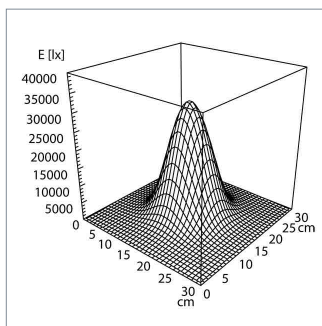
fitted with
illuminance field @ 50cm
illuminance @ 50cm
color rendering index (CRI)
color temperature
work equipment
mains lead
luminaire body

weight (net)
power consumption
usage
balance of articulation joints
class of protection
accessory

norms
special features
fastening
mounting included
order number

LED module - energy efficiency category A+
 Ø 18cm
 30,000lx
 > 93
 4400K
 electronic plug-in transformer
 approx. 5.6ft (1.7m)
 polycarbonate & acrylonitrile butadiene
 styrene copolymer (PC & ABS)
 approx. 2.9lbs (1.3kg)
 8W
 keypad at luminaire head
 friction
 II
 roll support, rail fastening with removal
 protection, table clamp with removal
 protection, universal fastening with removal
 protection, extension arm with removal
 protection, wall bracket with removal
 protection
 EN 60601-1; EN 60601-2-41
 continuously dimmable, maintenance free
 fastening pin (Ø 16mm)
 wall mount
 D15990120 - pure white

light distribution



Examination Luminaire HALUX N30-1 P SV

D15990130

Waldmann **W**

ENGINEER OF LIGHT.



Derungs 
LIGHT FOR PEOPLE

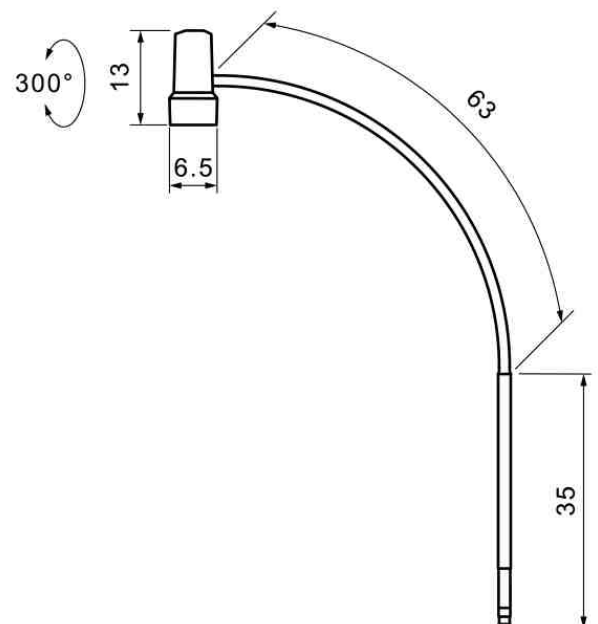
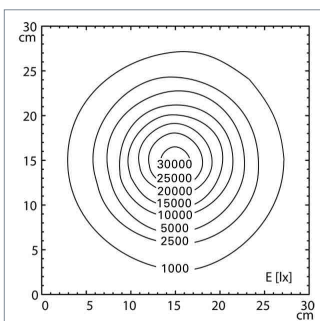
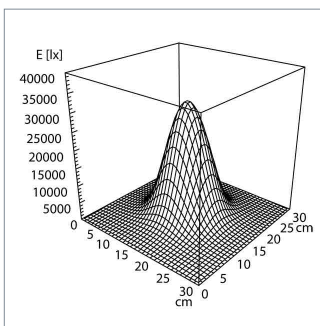
fitted with
illuminance field @ 50cm
illuminance @ 50cm
color rendering index (CRI)
color temperature
work equipment
mains lead
luminaire body

weight (net)
power consumption
usage
balance of articulation joints
class of protection
accessory

norms
special features
fastening
mounting included
order number

LED module - energy efficiency category A+
Ø 18cm
30,000lx
> 93
4400K
electronic plug-in transformer
approx. 5.6ft (1.7m)
polycarbonate & acrylonitrile butadiene
styrene copolymer (PC & ABS)
approx. 2.9lbs (1.3kg)
8W
keypad at luminaire head
friction
II
roll support, rail fastening with removal
protection, table clamp with removal
protection, universal fastening with removal
protection, extension arm with removal
protection, wall bracket with removal
protection
EN 60601-1; EN 60601-2-41
continuously dimmable, maintenance free
fastening pin (Ø 16mm)
wall mount, extended arm
D15990130 - pure white

light distribution



Examination Luminaire
HALUX N30-1 P SV
 # D15990150



fitted with
illuminance field @ 50cm
illuminance @ 50cm
color rendering index (CRI)
color temperature
work equipment
mains lead
luminaire body

weight (net)
power consumption
usage
balance of articulation joints
class of protection
accessory

LED module - energy efficiency category A+
 Ø 18cm
 30,000lx
 > 93
 4400K
 electronic plug-in transformer
 approx. 5.6ft (1.7m)
 polycarbonate & acrylonitrile butadiene
 styrene copolymer (PC & ABS)
 approx. 2.9lbs (1.3kg)
 8W
 keypad at luminaire head
 friction
 II
 roll support, rail fastening with removal
 protection, table clamp with removal
 protection, universal fastening with removal
 protection, extension arm with removal
 protection, wall bracket with removal
 protection
 EN 60601-1; EN 60601-2-41
 continuously dimmable, maintenance free
 fastening pin (Ø 16mm)
 rail mount
 D15990150 - pure white



norms
special features
fastening
mounting included
order number

light distribution

