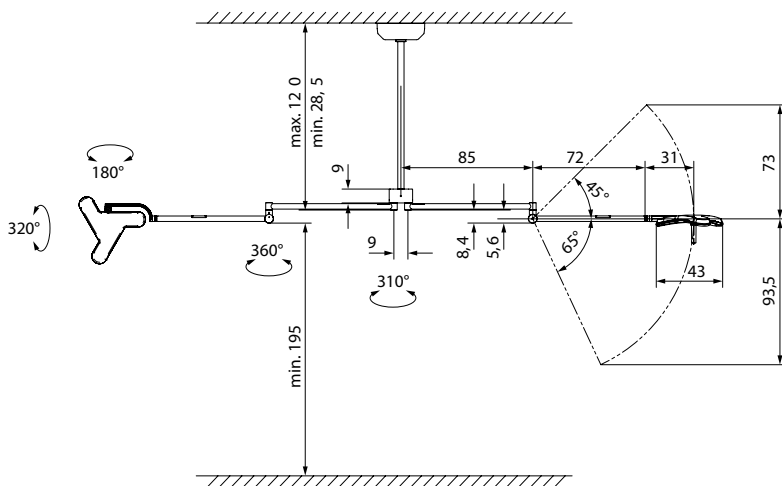




- light source**
- work equipment**
- connected load**
- power consumption**
- color temperature**
- color rendering index (CRI)**
- luminous power**
- illumination area**
- luminaire body**
- weight (net)**
- usage**
- technology**
- balance of articulation joints**
- protection rating**
- class of protection**
- standards met**
- mains lead**
- accessories**
- mounting**
- special features**

LED module
 electronic plug-in transformer
 100-240 V, 50/60 Hz
 2 x 40 W
 variable, 3700 K / 4300 K / 4700 K
 >95
 2 x 100 000 lux / 1.0 m
 variable, 18cm (7.1 in) / 23cm (9.1 in) /
 28cm (11.0 in) @ 1.0m
 polyamide (PA)
 66.1 lbs (30 kgs)
 touch panel on cardanic system
 single-pole secondary
 spring (weight compensation)
 IP 43 (luminaire head)
 I
 EN 60601-1, EN 60601-2-41
 direct power supply
 sterilizable hand, intermediate ceiling adapter
 ceiling mount, ceiling tube can be cut on site
 (length: 25-120cm / 9.8-47.2 in)
 diamond optics, sterilizable handle,
 maintenance-free, high quality arm system,
 dimmable



light distribution

