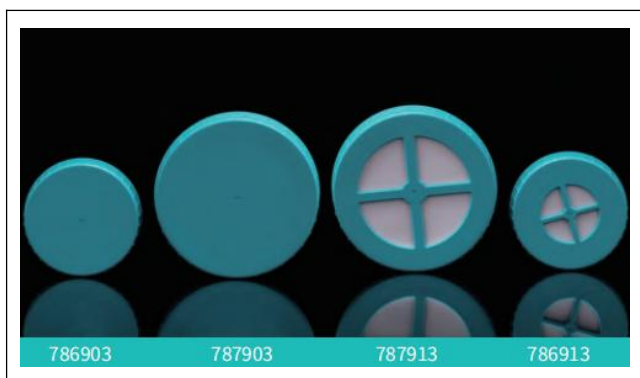


<b>Product Name:</b>	<b>Erlenmeyer Flask/High Efficiency Erlenmeyer Flask Cap Accessories</b>
<b>Product Application:</b>	<ol style="list-style-type: none"> <li>1. Suitable for Erlenmeyer Flasks and High Efficiency Erlenmeyer Flasks.</li> <li>2. 0.22µm PTFE gas-permeable membrane inside the cap, preventing bacteria and ensuring gas exchange.</li> <li>3. Individually packed, easy to use.</li> </ol>
<b>Product Materials:</b>	<b>Cap: PP; Membrane: PTFE</b>
<b>product Specifications:</b>	<p>Temperature range: stored at room temperature</p> <p>Shelf life: 5 Years after date of production ( ensure package is in good )</p>
<b>Sterilization:</b>	YES
<b>BSE/TSE:</b>	These products are deemed animal free.
<b>Performance Testing:</b>	<p>Each manufacturing lot is sampled and tested in accordance with standard operating procedures.</p> <p>Appearance inspection: pass      Packaging inspection: pass</p>
<b>Features</b>	<ol style="list-style-type: none"> <li>1. The cap is made of polypropylene (PP) and complies with USP Class VI.</li> <li>2. Individually packaged.</li> <li>3. DNase/RNase, pyrogen and endotoxin free.</li> <li>4. Electron beam sterilisation.</li> <li>5. Suitable for NEST Erlenmeyer Flasks.</li> </ol>

Product Picture



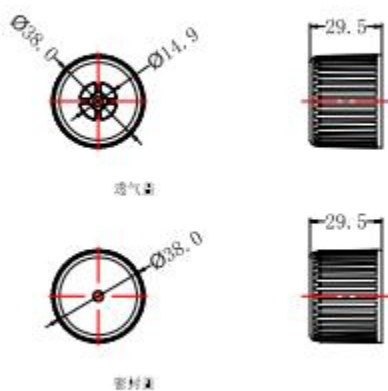


## Product Range

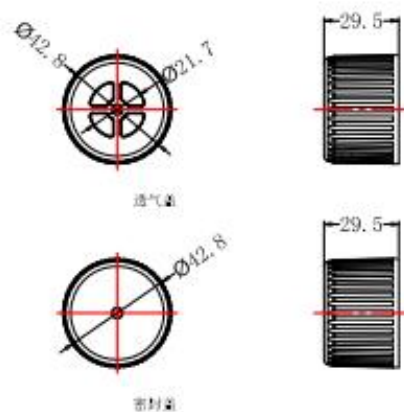
Cat.No.	Description	/Pack	/Case
781925	Seal Cap for 125mL PC/PETG Erlenmeyer Flasks	1	25
781935	Vent Cap for 125mL PC/PETG Erlenmeyer Flasks	1	25
782925	Seal Cap for 250mL PC/PETG Erlenmeyer Flasks	1	25
782935	Vent Cap for 250mL PC/PETG Erlenmeyer Flasks	1	25
783925	Seal Cap for 500&1000mL PC/PETG Erlenmeyer Flasks	1	25
783935	Vent Cap for 500&1000mL PC/PETG Erlenmeyer Flasks	1	25
785903	Seal Cap for 2L Erlenmeyer Flasks	1	20
785913	Vent Cap for 2L Erlenmeyer Flasks	1	20
786903	Seal Cap for 3L Conical Erlenmeyer Flasks/2&3L High Efficient Erlenmeyer Flasks	1	20
786913	Vent Cap for 3L Conical Erlenmeyer Flasks/2&3L High Efficient Erlenmeyer Flasks	1	20
787903	Seal Cap for 3L Wide-mouth/5L Erlenmeyer Flasks	1	20
787913	Vent Cap for 3L Wide-mouth/5L Erlenmeyer Flasks	1	20

## Technical Drawing

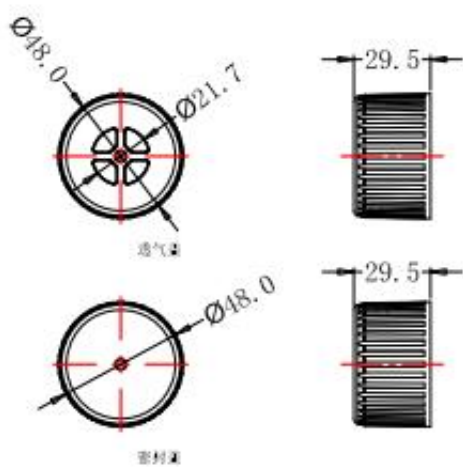
125ml



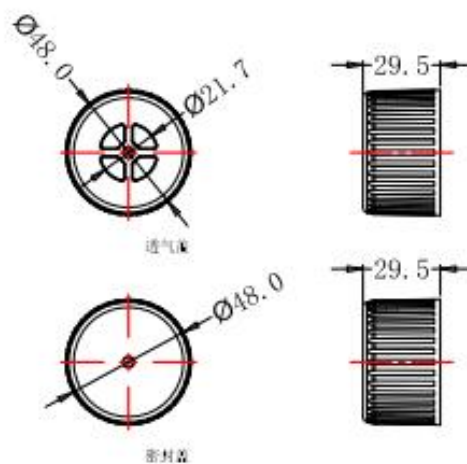
250ml



500ml



1000ml



2/3L

