



Service Parts List

Click on the model being serviced

[Document Update](#)

[Draftshield](#)

[AC Adapter](#)

AX85	AX85M
AX125D	AX125DM
AX225D	AX225DM

AX124	AX124M	AX224N	AX124/E
AX224	AX224M		AX224/E
AX324	AX324M		

AX223	AX223M	AX423N
AX423	AX423M	
AX523	AX523M	
AX623	AX623M	

AX223/E	AX223N/E
AX423/E	AX423N/E
AX523/E	AX523N/E
	AX623N/E

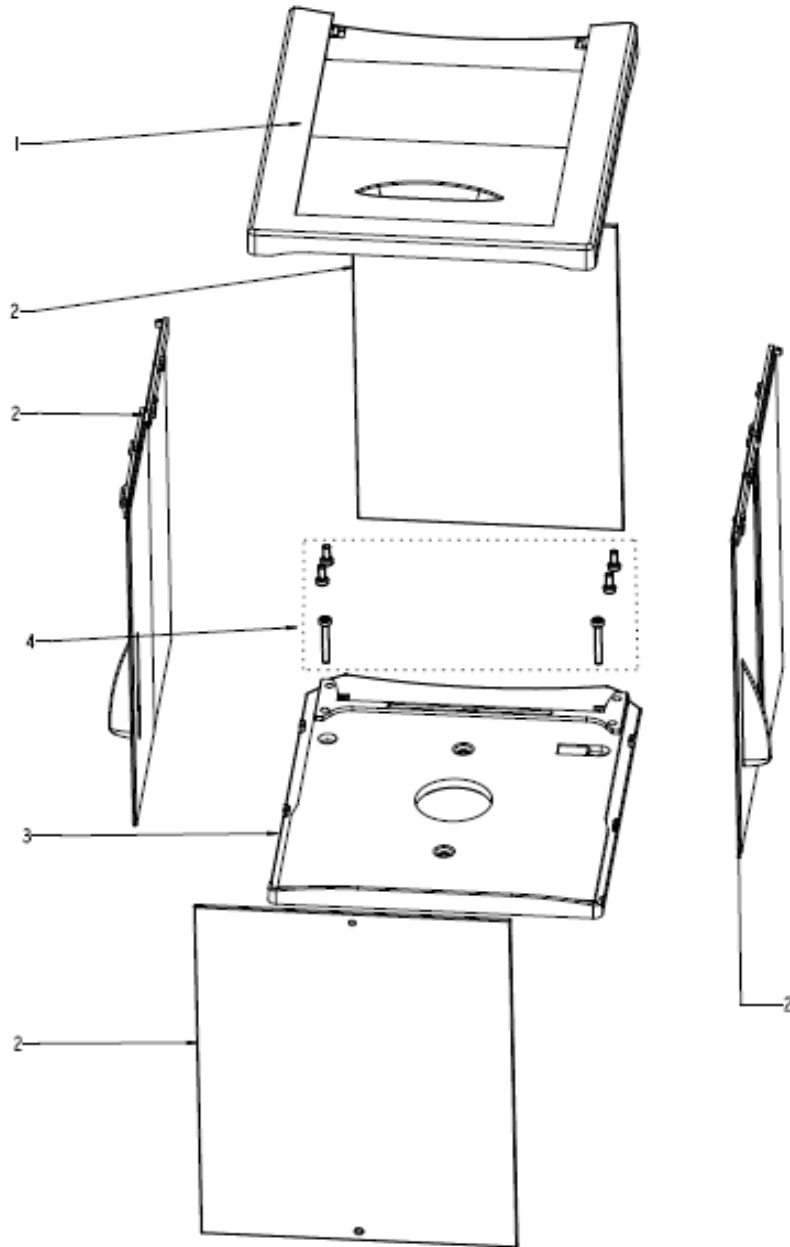
AX422	
AX622	
AX822	
AX1502	AX1502M
AX2202	AX2202M
AX4202	AX4202M
AX6202	AX6202M
AX2201	
AX4201	

AX422/E	
AX622/E	AX622N/E
AX822/E	
AX1502/E	AX1502N/E
AX2202/E	AX2202N/E
AX4202/E	AX4202N/E
AX6202/E	
AX2201/E	AX4202N/EGN
AX4201/E	

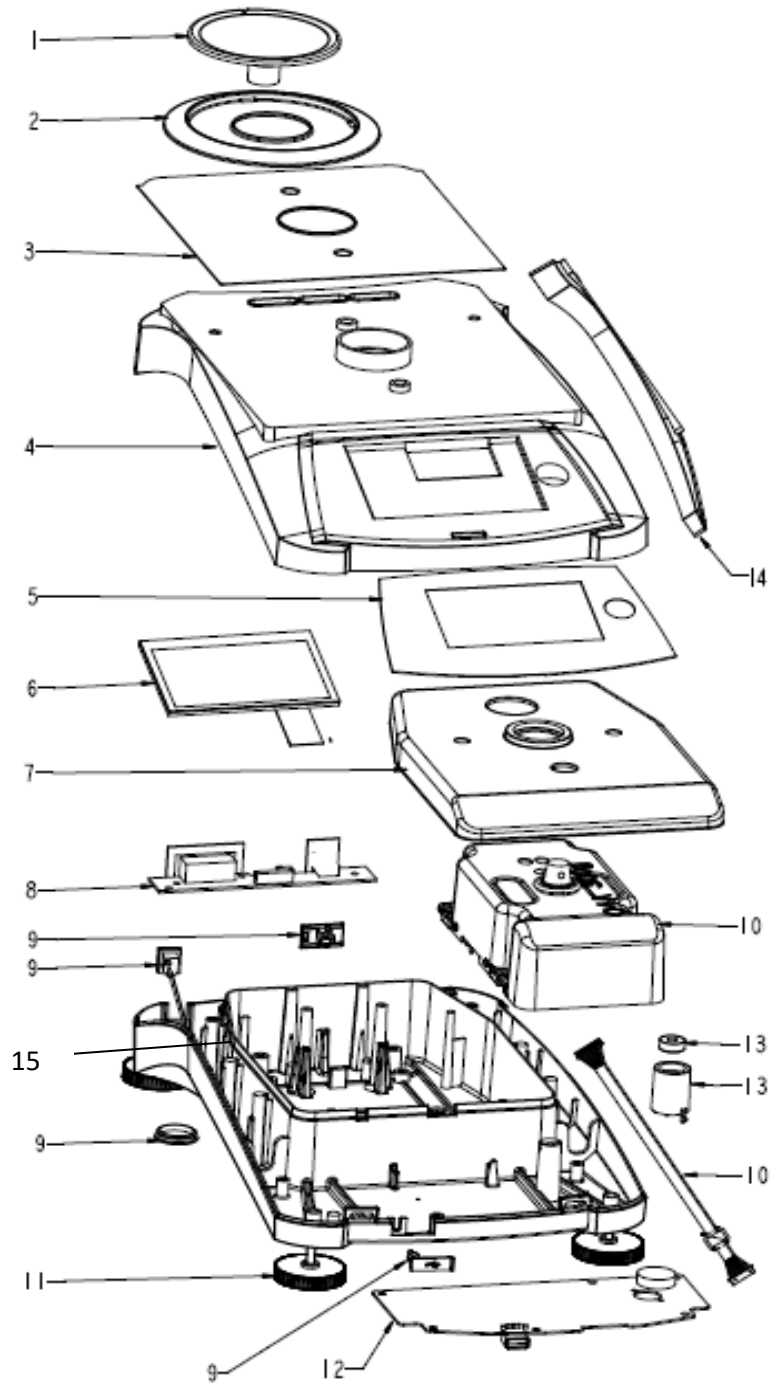
AX8201/E	AX8201N/E
AX12001/E	AX12001N/E

AX5202	AX5202M
AX5202N/EGN	
AX8201	AX8201M
AX12001	AX12001M

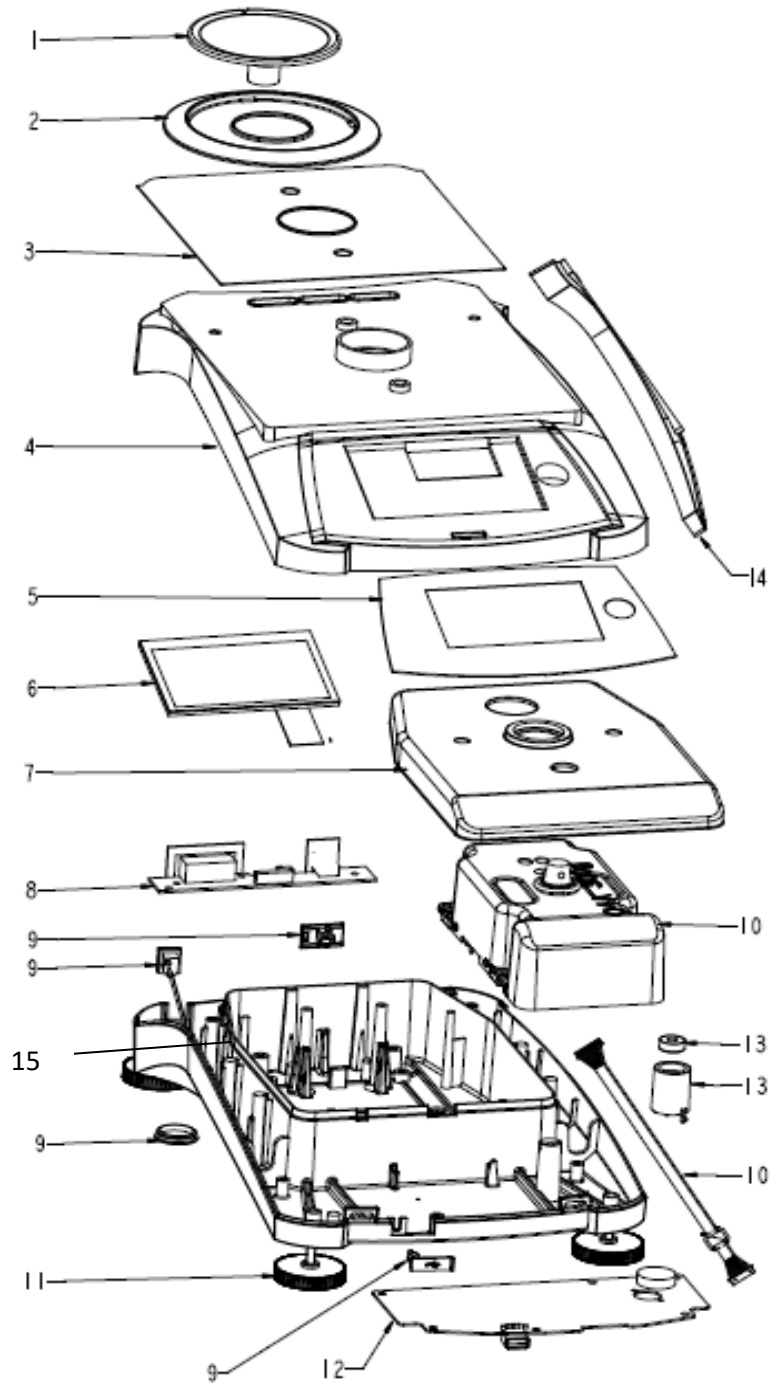
Date	Update	
March, 6 2017	Added below	
	30401668	Keypad, VWR, AX
	30236913	SP, Feet, Grey, x2, PA (for VWR ONLY)
June, 20 2018	Add new model AX422, AX822, AX2201, AX422/E, AX822/E, AX2201/E	
Apr, 26 2019	Update the box of 3 and 1 place AX to 12103259	
	Delete LCD 30111773	
	Add new model AX4202N/EGN, AX5202N/EGN	
	Replace 30007681 with PWR,ACCES,AC-PRONG,KR 30529326	
	Replace 46001774 with PWR,ACCES,AC-PRONG,EU 30529327	
	Replace 46001775 with PWR,ACCES,AC-PRONG,AU 30529348	
	Replace 46001777 with PWR,ACCES,AC-PRONG,UK 30529349	
	Replace 46001731 with PWR,W,IN,10W,12VDC,S21x55x10x100,S 30529325	
Nov, 20 2019	Replace 30042879 with InCal Drive with Cable ME 30529324	
May, 26 2021	Add Bottom housing 30576056 for AX8201/E and 4 place models	
	Add the new loadcell 30449067, 30449066, 30452478, 30452479, 30452480,30452481, 30678420 and 30678421	
Aug, 17 2022	Add the new pan 30372505 and new bottom housing 30677383	
Apr, 13 2023	Replace the Box 12103259 with 30372456 for 3 and 4 place models	
Jul, 19 2023	Correct the link for model AX4202N/EGN	
	Add model AX85, AX85M, AX125D, AX125DM, AX225D, AX225DM, AX623, AX623M, AX623N/E, AX6202, AX6202M, AX6202/E, AX12001/E, AC12001N/E, AX12001 and AX12001M	



Drawing Item	Part Number	Description
1	30111789	SP Assembly Top Frame, AX
2	30111786	SP Glasses Kit, AX
3	30111788	SP Plate Bottom, AX
4	30111782	SP Hardware Kit, AX

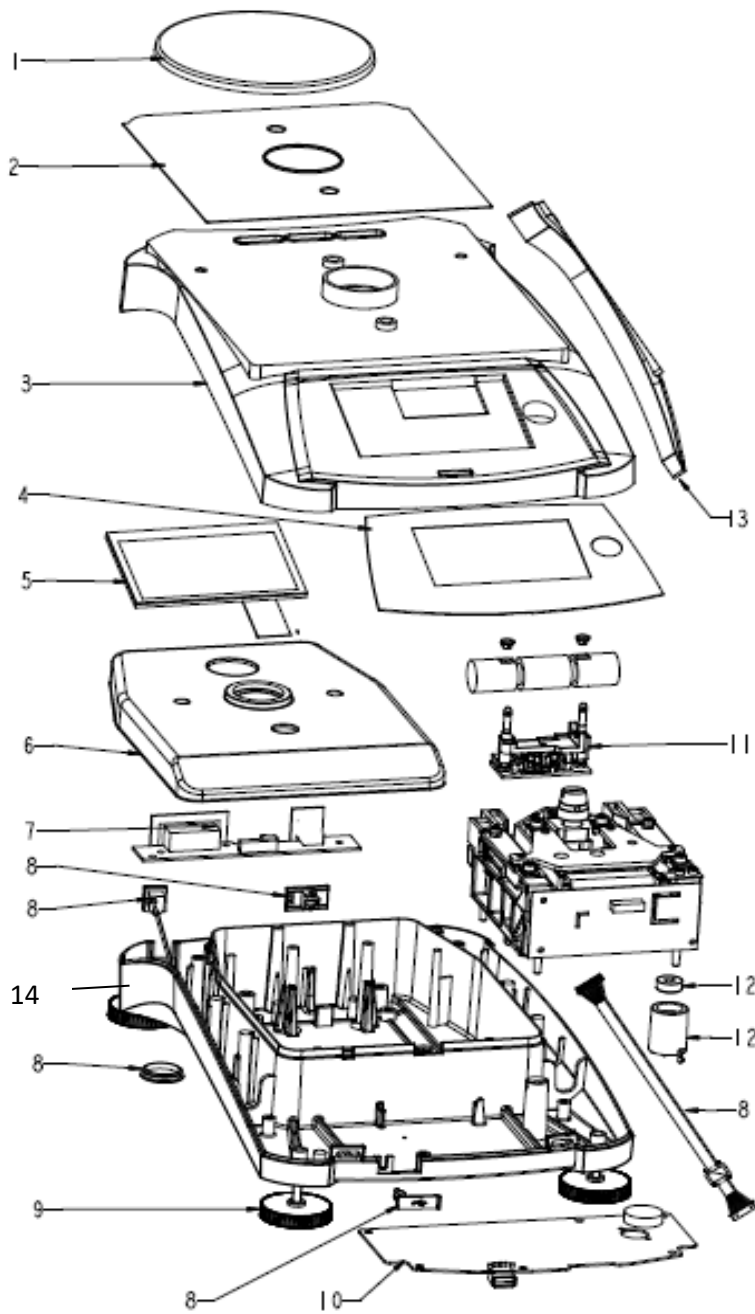


Drawing Item	Part Number	Description	Comments
1	30889260	Pan D80 AX	
2	30889261	Wind ring semi-micro AX	
3	30111787	SP Plate EMC DS, AX	
4	30111774	SP Housing Top DS, AX	
5	30111768	SP Keypad EN, AX	
	30111769	SP Keypad CN, AX	
	30111770	SP Keypad JP, AX	
6	30111772	SP LCD 4.3-with-cable-TP, Axm (req new Keypad)	
7	30111778	SP Shield LC Ferrite, AX	
8	30111780	SP PCBA RS, AX	
9	30111783	SP Cable kit, AX	
10	30852838	Loadcell ODLOI0200G5-6C	For AX85x, AX125Dx, AX225Dx
11	30111785	SP feet 4pcs kit, AX	
	30236913	SP, Feet, Grey, x2, PA (for VWR ONLY)	
12	30111779	SP PCBA Main, AX	
13	30111776	SP Bubble Kit, AX	
14	30111792	SP In User-Cover DS, AX	
15	30677383	Housing Bottom O4A with Bubble, AX (new)	
NS	30372456	Box, DS, PX, AX	
NS	30111790	SP Package DS AX	



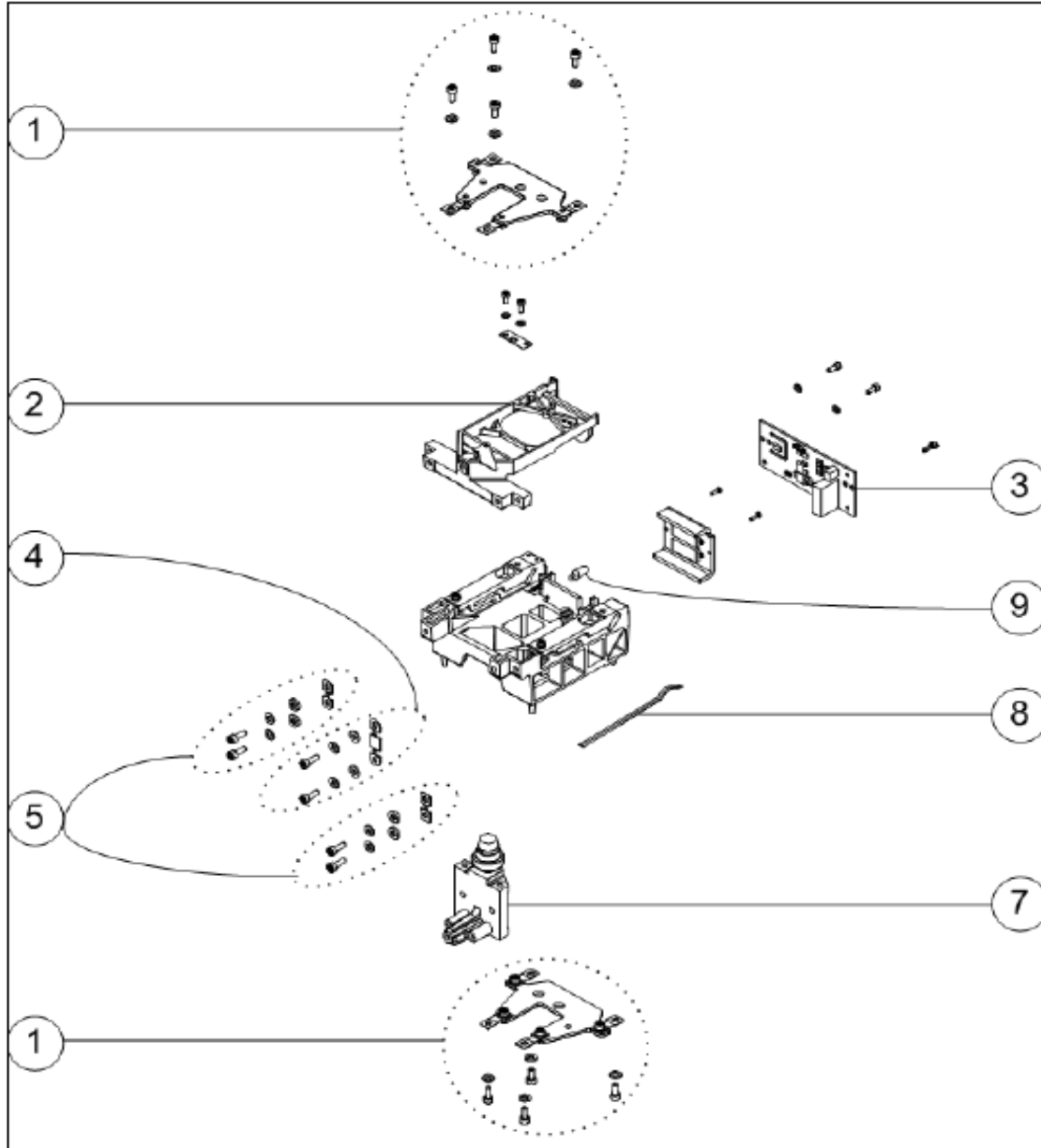
Drawing Item	Part Number	Description	Comments
1	83033640	Pan Assy, 90mm EX	
	30372505	D90 PAN KIT, PX (new)	For the new Loadcell
2	83033645	Wind ring, 90mm	
3	30111787	SP Plate EMC DS, AX	
4	30111774	SP Housing Top DS, AX	
5	30111768	SP Keypad EN, AX	
	30111769	SP Keypad CN, AX	
	30111770	SP Keypad JP, AX	
	30111771	SP Keypad RU, AX	
	30111803	SP Keypad GRAIN, AX	
	30401668	Keypad, VWR, AX	
6	30111772	SP LCD 4.3-with-cable-TP, Axm (req new Keypad)	
7	30111778	SP Shield LC Ferrite, AX	
8	30111780	SP PCBA RS, AX	
9	30111783	SP Cable kit, AX	
10	30111796	SP Load Cell NMBAI0100G4-7C	For the old AX124x, AX124/E
	30111801	SP Load Cell LMBAI0200G4-3C	For the old AX224x, AX224/E
	30449067	Load Cell ODLOI0200G4-4C (new)	For the new AX124x, AX224x
	30449066	Load Cell ODLON0200G4-4C (new)	For the new AX124/E, AX224/E
	30111802	SP Load Cell OMBAI0400G4-2C	For AX324x
11	30111785	SP feet 4pcs kit, AX	
	30236913	SP, Feet, Grey, x2, PA (for VWR ONLY)	
12	30111779	SP PCBA Main, AX	
13	30111776	SP Bubble Kit, AX	
14	30111792	SP In User-Cover DS, AX	
15	30576056	Housing Bot-O4A AX (old)	
	30677383	Housing Bottom O4A with Bubble, AX (new)	For the new Loadcell
NS	42103259	Box precision balance Tall DS. AV/SL	Phase out
	30372456	Box, DS, PX, AX	
NS	30111790	SP Package DS AX	

Note: Since May 2021, LC has been updated for the models AX124, AX124/E, AX224, AX224/E, (no changes on AX324), the new LC should use with the new bottom housing 30677383 and new pan 30372505.

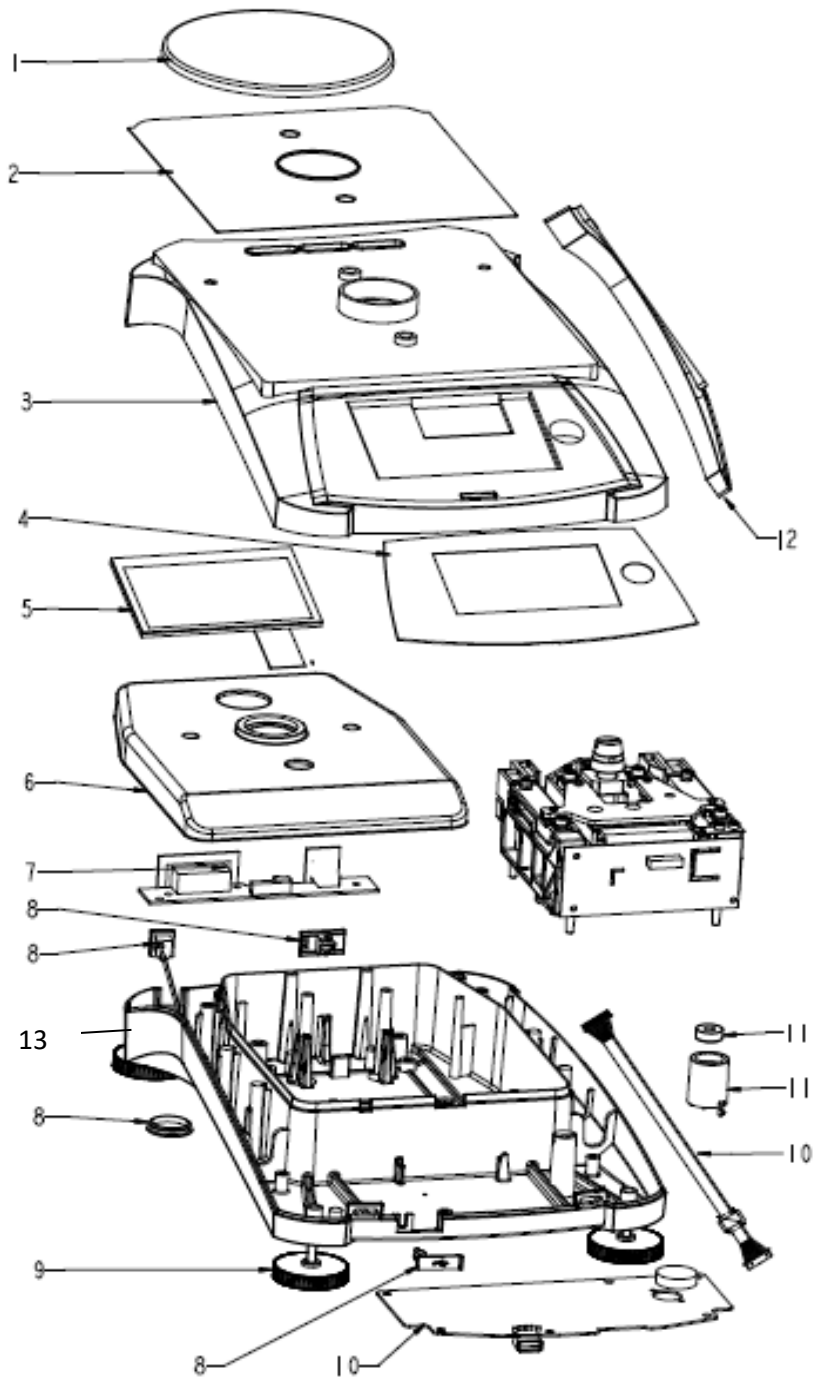


Drawing Item	Part Number	Description	Comments
1	30111793	SP Assembly Pan 130mm, AX	
2	30111787	SP Plate EMC DS, AX	
3	30111774	SP Housing Top DS, AX	
4	30111768	SP Keypad EN, AX	
	30111769	SP Keypad CN, AX	
	30111770	SP Keypad JP, AX	
	30111771	SP Keypad RU, AX	
	30111803	SP Keypad GRAIN, AX	
	30401668	Keypad, VWR, AX	
5	30111772	SP LCD 4.3-with-cable-TP, Axm (req new Keypad)	
6	30111778	SP Shield LC Ferrite, AX	
7	30111780	SP PCBA RS, AX	
8	30111783	SP Cable kit, AX	
9	30111785	SP feet 4pcs kit, AX	
	30236913	SP, Feet, Grey, x2, PA (for VWR ONLY)	
10	30111779	SP PCBA Main, AX	
11	30529324	IntCal drive with cable IntCal drive (without weights)	
12	30111776	SP Bubble Kit, AX	
13	30111792	SP In User-Cover DS, AX	
14	30677383	Housing Bottom O4A with Bubble, AX (new)	For the new Loadcell
NS	30452478	Load Cell ODNOI0600G3-4C (new)	For the new AX223x, AX423x, AX523x, AX623x
NS	42403259	Box precision balance Tall DS- AV/SL	Phase out
	30372456	Box, DS, PX AX	
NS	30111790	SP Package DS AX	

Note: Since May 2021, LC has been updated for the models AX223, AX423, AX523, the new LC should use with the new bottom housing 30677383.

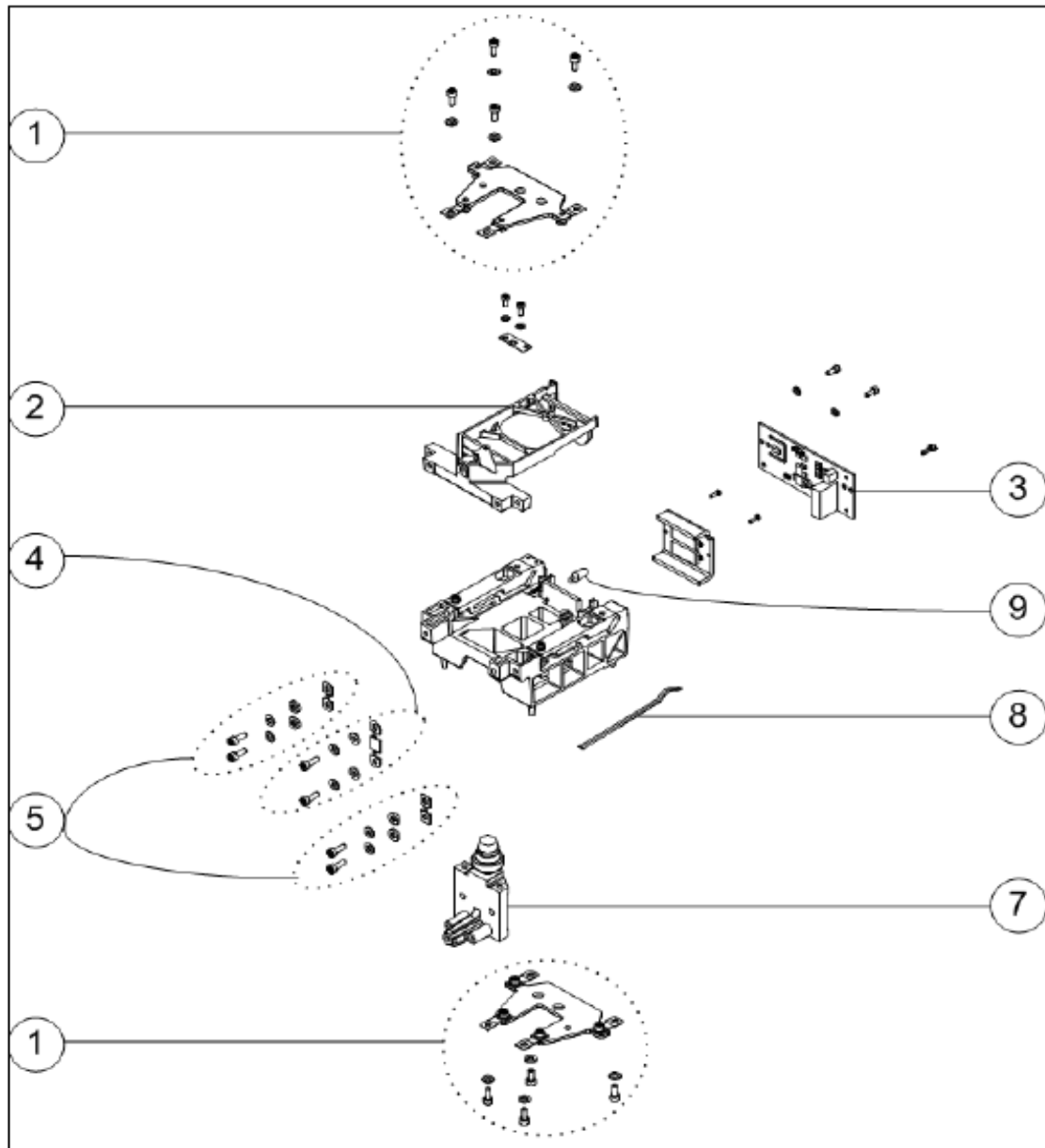


Drawing Item	Part Number	Description	Comments
1	83020829	SP Flexure Arm Assembly Pre PA, AX	For the old AX223x, AX423x, AX523x
2	12105331	Ratio Beam w/Coil, ARxx3x, ARR70, AX 3 Decimal	
3	30111804	SP, PCBA, Alli-LC, AX Precision	
4	12123458	SP Copper 4kg linker flex kit, 3pcs kit	
5	12123455	SP copper ratio flexure 400g, 6pcs kit	
7	12105333	Beam, ARxx3x, ARR70, AX 3 Decimal	
8	12105362	Cable, Coil, Ribbon, Adv, PA, AX	
9	12105335	Light source, Position Sensor, Adv,PA, AX	

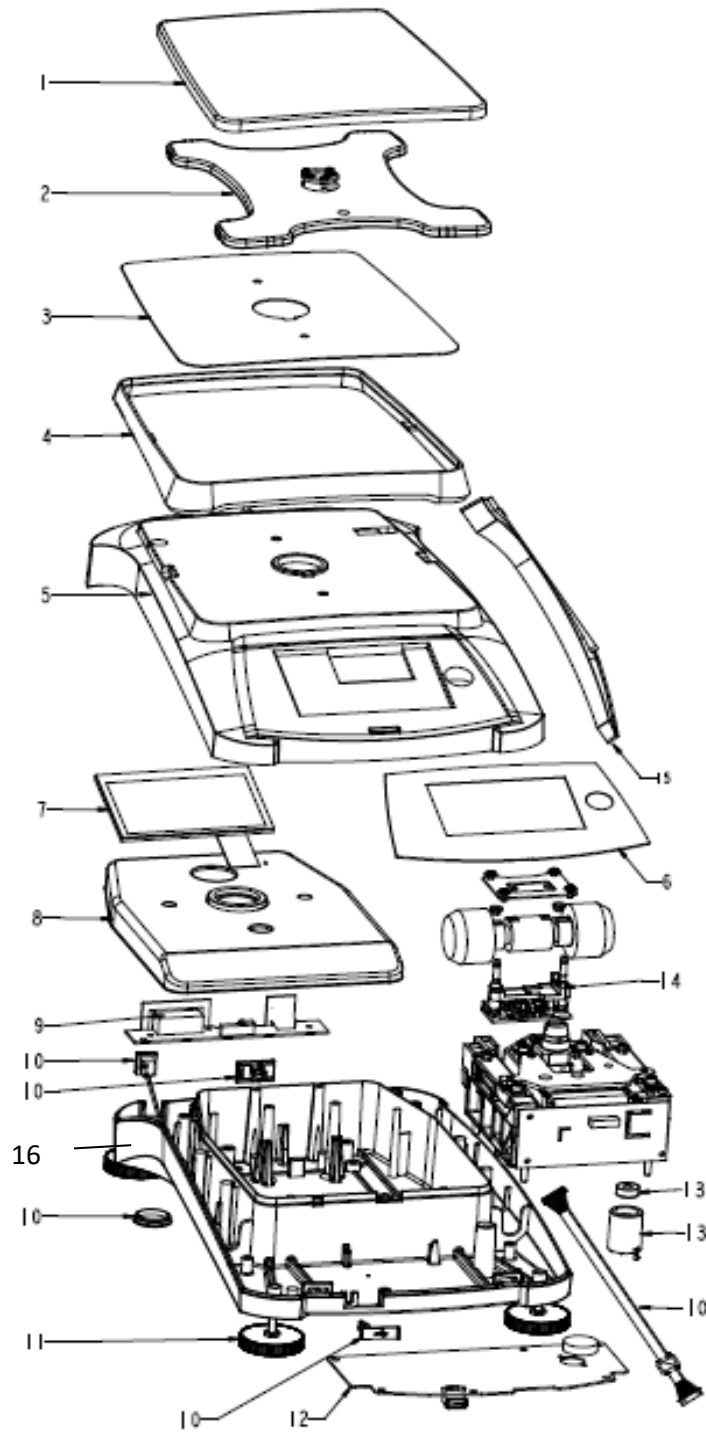


Drawing Item	Part Number	Description	Comments
1	30111793	SP Assembly Pan 130mm, AX	
2	30111787	SP Plate EMC DS, AX	
3	30111774	SP Housing Top DS, AX	
4	30111768	SP Keypad EN, AX	
4	30111769	SP Keypad CN, AX	
4	30111770	SP Keypad JP, AX	
4	30111771	SP Keypad RU, AX	
4	30111803	SP Keypad GRAIN, AX	
5	30111772	SP LCD 4.3-with-cable-TP, Axm (req new Keypad)	
6	30111778	SP Shield LC Ferrite, AX	
7	30111780	SP PCBA RS, AX	
8	30111783	SP Cable kit, AX	
9	30111785	SP feet 4pcs kit, AX	
10	30111779	SP PCBA Main, AX	
11	30111776	SP Bubble Kit, AX	
12	30111792	SP In User-Cover DS, AX	
13	30677383	Housing Bottom O4A with Bubble, AX (new)	For the new Loadcell
NS	30452479	Load Cell ODNON0500G3-4C (new)	For the new AX223x/E, AX423x/E, AX523x/E, AX623N/E
NS	42403259	Box precision balance Tall DS- AV/SL	Phase out
NS	30372456	Box, DS, PX, AX	
NS	30111790	SP Package DS AX	

Note: Since May 2021, LC has been updated for the models AX223/E, AX423/E, AX523/E, the new LC should use with the new bottom housing 30677383.

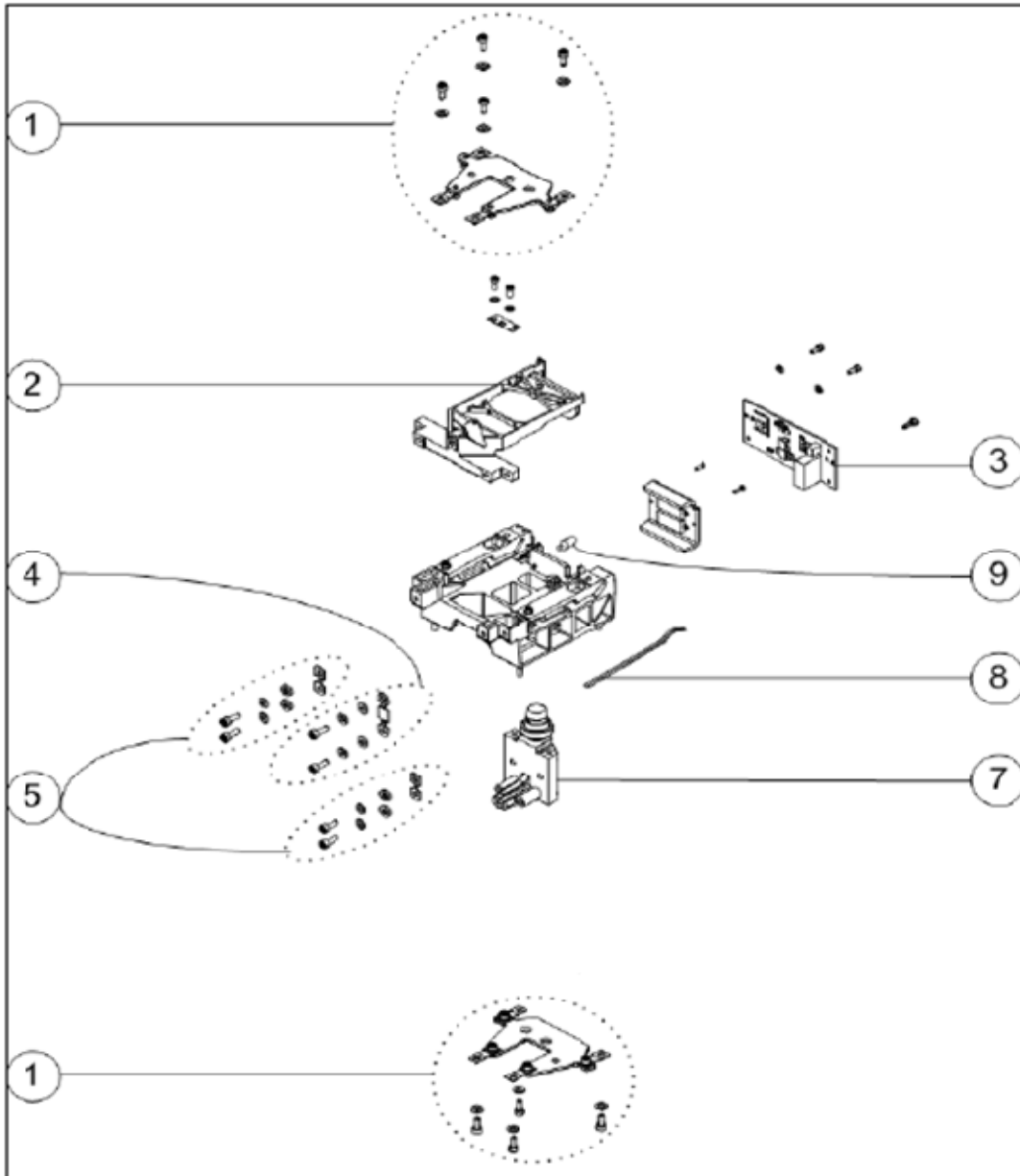


Drawing Item	Part Number	Description	Comments
1	83020829	SP Flexure Arm Assembly Pre PA, AX	For the old AX223x/E, AX423x/E, AX523x/E
2	12105331	Ratio Beam w/Coil, ARxx3x, ARR70, AX 3 Decimal	
3	30111804	SP, PCBA, Alli-LC, AX Precision	
4	12123458	SP Copper 4kg linker flex kit, 3pcs kit	
5	12123455	SP copper ratio flexure 400g., 6pcs kit	
7	12105333	Beam, ARxx3x, ARR70, AX 3 Decimal	
8	12105362	Cable, Coil, Ribbon, Adv, PA, AX	
9	12105335	Light source, Position Sensor, Adv,PA, AX	

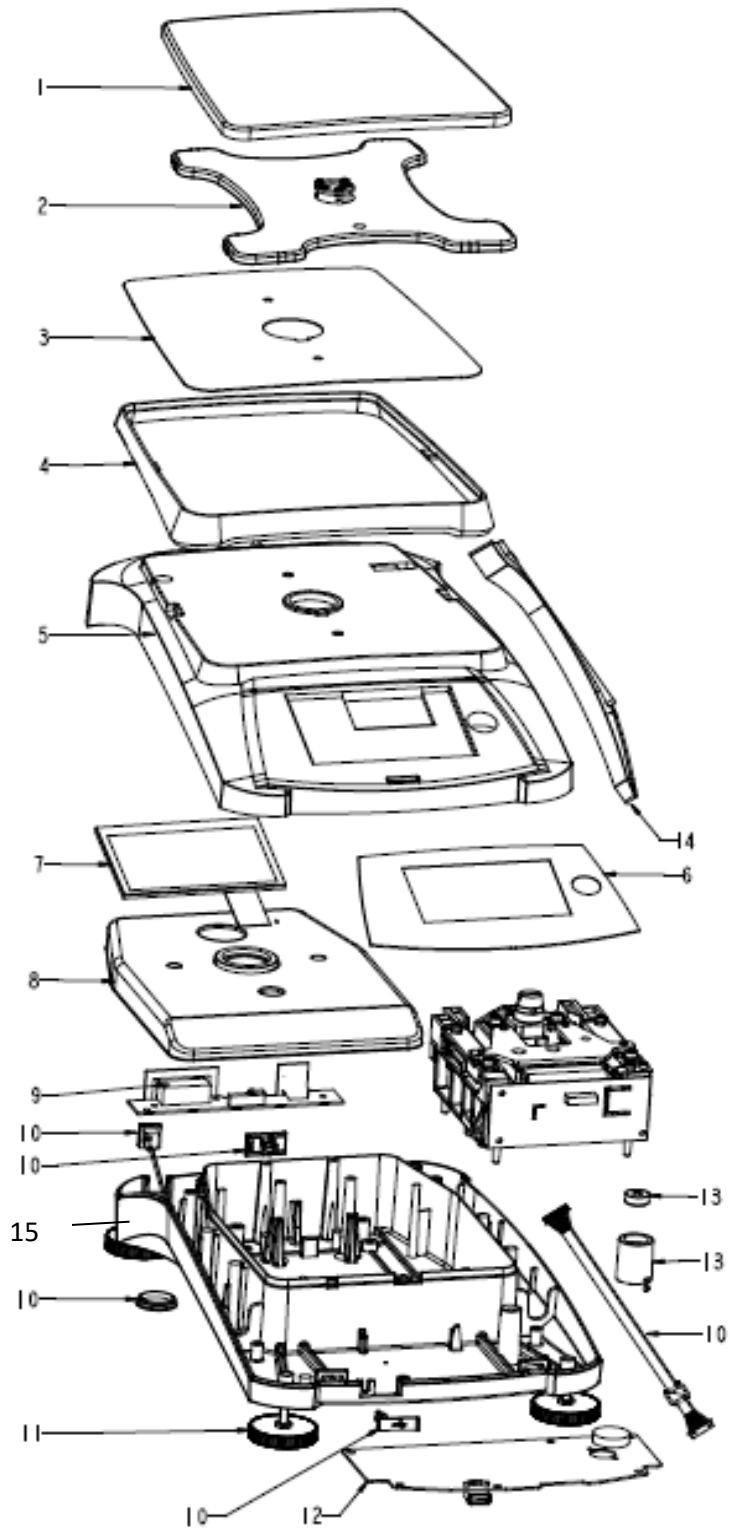


Drawing Item	Part Number	Description	Comments
1	30111765	SP Pan Trapezoid, AX	
2	30111766	SP Pan Support kit Trapezoid, AX	
3	30111767	SP Plate EMC W/O DS, AX	
4	30111795	SP Wind-Ring W/O-DS, AX	
5	30111775	SP Housing Top W/O DS, AX	
6	30111768	SP Keypad EN, AX	
6	30111769	SP Keypad CN, AX	
6	30111770	SP Keypad JP, AX	
6	30111771	SP Keypad RU, AX	
6	30111803	SP Keypad GRAIN, AX	
6	30401668	Keypad, VWR, AX	
7	30111772	SP LCD 4.3-with-cable-TP, Axm (req new Keypad)	
8	30111778	SP Shield LC Ferrite, AX	
9	30111780	SP PCBA RS, AX	
10	30111783	SP Cable kit, AX	
11	30111785	SP feet 4pcs kit, AX	
11	30236913	SP, Feet, Grey, x2, PA (for VWR ONLY)	
12	30111779	SP PCBA Main, AX	
13	30111776	SP Bubble Kit, AX	
14	30529324	IntCal drive with cable IntCal drive (without weights)	
15	30111777	SP In User-Cover WO DS, AX	
16	30677383	Housing Bottom O4A with Bubble, AX (new)	For the new Loadcell
NS	30452480	Load Cell ODNOI5000G2-4C (new)	For the new AX422, AX622, AX822, AX1502x, AX2202x, AX4202x, AX2201, AX4201
	30613538	Load cell ODNOI6000G2-5C	AX6202x
NS	83033669	Box, Topload, EX, AX	
NS	30111791	SP Package W/O Draftsheild AX	

Note: Since May 2021, LC has been updated for the models AX422, AX622, AX822, AX1502, AX2202, AX4202, AX2201 and AX4201, the new LC should use with the new bottom housing 30677383.

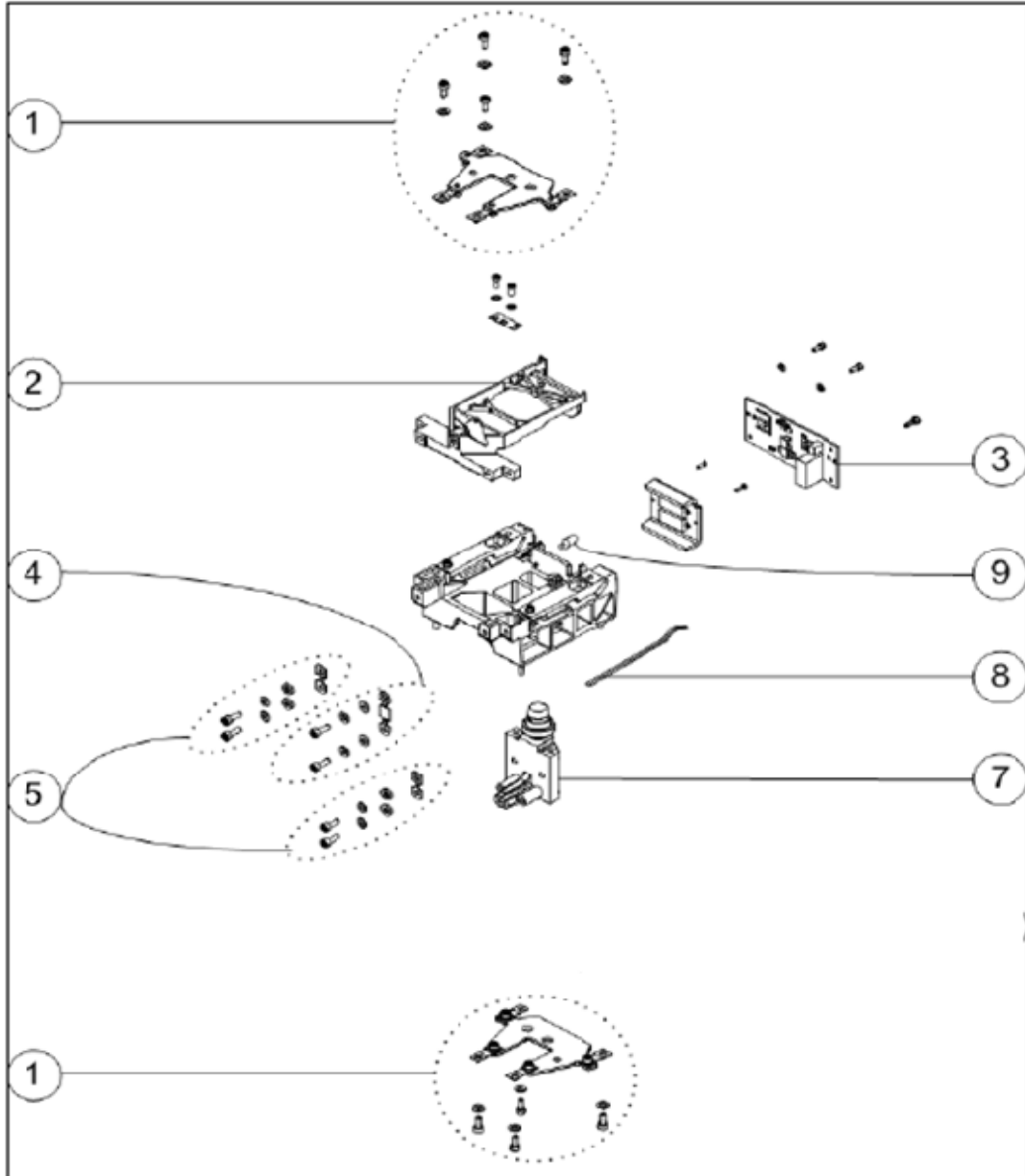


Drawing Item	Part Number	Description	Comments
1	83020829	SP Flexure Arm Assembly Pre PA, AX	For the old AX422, AX622, AX822, AX1502x, AX2202x, AX4202x, AX2201, AX4201
2	12105332	Ratio Beam, 400G Loadcell, Adv, PA, AX 2 & 1 Decimal	
3	30111804	SP, PCBA, Alli-LC, AX Precision	
4	12123458	SP Copper 4kg linker flex kit, 3pcs kit	
5	12123456	SP Copper 4kg ratio flex kit, 6pcs kit	
7	12105334	Beam, 4KG Loadcell, Adv, PA, AX 2 & 1 Decimal	
8	12105362	Cable, Coil, Ribbon, Adv, PA, AX	
9	12105335	Light source, Position Sensor, Adv, PA, AX	

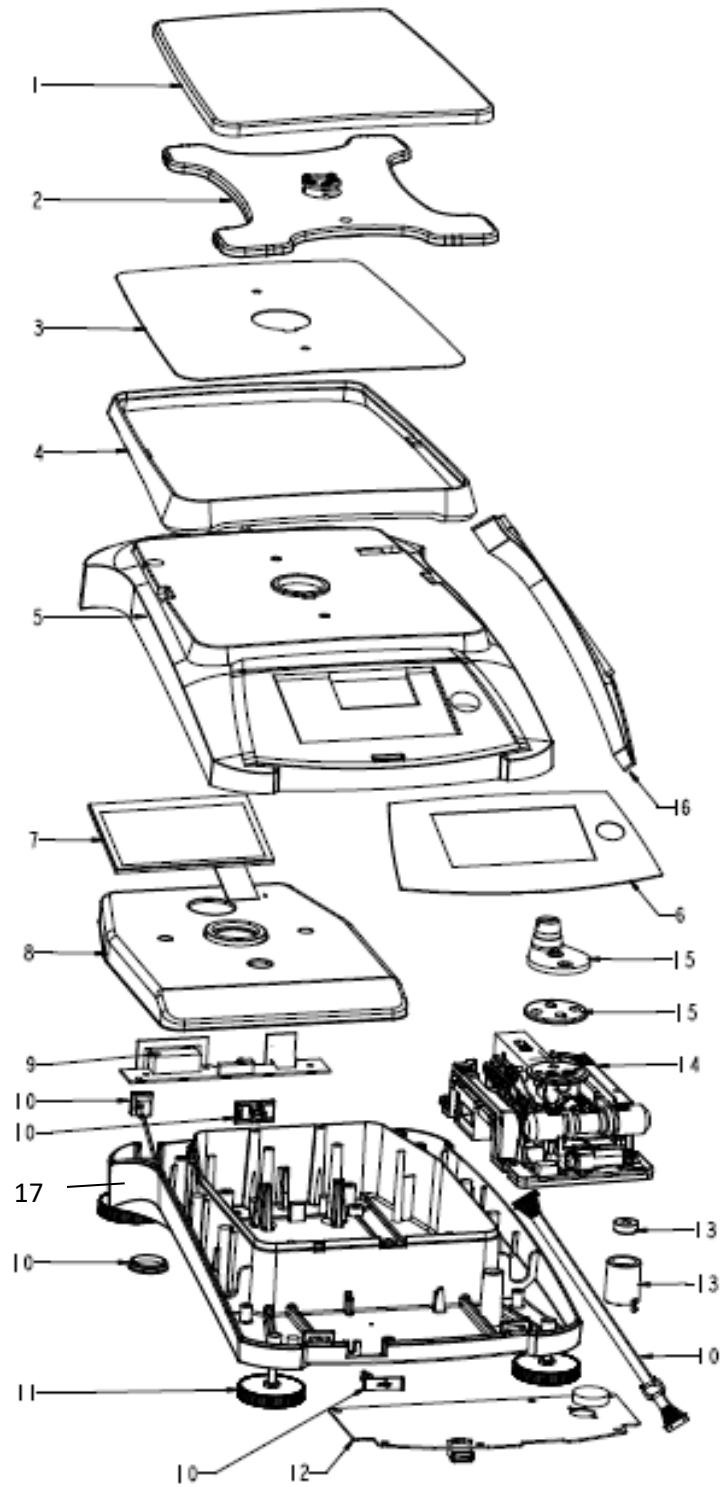


Drawing Item	Part Number	Description	Comments
1	30111765	SP Pan Trapezoid, AX	
2	30111766	SP Pan Support kit Trapezoid, AX	
3	30111767	SP Plate EMC W/O DS, AX	
4	30111795	SP Wind-Ring W/O-DS, AX	
5	30111775	SP Housing Top W/O DS, AX	
6	30111768	SP Keypad EN, AX	
6	30111769	SP Keypad CN, AX	
6	30111770	SP Keypad JP, AX	
6	30111771	SP Keypad RU, AX	
6	30111803	SP Keypad GRAIN, AX	
7	30111772	SP LCD 4.3-with-cable-TP, Axm (req new Keypad)	
8	30111778	SP Shield LC Ferrite, AX	
9	30111780	SP PCBA RS, AX	
10	30111783	SP Cable kit, AX	
11	30111785	SP feet 4pcs kit, AX	
12	30111779	SP PCBA Main, AX	
13	30111776	SP Bubble Kit, AX	
14	30111777	SP In User-Cover WO DS, AX	
15	30677383	Housing Bottom O4A with Bubble, AX (new)	For the new Loadcell
NS	30452481	Load Cell ODNON5000G2-4C (new)	For the new AX422/E, AX622x/E, AX822/E, AX1502x/E, AX2202x/E, AX4202N/EGN, AX4202x/E AX2201/E, AX4201/E
	30619392	Load Cell ODNON6000G2-5C	AX6202x/E
NS	83033669	Box, Topload, EX, AX	
NS	30111791	SP Package W/O DS AX	

Note: Since May 2021, LC has been updated for the models AX422/E, AX622/E, AX822/E, AX1502/E, AX2202/E, AX4202/E, AX2201/E and AX4201/E, the new LC should use with the new bottom housing 30677383.

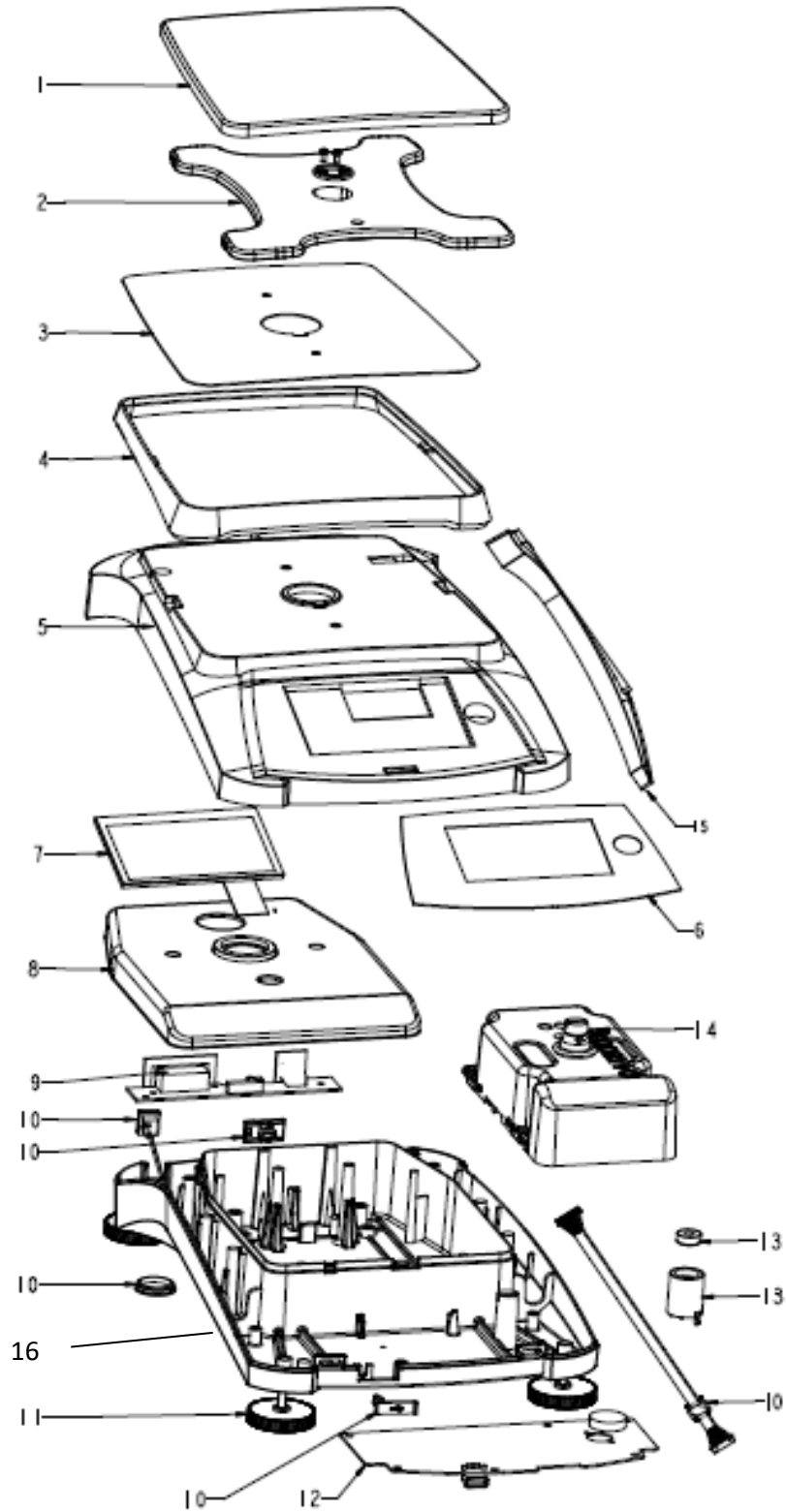


Drawing Item	Part Number	Description	Comments
1	83020829	SP Flexure Arm Assembly Pre PA, AX	For the old AX422/E, AX622x/E, AX822/E, AX1502x/E, AX2202x/E, AX4202x/E, AX2201/E, AX4201/E
2	12105332	Ratio Beam, 400G Loadcell, Adv, PA, AX 2 & 1 Decimal	
3	30111804	SP, PCBA, Alli-LC, AX Precision	
4	12123458	SP Copper 4kg linker flex kit, 3pcs kit	
5	12123456	SP Copper 4kg ratio flex kit, 6pcs kit	
7	12105334	Beam, 4KG Loadcell, Adv, PA, AX 2 & 1 Decimal	
8	12105362	Cable, Coil, Ribbon, Adv, PA, AX	
9	12105335	Light source, Position Sensor, Adv, PA, AX	



Drawing Item	Part Number	Description	Comments
1	30111765	SP Pan Trapezoid, AX	
2	30111766	SP Pan Support kit Trapezoid, AX	
3	30111767	SP Plate EMC W/O DS, AX	
4	30111795	SP Wind-Ring W/O-DS, AX	
5	30111775	SP Housing Top W/O DS, AX	
6	30111768	SP Keypad EN, AX	
6	30111769	SP Keypad CN, AX	
6	30111770	SP Keypad JP, AX	
6	30111771	SP Keypad RU, AX	
6	30111803	SP Keypad GRAIN, AX	
6	30401668	Keypad, VWR, AX	
7	30111772	SP LCD 4.3-with-cable-TP, Axm (req new Keypad)	
8	30111778	SP Shield LC Ferrite, AX	
9	30111780	SP PCBA RS, AX	
10	30111783	SP Cable kit, AX	
11	30111785	SP feet 4pcs kit, AX	
11	30236913	SP, Feet, Grey, x2, PA (for VWR ONLY)	
12	30111779	SP PCBA Main, AX	
13	30111776	SP Bubble Kit, AX	
14	30111798	SP Load Cell IMPDI6000G2-2C, AX5202	For the old AX5202x
	30111799	SP Load Cell IMPDI8000G1-3C, AX8201	For AX8201BR and old AX8201x
	30452480	Load Cell ODNOI5000G2-4C (new)	For the new AX5202x
	30452481	Load Cell ODNON5000G2-4C (new)	For the new AX5202N/EGN
	30678420	Load cell OSOAI12000G1/ OSOAI8000G1 (new)	For the new AX8201x, AX12001x
15	30111784	SP Cone Adapter O4A-LC kit, AX	
16	30111777	SP In User-Cover WO DS, AX	
17	30677383	Housing Bottom O4A with Bubble, AX (new)	For the new Loadcell
NS	83033669	Box, Topload, EX, AX	
NS	30111791	SP Package W/O DS AX	

Note: Since May 2021, LC has been updated for the models AX5202 and AX8201 (no change on AX8201BR), the new LC should use with the new bottom housing 30677383.



Drawing Item	Part Number	Description	Comments
1	30111765	SP Pan Trapezoid, AX	
2	30111794	SP Pan Support kit SG, AX	For the old AX8201x/E
	30111766	SP Pan Support kit Trapezoid, AX	For the new AX8201x/E, AX12001x/E
3	30111767	SP Plate EMC W/O DS, AX	
4	30111795	SP Wind-Ring W/O-DS, AX	
5	30111775	SP Housing Top W/O DS, AX	
6	30111768	SP Keypad EN, AX	
6	30111769	SP Keypad CN, AX	
6	30111770	SP Keypad JP, AX	
6	30111771	SP Keypad RU, AX	
6	30111803	SP Keypad GRAIN, AX	
7	30111772	SP LCD 4.3-with-cable-TP, Axm (req new Keypad)	
8	30111778	SP Shield LC Ferrite, AX	
9	30111780	SP PCBA RS, AX	
10	30111783	SP Cable kit, AX	
11	30111785	SP feet 4pcs kit, AX	
12	30111779	SP PCBA Main, AX	
13	30111776	SP Bubble Kit, AX	
14	30111800	SP Load Cell LSVKN8000G1-2C, AX8201/E	For the old AX8201x/E
	30678421	Load Cell OSOAN12000G1/ OSOAN8000G1 (new)	For the new AX8201x/E, AX12001x/E
15	30111777	SP In User-Cover WO DS, AX	
16	30576056	Housing Bot-O4A AX	
	30677383	Housing Bottom O4A with Bubble, AX (new)	For the new Loadcell
NS	83033669	Box, Topload, EX, AX	
NS	30111791	SP Package W/O DS AX	

Note: Since May 2021, LC has been updated for the models AX8201/E, the new LC should use with the new bottom housing 30677383 and new pan 30111766

Drawing Item	Part Number	Description
NS	30529325	PWR,W,IN,10W,12VDC,S21x55x10x100,S (Adapter only without plug)
NS	30007680	PWR,ACCES,AC-PRONG,RPC-CHINA (Plug only)
NS	46001776	PWR,ACCES,AC-PRONG,US (Plug only)
NS	30529326	PWR,ACCES,AC-PRONG,RPH-KOREA (Plug only)
NS	30529327	PWR,ACCES,AC-PRONG,EU (Plug only)
NS	30529348	PWR,ACCES,AC-PRONG,AU (Plug only)
NS	30529349	PWR,ACCES,AC-PRONG,UK (Plug only)