

OMNIVUE LED MAGNIFICATION & INSPECTION LIGHT

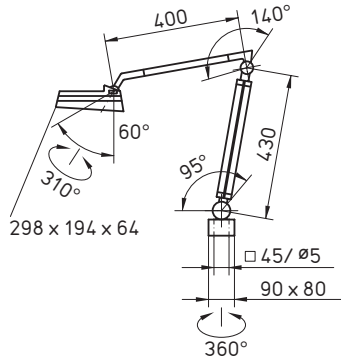


FEATURES:

- Glare-free – Three lighted sections with 3.5 watt LED modules. Interchangeable switching to allow two side sections for cross illumination.
- Magnifying lens tilts independently of the light source for optimum positioning
- 3-diopter (1.75X) magnifying lens is made from optical quality glass
- Solid one-piece robust arm construction allows OMNIVUE LED to stay in place
- Both OMNIVUEMAX LED with a 43" extended reach arm or OMNIVUE LED with a 35" reach are ideal for production benches and workstations
- Two optional Add-x lenses are available for additional magnification up to 15 diopters

SPECIFICATIONS:

Voltage	120V, 50/60Hz
Light Source	LED
Operation	multi-level switching
Lumens	1500
Magnification	3 diopters (1.75X)
Color Temperature	5000K
CRI	>80
Lens Dimension	4.2" x 6.4"
Arm Reach	35" or 43"
Power Consumption	13.2/12W
Protection Rating	IP20
Certification	ETL/cETL
Cord/Plug	10' cord with plug
Various mounting options and accessories available	



Measurements in millimeters

OMNIVUE LED features the same distinctive fully-rotational magnifier lens that has made the OMNIVUE so popular for many years. Now equipped with the latest LED technology - this design offers precise positioning, a choice of light outputs with a touch of a switch, and now with instant on and maintenance-free operation.



ORDERING INFORMATION

Wattage	Arm Reach	Plug Type	Magnification	Lumens	Color Temp.	Model	Part #
13W	35"	2-prong	3 diopters (1.75X)	1500	5000K	OMNIVUE LED	113178005
13W	43"	2-prong	3 diopters (1.75X)	1500	5000K	OMNIVUEMAX LED	113178006
12W	35"	3-prong	3 diopters (1.75X)	1500	5000K	OMNIVUE LED	113460005
12W	43"	3-prong	3 diopters (1.75X)	1500	5000K	OMNIVUEMAX LED	113460006

Mounting Options	Item	Dimensions	Part #
	Table clamp - with pin mount (included)	0" - 3.5" span	19102506940
	Table clamp (universal base required)	2.5" - 5.4" span	190033019-00014950
	Universal base for table/wall	2.4" x 2.4"	204090019
	Wall bracket - heavy duty (universal base required)	3" x 3"	226108019-00610754
	Table base rectangular, for pin mount	10" x 6.7" x 1"	190037019-00014968
	Floor stand with casters	26" base, height 35"	US1043019
	1/2" pin mount adapter	1.77" length	US0209022
	1/2" pin mount adapter	3.75" length	US0209012

Accessories	Item	Magnification	Part #
	Add-x lens	4 diopters (2X)	190 080 019
	Add-x lens	4d + 12d (2X + 4X)	190 080 029