

MOBILE LEADED BARRIER WITH 12" X 10" WINDOW

PRODUCT INFORMATION

PRODUCT INFORMATION

MOBILE LEADED BARRIER WITH 12" X 10" WINDOW | LB-1012



The Mobile Leaded Barrier with 12" x 10" Window is a portable, full-body radiation barrier designed to protect against secondary radiation. It features 2.0mm lead equivalent opaque panels of solid, leaded x-ray protection. Its 12" W x 10" H lead equivalency window is a viewing panel with 2.0mm lead equivalent Lead glass. Available in eight different sizes (24" x 72", 24" x 81", 30" x 72", 30" x 81", 36" x 72", 36" x 81", 45" x 72", and 45" x 81"), this Phillips Safety leaded barrier travels easily on its four-caster locking base steel legs. The window centers are 60" from the bottom of the panel and it is recommended that two people move the barrier together at all times. Please note that 81" high barriers may not fit through all doorways, therefore make sure you have selected the correct size.

SPECIFICATION

MATERIAL: Lead Glass, Opaque Panel

WINDOW SIZE: 12" x 10"

BARRIER AVAILABLE SIZES: 24" x 72",
24" x 81", 30" x 72", 30" x 81", 36" x 72",
36" x 81", 45" x 72", and 45" x 81"

PROTECTION LEVEL: 2.0mm Pb LE

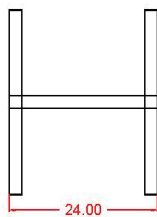
FEATURES: Portable, Four-caster locking base,
Steel legs, Open Base Design, Heavy Duty

PRODUCT INFORMATION

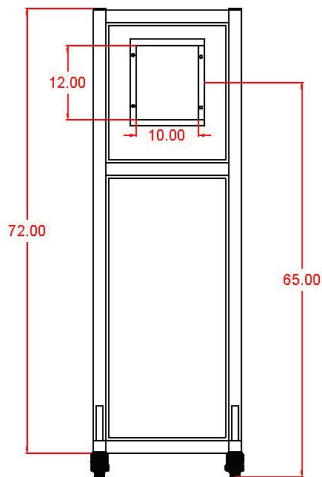
MOBILE LEADED BARRIER WITH 12" X 10" WINDOW | LB-1012-2472

**Mobile Leaded Barrier
with 12" x 10" WINDOW**

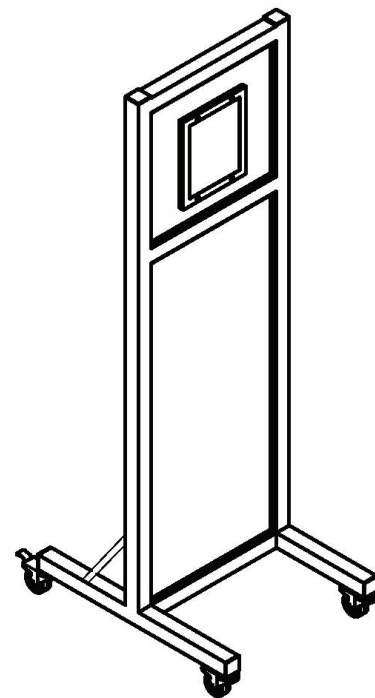
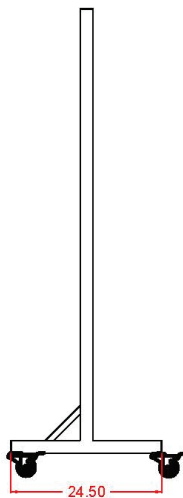
Top



Front



Side



LB-2472

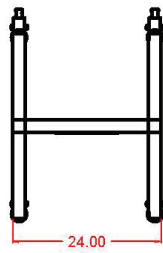
SCALE: 1/2" = 1'

PRODUCT INFORMATION

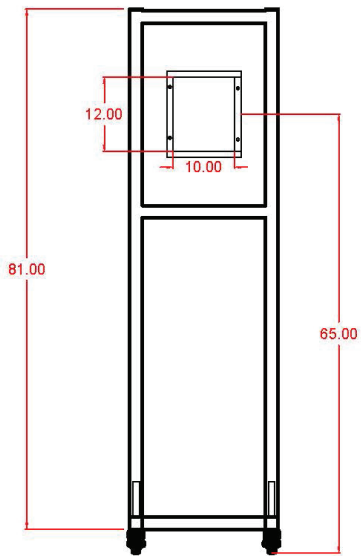
MOBILE LEADED BARRIER WITH 12" X 10" WINDOW | LB-1012-2481

**Mobile Leaded Barrier
with 12" x 10" WINDOW**

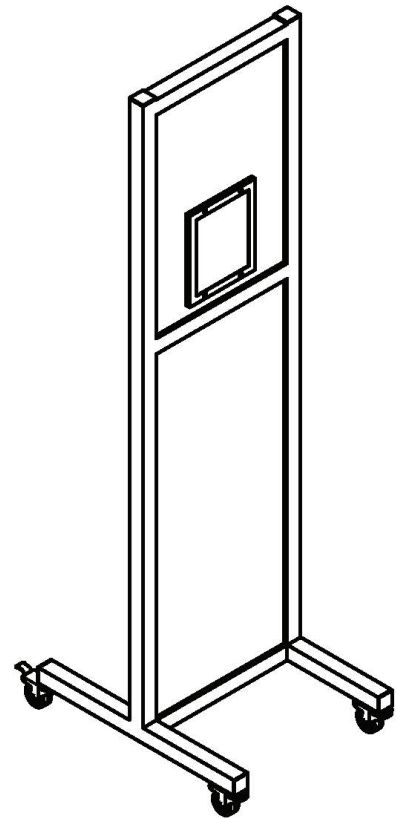
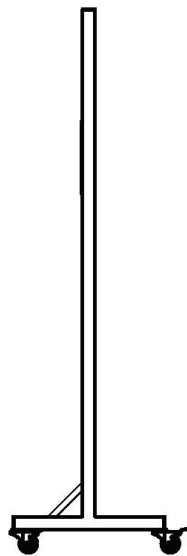
Top



Front



Side



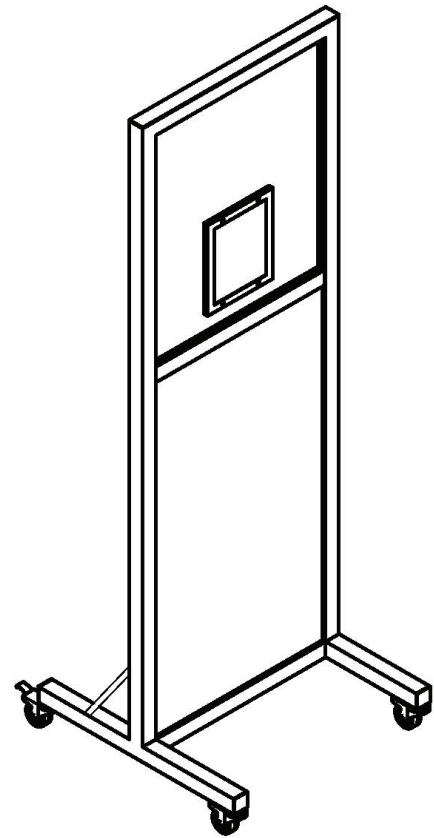
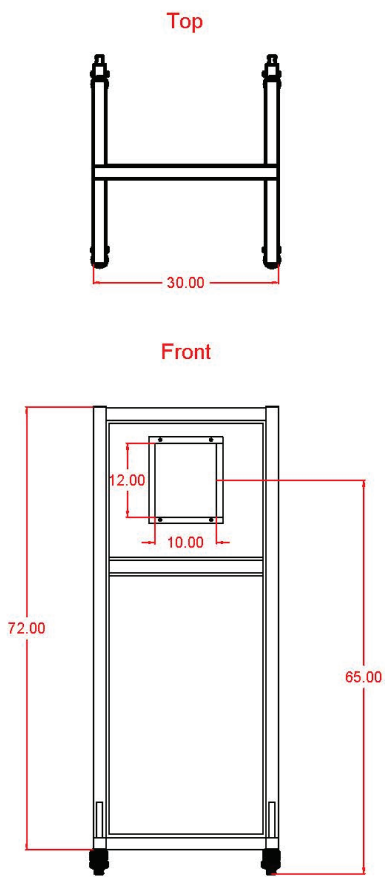
LB-2481

SCALE: 1/2" = 1'

PRODUCT INFORMATION

MOBILE LEADED BARRIER WITH 12" X 10" WINDOW | LB-1012-3072

**Mobile Leaded Barrier
with 12" x 10" WINDOW**



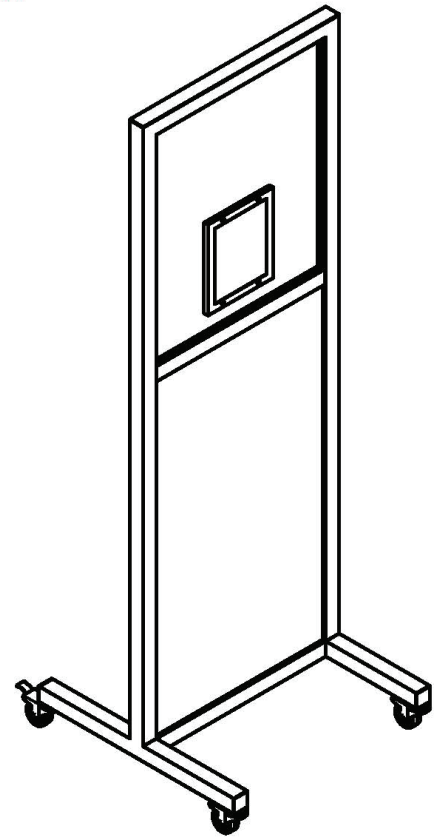
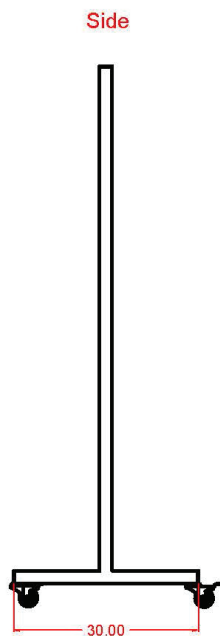
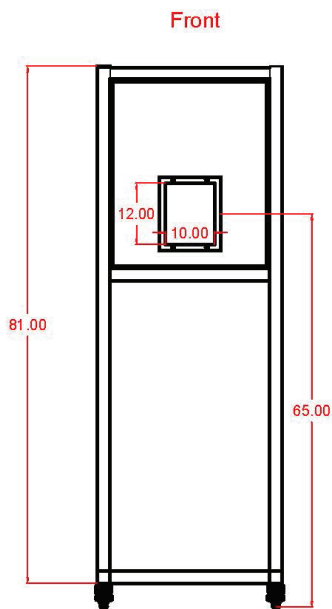
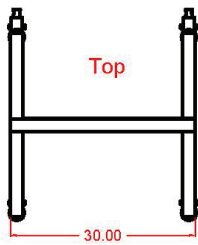
LB-3072

SCALE: 1/2" = 1'

PRODUCT INFORMATION

MOBILE LEADED BARRIER WITH 12" X 10" WINDOW | LB-1012-3081

**Mobile Leaded Barrier
with 12" x 10" WINDOW**



LB-3081

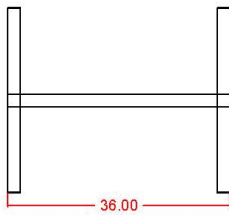
SCALE: 1/2" = 1'

PRODUCT INFORMATION

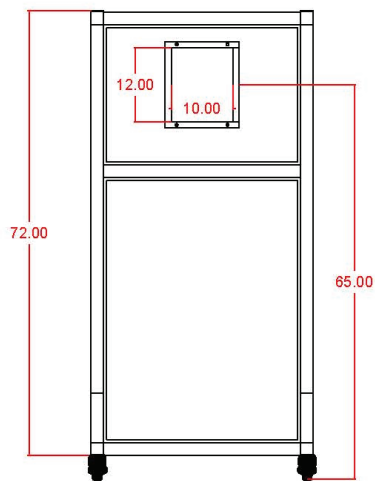
MOBILE LEADED BARRIER WITH 12" X 10" WINDOW | LB-1012-3672

**Mobile Leaded Barrier
with 12" x 10" WINDOW**

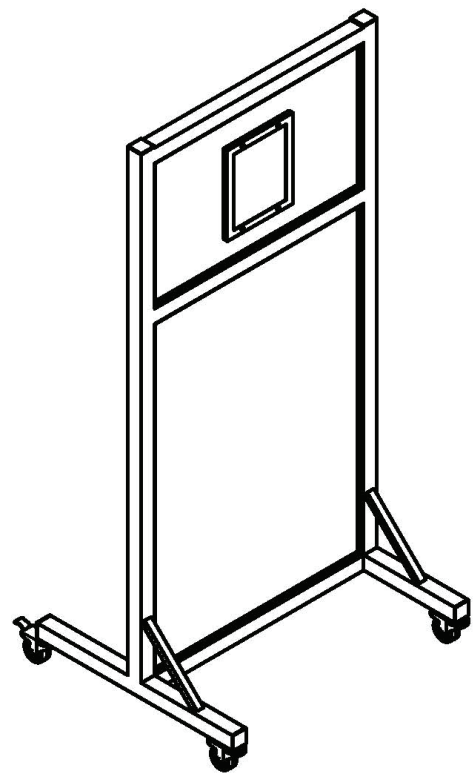
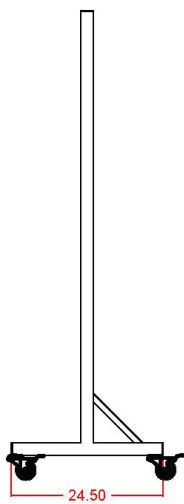
Top



Front



Side



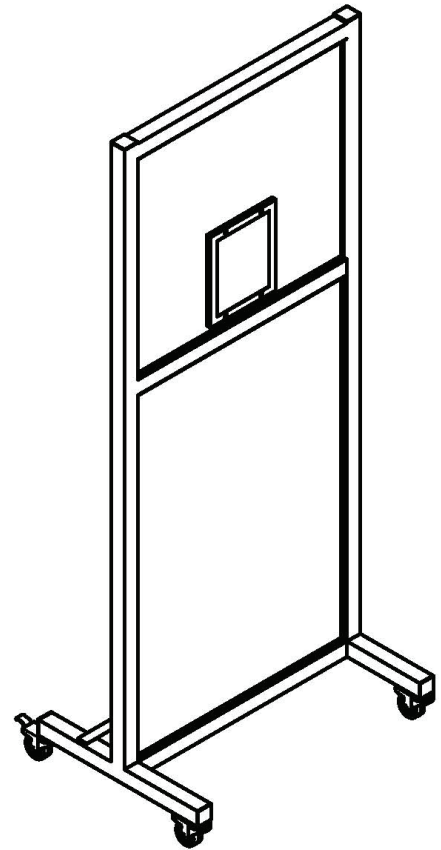
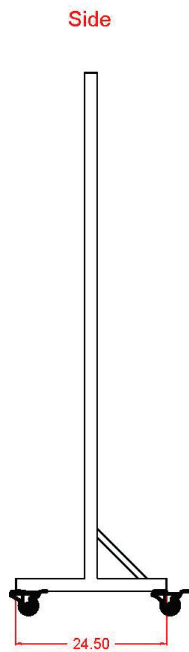
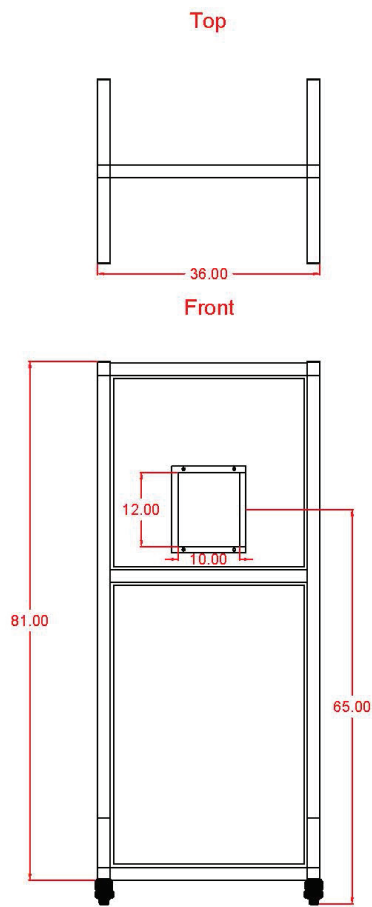
LB-3672

SCALE: 1/2" = 1'

PRODUCT INFORMATION

MOBILE LEADED BARRIER WITH 12" X 10" WINDOW | LB-1012-3681

**Mobile Leaded Barrier
with 12" x 10" WINDOW**



LB-3681

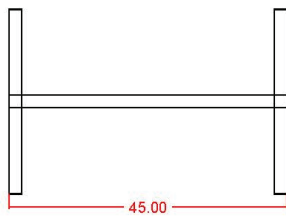
SCALE: 1/2" = 1'

PRODUCT INFORMATION

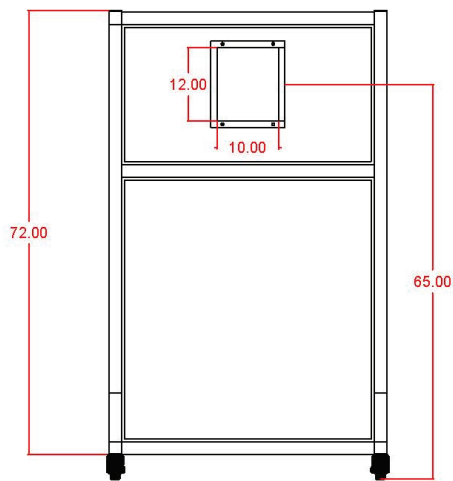
MOBILE LEADED BARRIER WITH 12" X 10" WINDOW | LB-1012-4572

**Mobile Leaded Barrier
with 12" x 10" WINDOW**

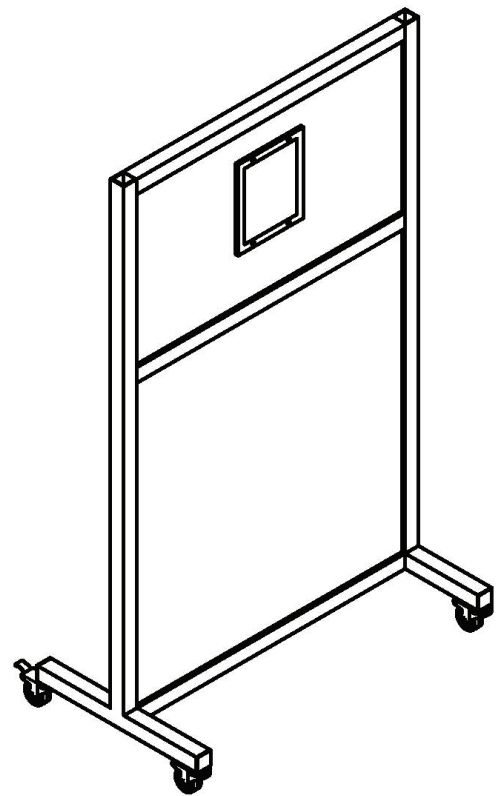
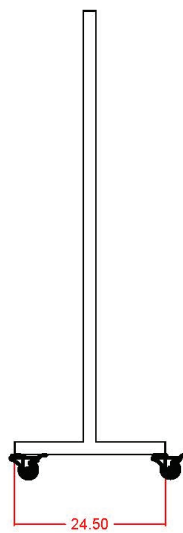
Top



Front



Side



LB-4572

SCALE: 1/2" = 1'

PRODUCT INFORMATION

MOBILE LEADED BARRIER WITH 12" X 10" WINDOW | LB-1012-4581

**Mobile Leaded Barrier
with 12" x 10" WINDOW**

