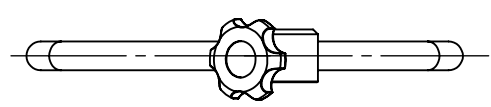
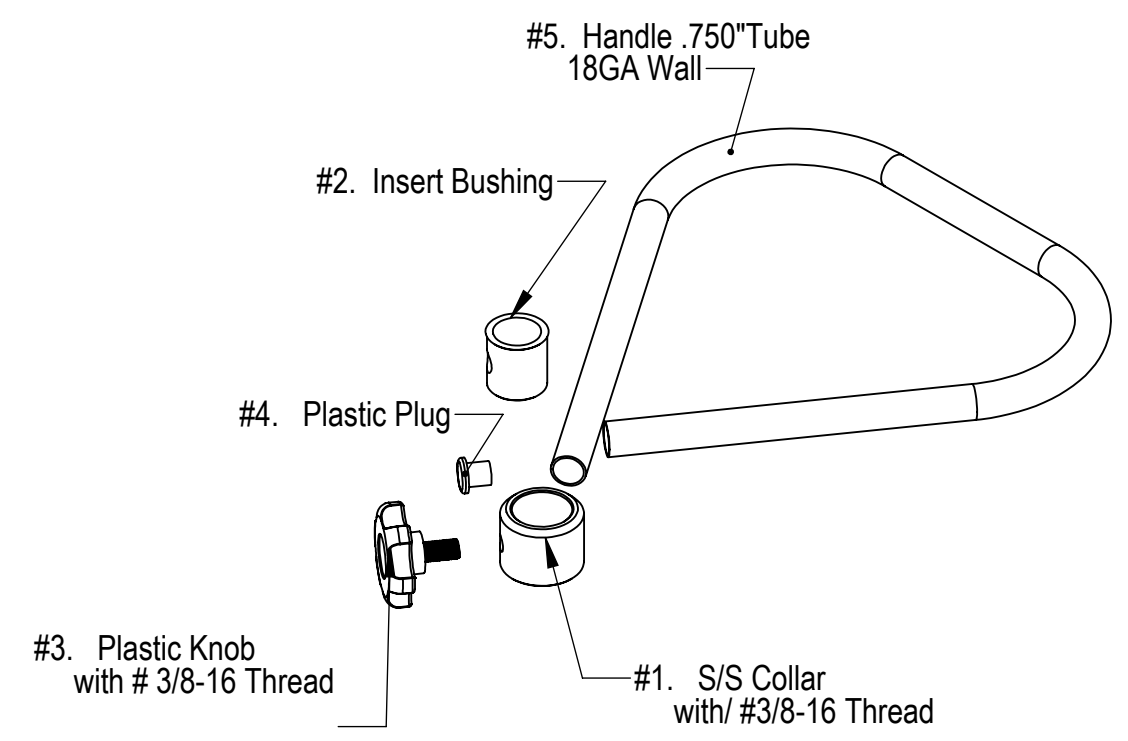
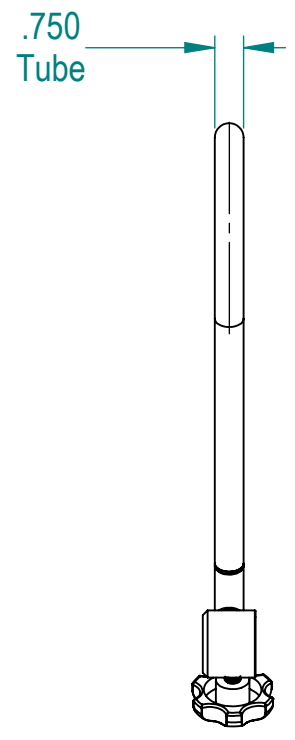
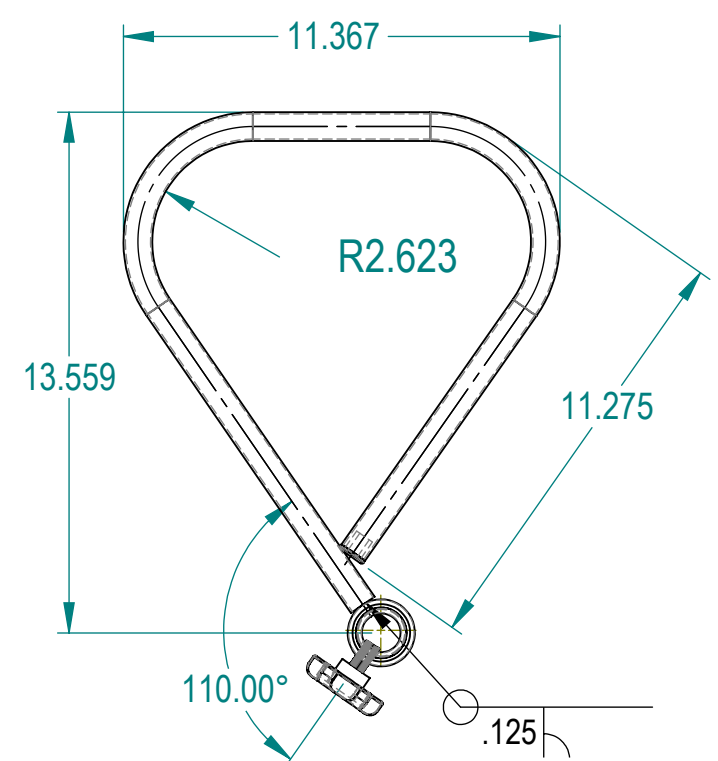


Rev	Description	Date	Approval
EA	BI Baseline	07/10/12	



		NAME	DATE	BLICKMAN INDUSTRIES, LLC CLIFTON, N.J.		
		DRAWN	M.J 07/10/2012			
PO#: _____ DATE: _____ APPROVAL: _____ TITLE: _____		ENG APPR.		TITLE: 1381 SS Handle, IV Stand		
PROPRIETARY AND CONFIDENTIAL THE INFORMATION CONTAINED IN THIS DRAWING IS THE SOLE PROPERTY OF BLICKMAN HEALTH INDUSTRIES. ANY REPRODUCTION IN PART OR AS A WHOLE WITHOUT THE WRITTEN PERMISSION OF BLICKMAN HEALTH INDUSTRIES IS PROHIBITED.		MATERIAL Stainless Steel				
UNLESS OTHERWISE SPECIFIED: DIMENSIONS ARE IN INCHES BEND RADIUS = MTL. THK. TOLERANCES: FRACTION: ±1/8" DECIMAL: ±.125"		FINISH	N/A	SIZE	PART NO.	REV
		APPR WEIGHT = 1.585 lbs		B	3501381000	EA
		DO NOT SCALE DRAWING	SCALE: 1:5	SHEET 1 OF 1		