

LED EXIT SIGN

IMPORTANT SAFEGUARDS

WHEN USING ELECTRICAL EQUIPMENT, BASIC SAFETY PRECAUTIONS SHOULD ALWAYS BE FOLLOWED INCLUDING THE FOLLOWING:

READ AND FOLLOW ALL SAFETY INSTRUCTIONS

- 1) DO NOT USE OUTDOORS.
- 2) DO NOT LET POWER SUPPLY CORDS TOUCH HOT SURFACES.
- 3) DO NOT MOUNT NEAR GAS OR ELECTRIC HEATERS.
- 4) USE CAUTION WHEN SERVICING BATTERIES. BATTERY ACID CAN CAUSE BURNS TO SKIN AND EYES. IF ACID IS SPILLED ON SKIN OR IN EYES FLUSH WITH FRESH WATER AND CONTACT PHYSICIAN IMMEDIATELY.
- 5) EQUIPMENT SHOULD BE MOUNTED IN LOCATIONS AND AT HEIGHTS WHERE IT WILL NOT BE READILY SUBJECTED TO TAMPERING BY UNAUTHORIZED PERSONNEL.
- 6) THE USE OF ACCESSORY EQUIPMENT NOT RECOMMENDED BY THE MANUFACTURER MAY CAUSE AN UNSAFE CONDITION.
- 7) DO NOT USE THIS EQUIPMENT FOR OTHER THAN INTENDED USE.
- 8) CAUTION: SEALED LAMPS MAY HAVE INNER HALOGEN CYCLE BULB. THIS PRESSURE FILLED INNER BULB COULD SHATTER IF SCRATCHED OR DAMAGED. IF THE OUTER SEALED BEAM IS INTACT, THIS WILL BE NO PROBLEM. IF THE OUTER SEALED ENVELOPE IS BROKEN DO NOT OPERATE BUT REMOVE AND DISPOSE OF LAMP WITH CARE.

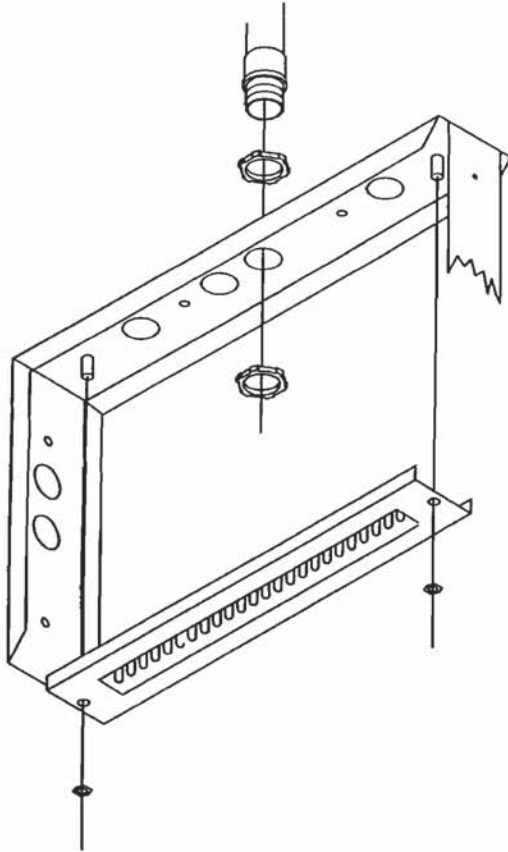
SAVE THESE INSTRUCTIONS

MOUNTING INSTRUCTIONS:

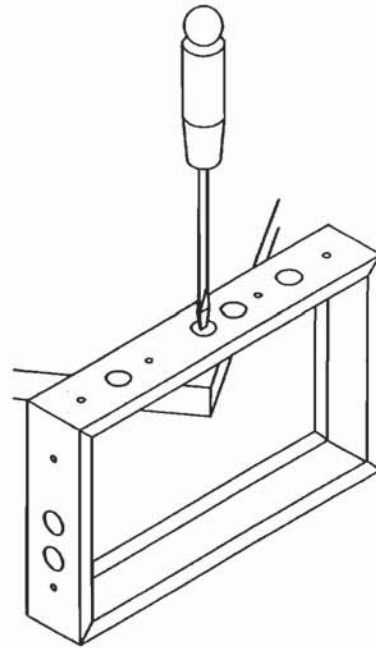
- 1) FOR BACK MOUNTED UNITS REMOVE THE APPROPRIATE KNOCKOUTS LOCATED ON THE BACK OF THE EXIT SIGN HOUSING AND MOUNT TO THE JUNCTION BOX. ROUTE UNSWITCHED WIRES INTO UNIT AND SKIP INSTRUCTIONS (2-7).
- 2) FOR TOP AND SIDE MOUNTED UNITS REMOVE THE APPROPRIATE KNOCKOUTS LOCATED ON THE TOP OR SIDE OF THE EXIT SIGN HOUSING (OR USE HOLES PROVIDED) FOR MOUNTING THE CANOPY.
- 3) FASTEN CANOPY TO EXIT SIGN HOUSING AS SHOWN USING SHORT SCREWS AND NUTS PROVIDED.
- 4) SCREW LONG SCREWS ALL THE WAY INTO THE UNIVERSAL MOUNTING PLATE IN THREADED HOLES SHOWN IN DIAGRAM.
- 5) MOUNT UNIVERSAL MOUNTING PLATE WITH LONG SCREWS FACING OUT TO THE JUNCTION BOX.
- 6) ROUTE UNSWITCHED AC WIRES INTO UNIT.
- 7) FASTEN EXIT SIGN HOUSING AND CANOPY TO THE UNIVERSAL MOUNTING PLATE AND JUNCTION BOX USING (2) ACORN NUTS PROVIDED.
- 8) CONNECT THE UNSWITCHED AC WIRES AS FOLLOWS:
FOR 120V UNITS: 120V TO BLACK WIRE AND COMMON TO WHITE WIRE.
FOR 277V UNITS: 277V TO VIOLET WIRE AND COMMON TO WHITE WIRE.
ISOLATE UNUSED BLACK (120V) OR VIOLET (277V) WIRE USING WIRE NUT PROVIDED ON THE VIOLET (277V) WIRE.
- 9) GROUND UNIT IN ACCORDANCE WITH THE REQUIREMENTS OF THE NATIONAL ELECTRICAL CODE USING GREEN GROUND WIRE PROVIDED.
- 10) ROUTE AND DRESS ALL WIRES AROUND PERIMETER OF THE EXIT SIGN HOUSING USING ADHESIVE WIRE RETAINER(S) SO THEY WILL BE OUT OF THE WAY.
- 11) ENERGIZE UNSWITCHED AC POWER SUPPLY, THE LED EXIT SIGN WILL ILLUMINATE.
- 12) IF YOU HAVE A BATTERY BACKUP UNIT MAKE BATTERY CONNECTION AND ALLOW BATTERY TO CHARGE FOR 24 HOURS. PRESS TEST SWITCH. LED LAMPS WILL MOMENTARILY BLINK AND THEN ILLUMINATE DURING TEST.
- 13) ATTACH END PLATE TO EXIT SIGN HOUSING WITH AUTO TRIM SCREWS.

NOTE: SERVICING SHOULD BE PERFORMED BY QUALIFIED SERVICE PERSONNEL

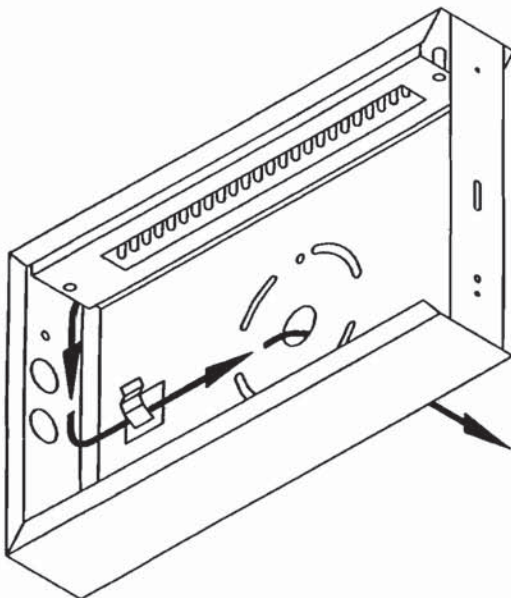
IMPORTANT INSTALLATION INFORMATION



WHEN INSTALLING DIRECTLY TO CONDUIT FROM THE TOP OF THE UNIT REMOVE LED ASSEMBLY. THREAD CONDUIT NUT ONTO FITTING BEFORE INSERTING INTO KNOCKOUT HOLE. SECURE FITTING TO UNIT WITH SECOND CONDUIT NUT LEAVING MINIMUM FITTING THREADS IN THE ENCLOSURE FOR THE LED LAMP ASSEMBLY TO BE REMOUNTED OVER.



WHEN REMOVING KNOCKOUTS SUPPORT HOUSING, FACEPLATE OR BACKPLATE AND REMOVE WITH SCREWDRIVER. (SOME UNITS MAY ALREADY HAVE MOUNTING HOLES)



ROUTE AND DRESS ALL WIRES AROUND PERIMETER OF THE EXIT SIGN HOUSING USING ADHESIVE WIRE RETAINER(S) SO THEY WILL BE OUT OF THE WAY.