

TECHNICAL MANUAL

0047-TM3, C-Arm Imaging Table



Introduction

Important note

Using the **Arcoma “Medstone-Elite”** Tables presupposes that the operating personnel is thoroughly familiar with the operating instructions, in particular:
There are many different versions ranging from a single movement to several movements.
This manual covers all types.

- Safety (page 3)
- Function and safety checks (page 5)
- Protective measures (page 9)

System modes of operation

System modes of operation

General

0047-Series mobile tables are used for imaging applications. The tables, depending on your option are provided with several actuators and motorized column giving the tables good movement range.

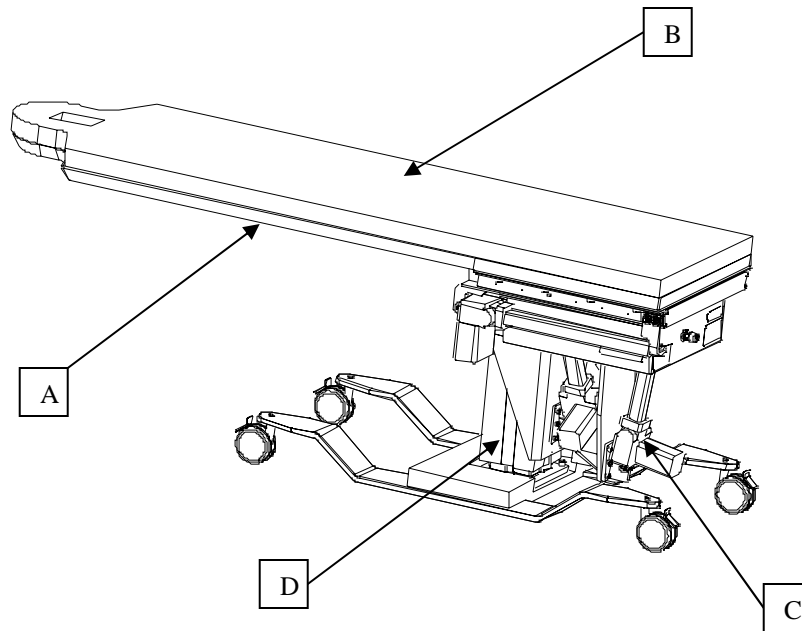


Figure 1. 0047-TM4 (shown)

A Table Top C Actuator
B Table Pad D Column

Range of application

The intended use of the table is for examinations and imaging ('C; Arm required)only. Medical staff must supervise the equipment when it is in use near the patient.

Safety

General

CAUTION! This device is restricted to use by or on the order of a physician. The device is intended for use in radiographic examinations under the guidance of trained health care professionals.

Operating personnel must be familiar with the equipment and the instructions given in this manual before using it.

Maintenance

To ensure the safety of the patients, the operators, and third parties, the equipment must be checked every 12 months to maintain its reliability and serviceability.

Checks, test

Checks and tests that shall be performed with specified intervals are described in *Function and safety checks (page 5)*

Installation, repair

Modifications of, or additions to the product must be made in accordance with the legal regulations and generally accepted engineering standards.

The supplier cannot assume responsibility for the safety features and for the reliability and performance of the equipment, if:

- installation, equipment expansions or modifications are not carried out by persons authorized by us.
- components affecting safe operation of the unit are not replaced by original spare parts in case of a malfunction.
- the product is not used in accordance with the operating instructions.

On request, we will make technical documents for the product available to you at a charge that will be invoiced. This does not imply an authorization to undertake repairs. We accept no responsibility for repairs performed without our expressed written approval.

We suggest that you obtain a report indicating the nature and extent of the work performed from the persons carrying out such work, and specify that the report shows any changes in rated parameters or operating ranges, as well as date, the name of the firm and a signature.

Cleaning

CAUTION! Surfaces that are in contact with the patient shall be cleaned with a lint free cloth dampened with a small amount of soapy water or cleaning solution.

Function and safety checks

If any malfunction is detected, the entire equipment must be taken out of use until a service engineer from the supplier eliminates the malfunction or by local technical staff trained by the supplier.

Daily checks

When necessary, clean according to *Cleaning (page 4)*.

Monthly checks

- Check the legibility of the label according to section *Location of Identification label (page 11)*. *If any label must be replaced, please notify the supplier customer service.*
- Power up the stand and check all functions according to *Technical Specifications (page 12)*.

Annual maintenance

The following maintenance is necessary to perform every 12 months to keep the equipment safe and operational.

- Power up the stand and check all functions according to *Technical Specifications (page 12)*.
- Check parts according to *Safety-relevant parts subject to wear (page 10)*.

Operating the table

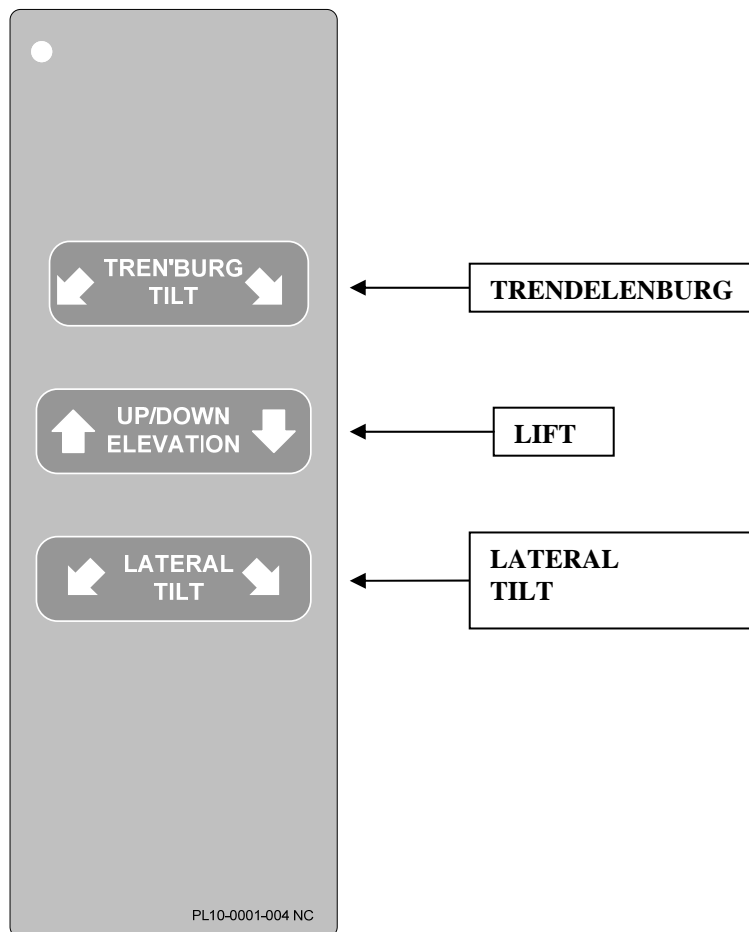
Operating the table

General

CAUTION! Make sure that all wheels are locked before the patient is placed on the table. USE OF PATIENT RESTRAINT IS REQUIRED DURING USE.

Controlling the table

The table movement is controlled with the hand switch in accordance with the following figures. Figure 2



0047-TM3-ER

Protective measures

Mechanical safety

It is the operator's duty to ensure that any danger to the patient or third parties is precluded before movements are released.

Possible hazard areas are indicated in the figure below.

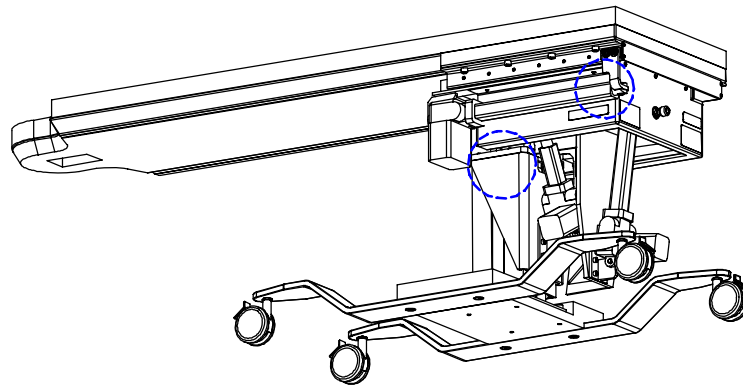


Figure 3. Possible Hazard Areas

Protective measures

Safety-relevant parts subject to wear

This unit contains the following safety-relevant parts, which should be checked by service personnel according to the following:

- Tightening of bolts:

<u>Bolt Size</u>	<u>Torque Tightness</u>
M6	6 Ft Lbs
M8	16 Ft Lbs
M12	60 Ft Lbs - Normal 30 Ft Lbs - Table Top
M4	21 In Lbs

Location of Identification label

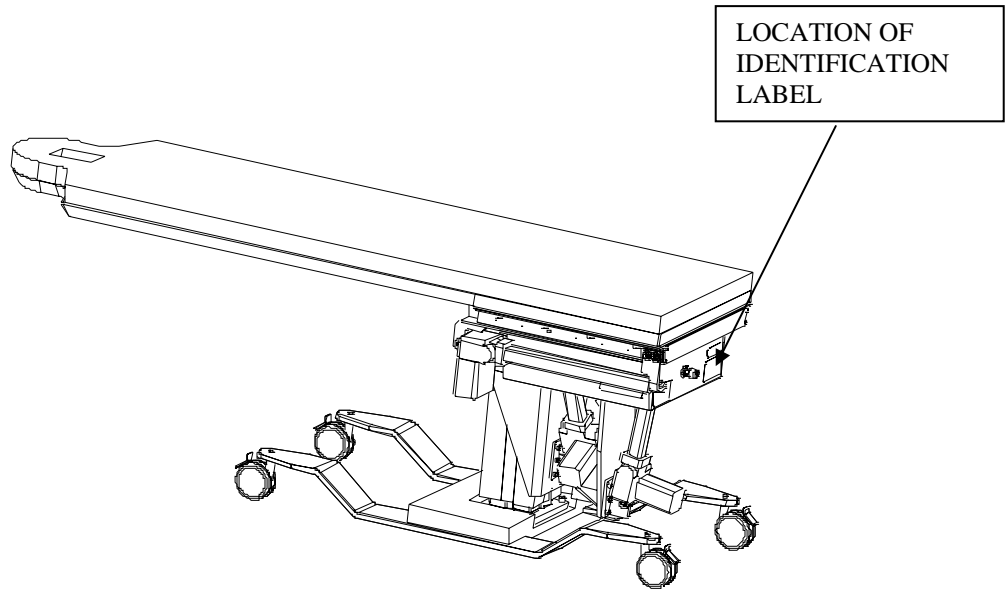


Figure 4. Location of Identification label

Technical specifications

Technical specifications

General

Table top size	22" (559 mm) x82" (2083 mm)					
Model number	0047-TE	0047-TT	0047-TL	0047TM3	0047-TM4	0047-TM5
Table top lateral rotation	N/A	N/A	$\pm 15^\circ$,	$\pm 15^\circ$,	$\pm 15^\circ$,	$\pm 15^\circ$,
Table top movement, vertical	300mm	300mm	300mm	300mm	300mm	300mm
Table top movement, Trendelenburg	N/A	$+15^\circ/-15^\circ$	N/A	$+15^\circ/-15^\circ$	$+15^\circ/-15^\circ$	$+15^\circ/-15^\circ$
Travel Longitudinal	N/A	N/A	N/A	N/A	400mm	400mm
Travel Lateral	N/A	N/A	N/A	N/A	N/A	200mm
Weight	500 lbs	550 lbs	550 lbs	600 lbs	650 lbs	650 lbs

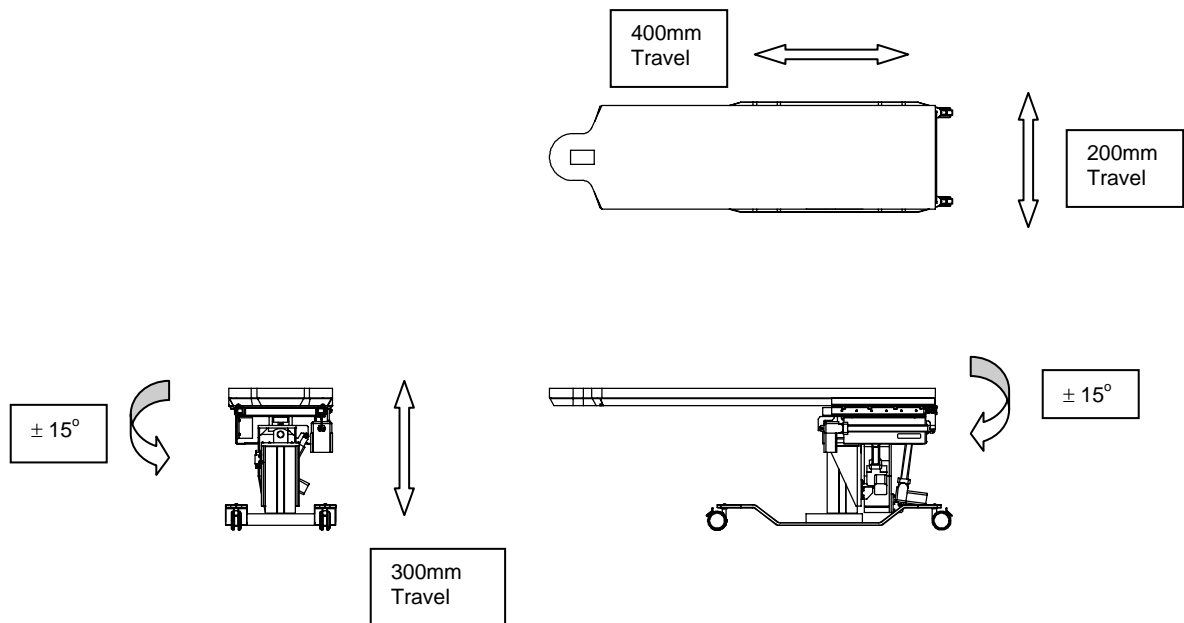


Figure 5. Table Movement Range

Technical specifications

External power supply

Power supply	120 VAC, 50 – 60 Hz or 230VAC, 50 Hz
Power consumption	9 Amps, 4.5 Amps

Operating environment

Operating temperature	+10° - +30° C
Storing temperature	-20° - +40° C
Operating and storing humidity	30 – 80 % relative humidity, non condensing
Patient weight limit	500 lbs, evenly distributed

Classifications

Protection against electrical shock	Type B according to degree of protection (IEC 601-1) Class 1 according to type of protection (IEC 601-1) EMC-disturbances can appear even if the product complies with the EMC demands
Duty factor	15%
Mode of operation	Continuous operation with intermittent loading
Degree of safety of application in the presence of flammable anaesthetic mixture with air or nitrous oxygen	Not suitable for use in the presence of flammable anaesthetic mixtures.