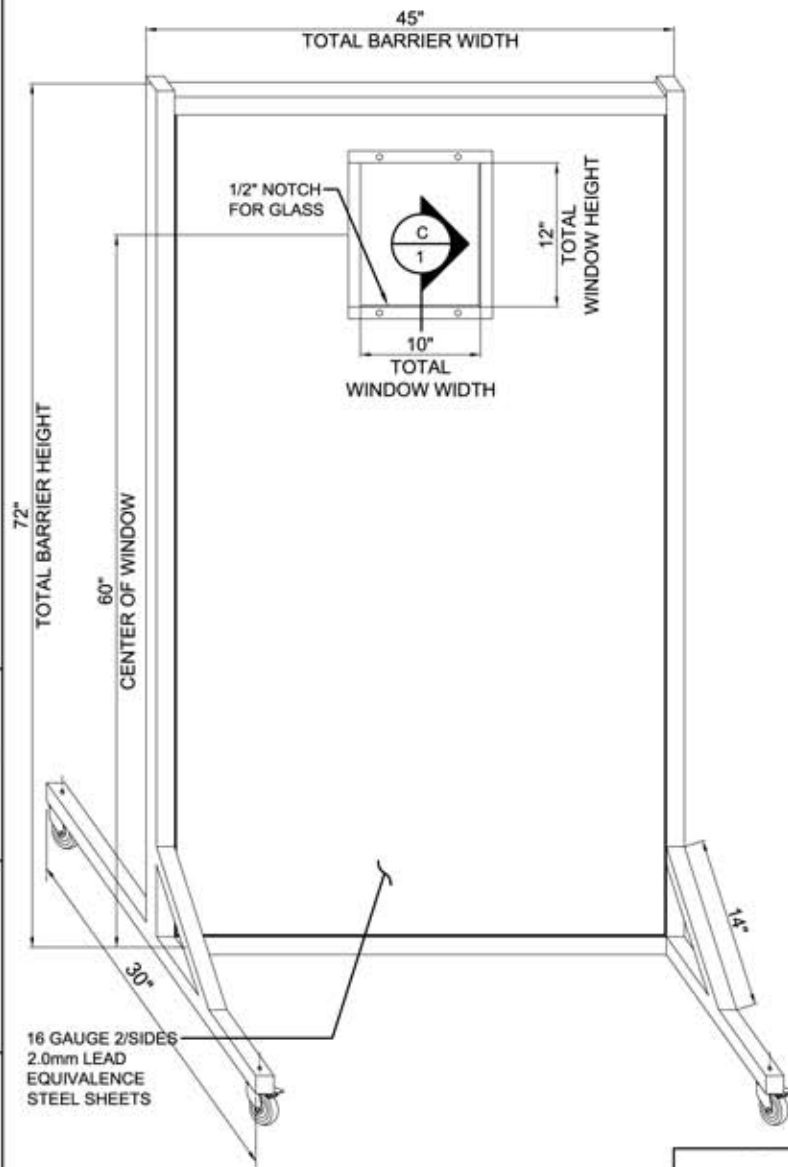
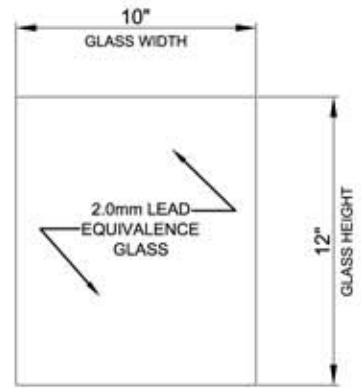


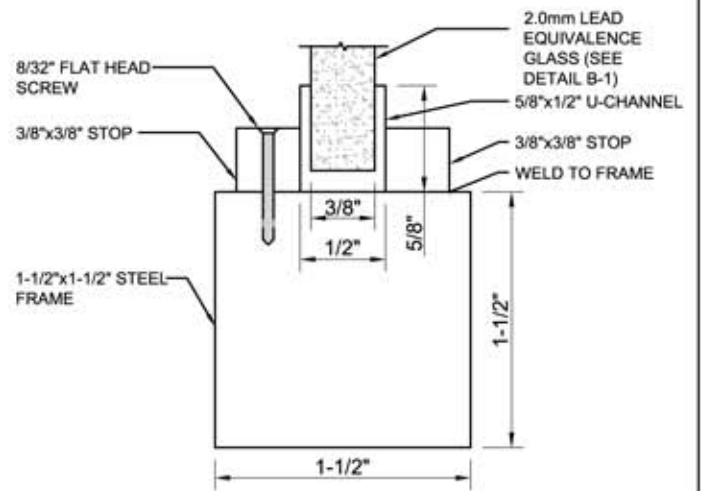
NOTES:



(A) BARRIER ELEVATION



(B) GLASS ELEVATION



(C) SECTION AT FRAME

MATERIAL:
STEEL WITH 2.0mm LEAD EQUIVALENCE

PAD PRINT COLOR:
2.0mm LEAD EQUIVALENCE GLASS

FRAME COLOR:
TAN

NOT TO SCALE

DWG No.	LB-4572	Rev.
P/N:	LB-4572	
DESC.	Opaque Mobile Leaded Barrier 45 in. x 72 in	