

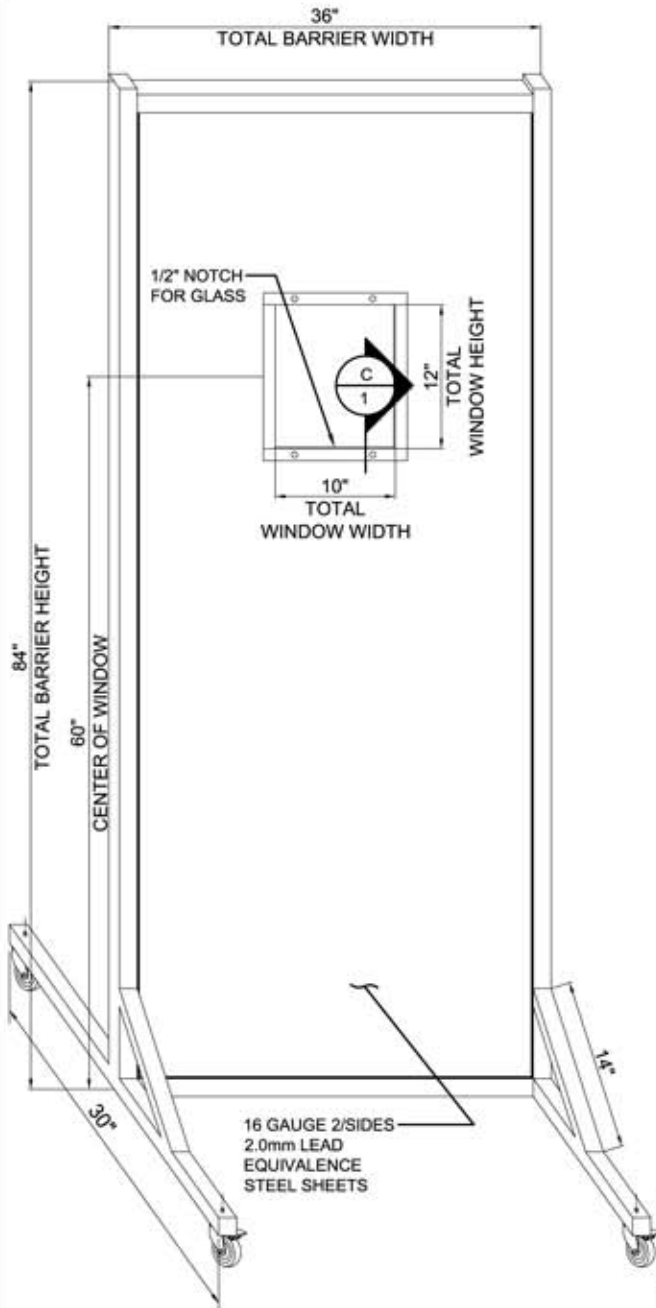
NOTES:

MATERIAL:
STEEL WITH 2.0mm LEAD EQUIVALENCE

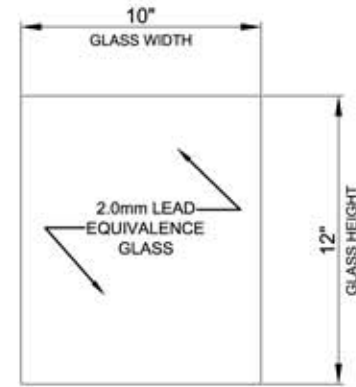
PAD PRINT COLOR:
2.0mm LEAD EQUIVALENCE GLASS

FRAME COLOR:
TAN

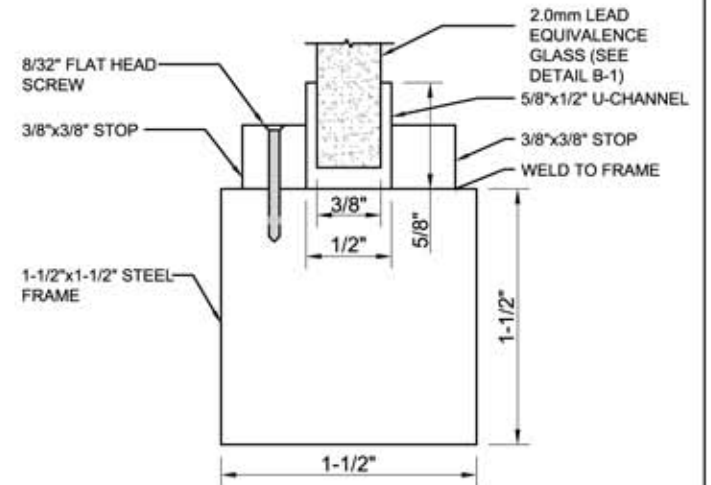
NOT TO SCALE



(A)
1 BARRIER ELEVATION



(B)
1 GLASS ELEVATION



(C)
1 SECTION AT FRAME

DWG No.	LB-3684	Rev.
P/N:	LB-3684	
DESC.	Opaque Mobile Leaded Barrier 36 in. x 84 in	