

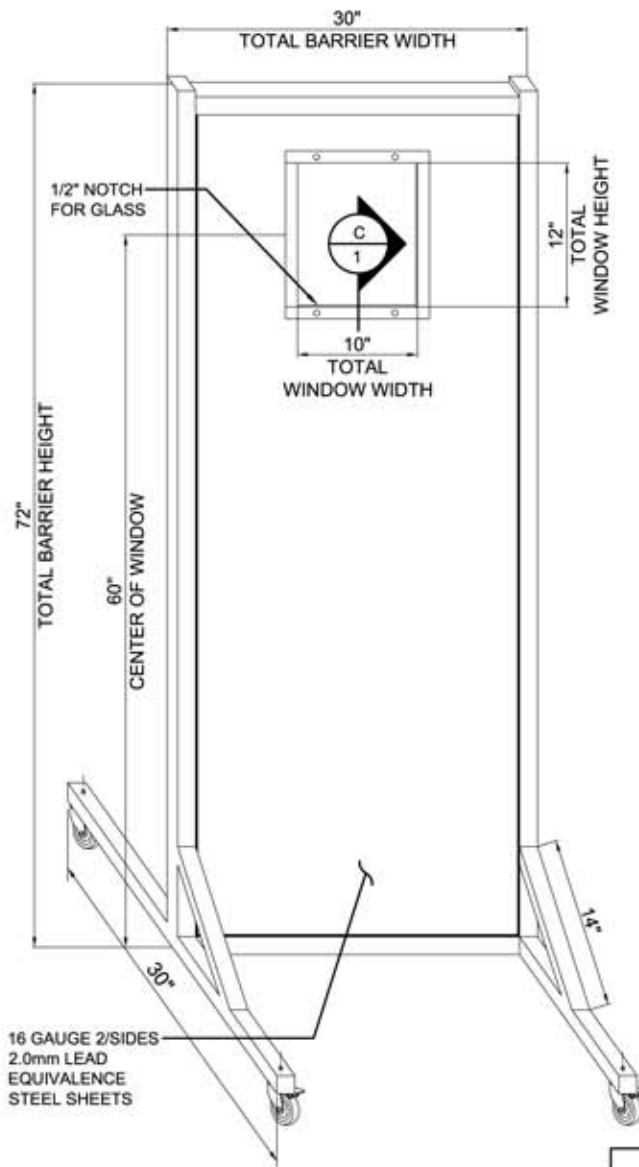
NOTES:

**MATERIAL:**  
STEEL WITH 2.0mm LEAD EQUIVALENCE

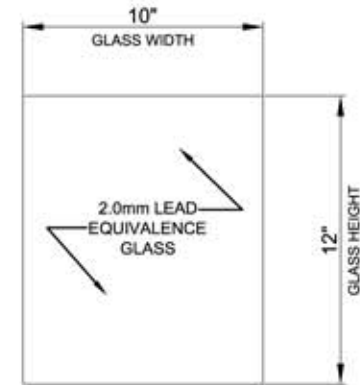
**PAD PRINT COLOR:**  
2.0mm LEAD EQUIVALENCE GLASS

**FRAME COLOR:**  
TAN

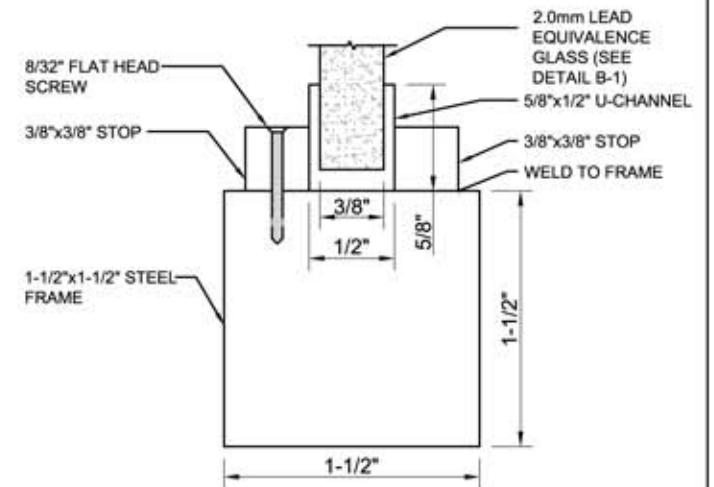
NOT TO SCALE



**(A) BARRIER ELEVATION**  
1



**(B) GLASS ELEVATION**  
1



**(C) SECTION AT FRAME**  
1

	DWG No.	LB-3072	Rev.
	P/N:	LB-3072	
	DESC.	Opaque Mobile Leaded Barrier 30 in. x 72 in	